



## The New Road Collection.

**NOBILIS**®  
The Best Technology for Water

Single lever basin mixer

RD00118/1 CR

Available finishes

CR Chrome

BC White + Chrome

NC Black + Chrome





External bath / shower mixer

RD00110 CR

Available finishes

CR Chrome

BC White + Chrome

NC Black + Chrome

External shower thermostatic mixer

RD00030 CR

Available finishes

CR Cromo







Shower column with head shower ø 200 mm

RD00131 CR

Available finishes

CR Chrome

BC White + Chrome

NC Black + Chrome

Single lever sink mixer

RD00133 CR

Available finishes

CR Chrome

BC White + Chrome

NC Black + Chrome





Single lever sink mixer

RD00300/3 CR

Available finishes

CR Chrome

BC White + Chrome

NC Black + Chrome



NOBILI

Single lever basin mixer with energy saving

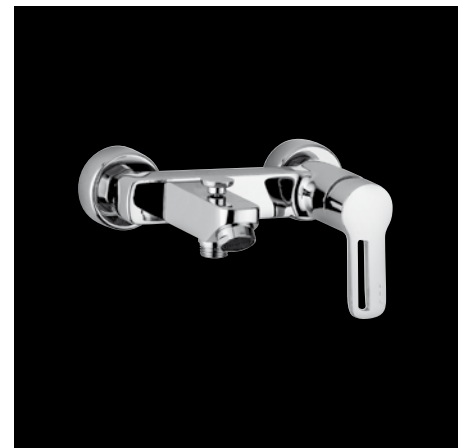
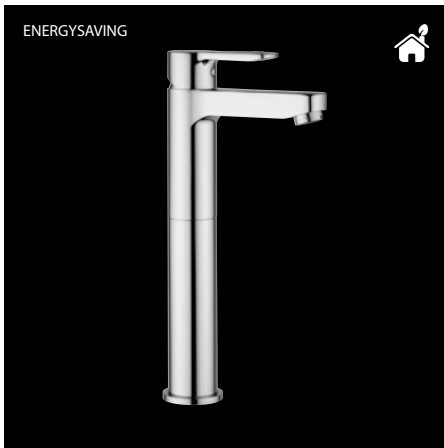
RDE00118/1 CR

Available finishes

CR Chrome



Maximum respect. For you and your family, for the earth. Nobili's Energysaving technology offers the possibility to avoid energy and money waste. Every day. When the handle is in central position the mixer supplies only cold water, instead of the mixed cold-hot one: this process avoids the boiler's ignition, reducing hot water consumption, saving money and preventing the release of combustion residual smoke into the environment.



RD00118/1 CR  
Single lever basin mixer, anti-limestone aerator  
M 24 x 1, waste 1 1/4", ø 3/8" stainless steel flexible  
hoses.

RDE00118/1 CR  
Single lever basin mixer with energy saving,  
anti-limestone aerator M 24 x 1, waste 1 1/4",  
ø 3/8" stainless steel flexible hoses.

RD00128/2 CR  
Single lever high basin mixer, anti-limestone aerator  
M 24 x 1, waste 1 1/4", ø 3/8" stainless steel flexible  
hoses.

RDE00128/2 CR  
Single lever high basin mixer with energy saving,  
anti-limestone aerator M 24 x 1, waste 1 1/4",  
ø 3/8" stainless steel flexible hoses.

RD00338/2 CR  
Single lever basin mixer, swivel spout,  
anti-limestone aerator M 22 x 1, waste 1 1/4",  
ø 3/8" stainless steel flexible hoses.

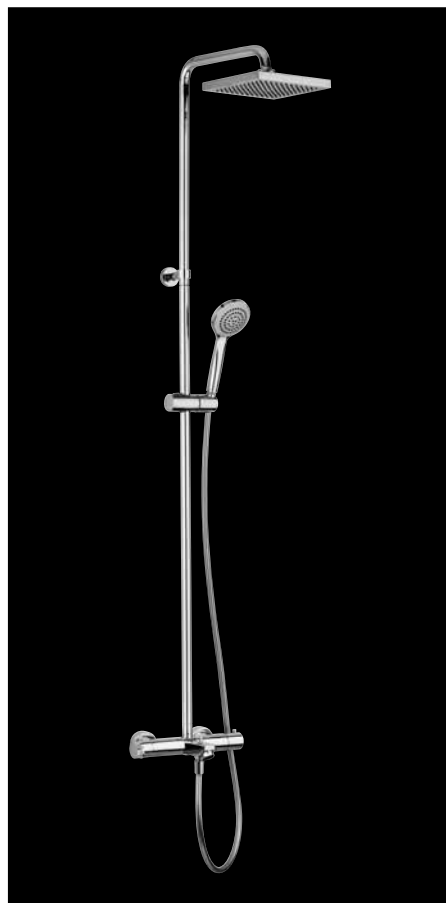
RD00119/1 CR  
Single lever bidet mixer, adjustable jet,  
anti-limestone aerator M 22 x 1, waste 1 1/4",  
ø 3/8" stainless steel flexible hoses.

RD00118/10 CR  
Single lever bath mixer, automatic diverter,  
anti-limestone aerator M 24 x 1.

RD00110 CR  
External bath / shower mixer, wheelbase 150 ± 20,  
automatic diverter, anti-limestone aerator  
M 28 x 1, 1-jet hand shower.

RD00110/1 CR  
Eternal bath / shower mixer, wheelbase 150 ± 20,  
automatic diverter, anti-limestone aerator  
M 28 x 1.





RD00010 CR  
External bath thermostatic mixer, wheelbase  
150 ± 20, anti-limestone aerator M 28 x 1, safety  
block at 38°.

RD00130 CR  
External shower mixer wheelbase 150 ± 20,  
1/2"connection.

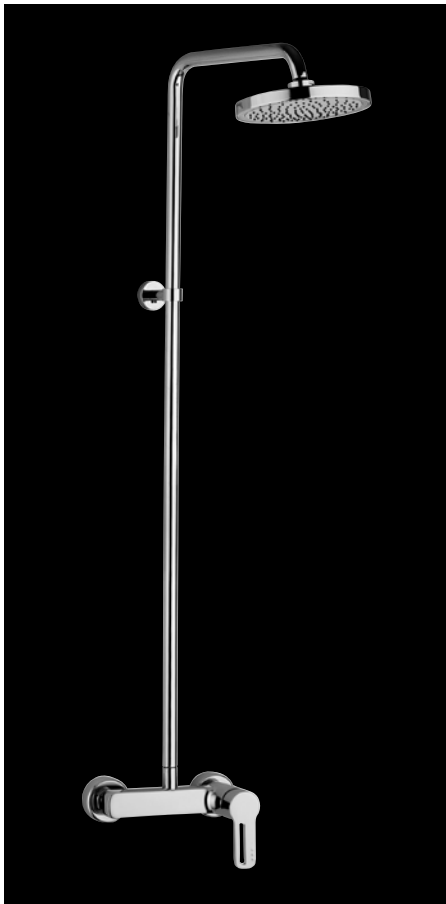
RD00030 CR  
External shower thermostatic mixer, wheelbase  
150 ± 20, safety block at 38°.

RD00100 CR  
Built-in shower mixer, automatic diverter.

RD00010/30 CR  
External bath thermostatic column, wheelbase  
150 ± 20, safety block at 38°, anti-limestone  
aerator M 28 x 1, shower head ø 200 mm,  
1-jet hand-shower.

RD00108 CR  
Built-in shower mixer.

RD00010/31 CR  
External bath thermostatic column, wheelbase  
150 ± 20, safety block at 38°, anti-limestone  
aerator M 28 x 1, shower head 200 x 200 mm,  
1-jet hand-shower.



RD00131 CR  
Shower column, wheelbase  $150 \pm 20$ , shower head  $\varnothing 200$  mm.



RD00531 CR  
Shower column, wheelbase  $150 \pm 20$ , shower head  $200 \times 200$  mm.



RD00130/30 CR  
External single lever shower column, wheelbase  $150 \pm 20$ , shower head  $\varnothing 200$  mm, 1-jet hand-shower.



RD00133 CR  
Single lever sink mixer, swivel spout, anti-limestone aerator M  $16 \times 1$ ,  $\varnothing 3/8$ " stainless steel flexible hoses.



RD00134 CR  
Single lever sink mixer, swivel spout, anti-limestone aerator M  $16 \times 1$ ,  $\varnothing 3/8$ " stainless steel flexible hoses.



RD00137/1 CR  
Single lever sink mixer, swivel spout, pull-out hand-shower, anti-limestone aerator M  $22 \times 1$ ,  $\varnothing 3/8$ " stainless steel flexible hoses.



RD00130/31 CR  
External single lever shower column, wheelbase  
150 ± 20, shower head 200 x 200 mm, 1-jet  
hand-shower.



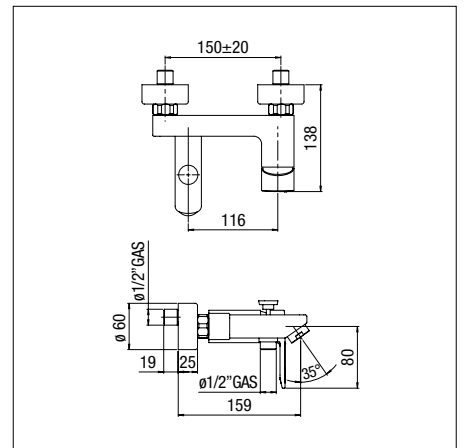
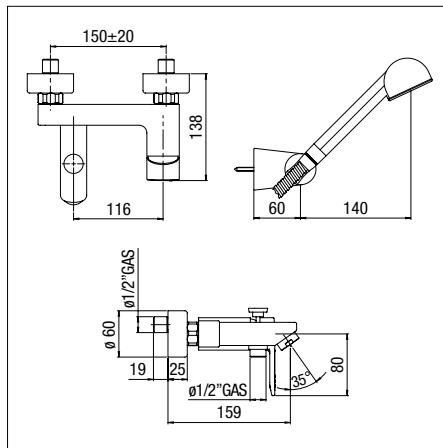
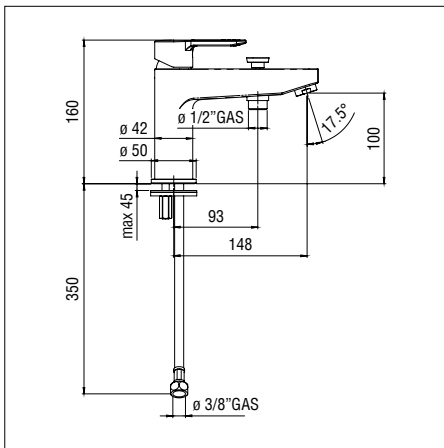
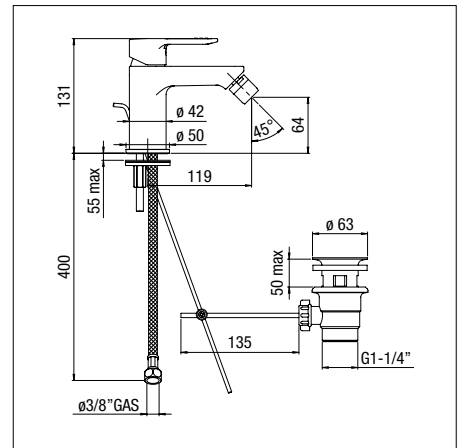
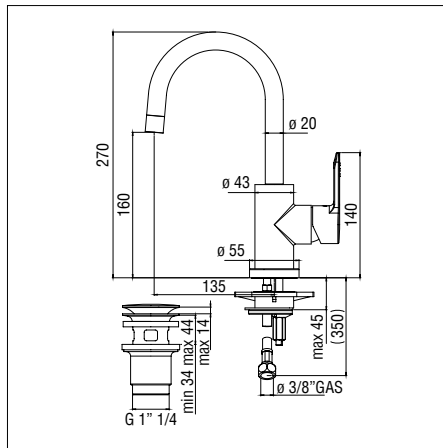
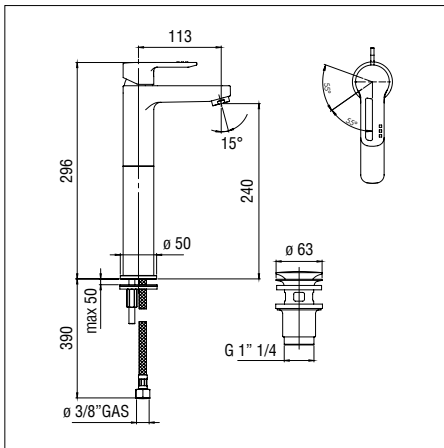
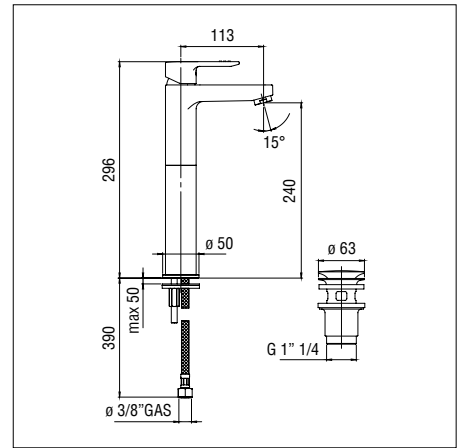
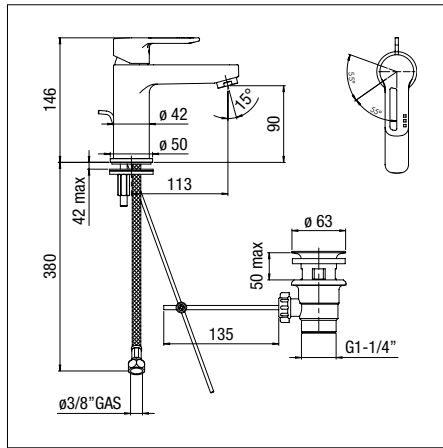
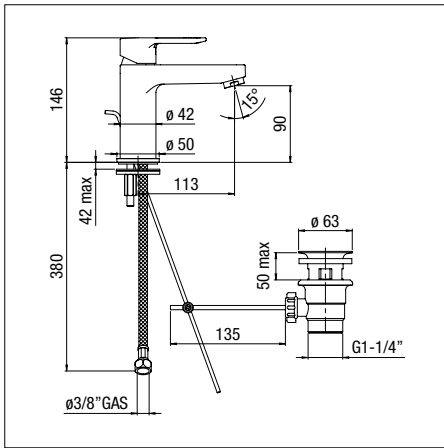
RD00030/30 CR  
External shower thermostatic column, wheelbase  
150 ± 20, safety block at 38°, shower head  
ø 200 mm, 1-jet hand-shower.



RD00030/31 CR  
External shower thermostatic column, wheelbase  
150 ± 20, safety block at 38°, shower head  
200 x 200 mm, 1-jet hand-shower.

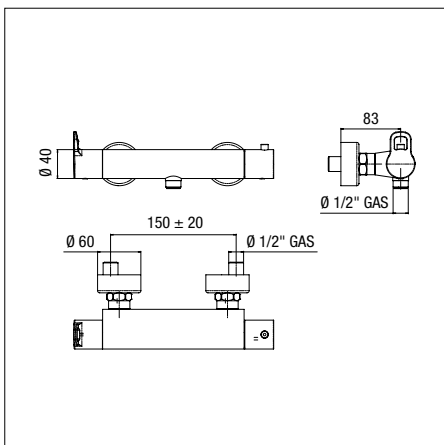
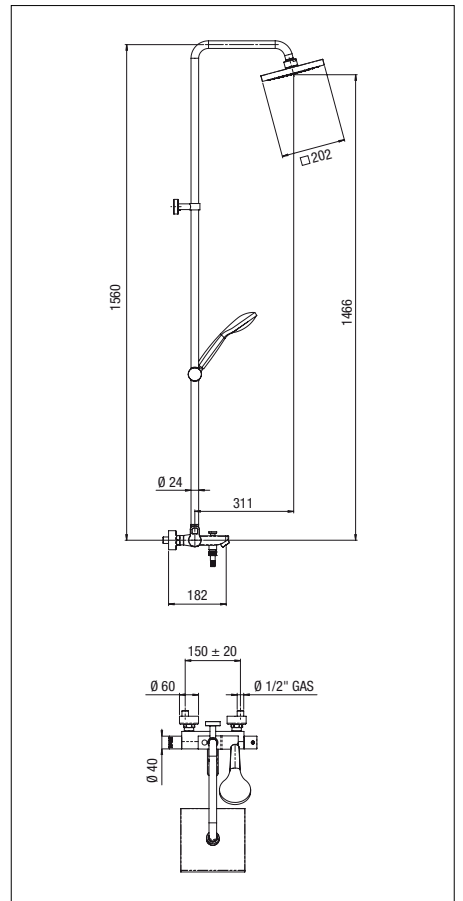
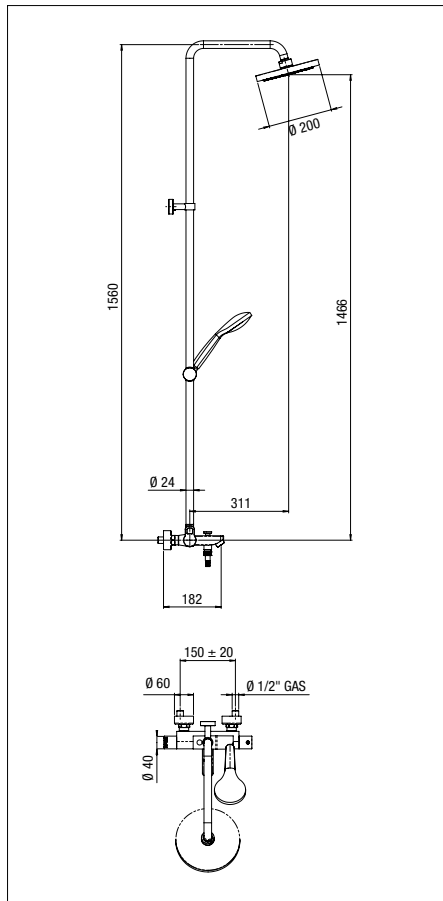
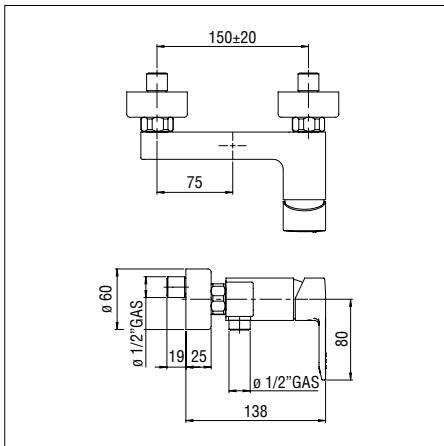
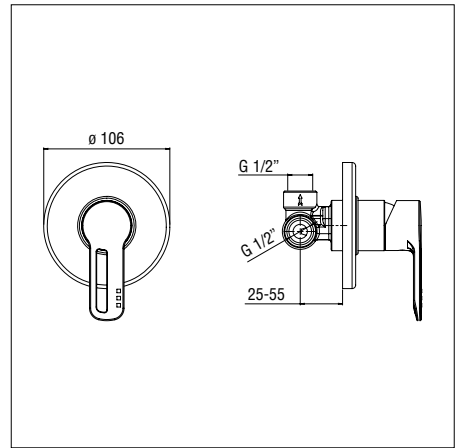
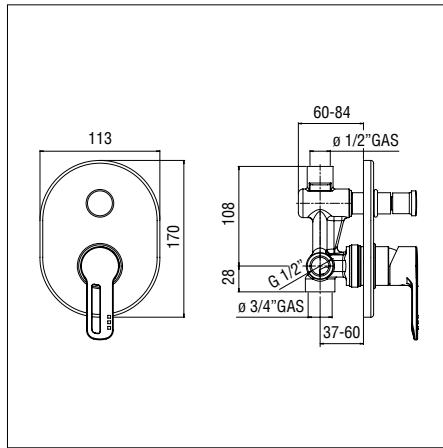
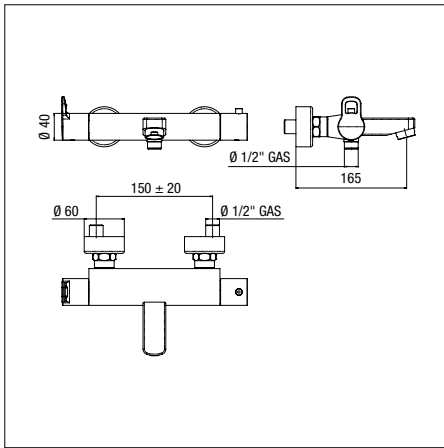


RD00300/3 CR  
Single lever sink mixer, swivel spout, double-jet  
adjustable hand shower, ø 3/8" stainless steel  
flexible hoses.



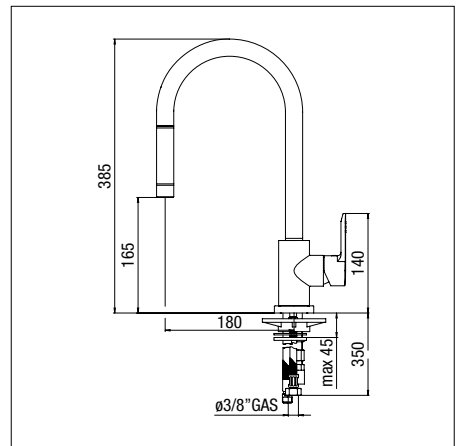
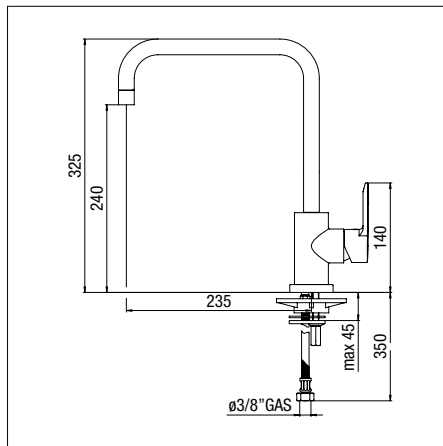
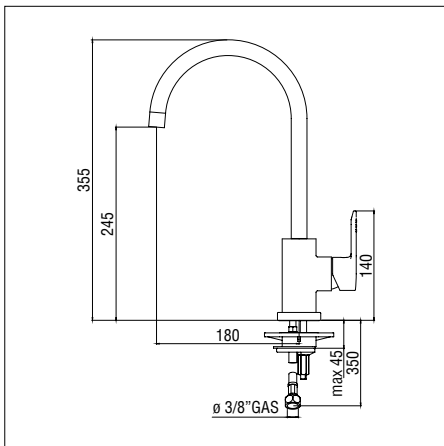
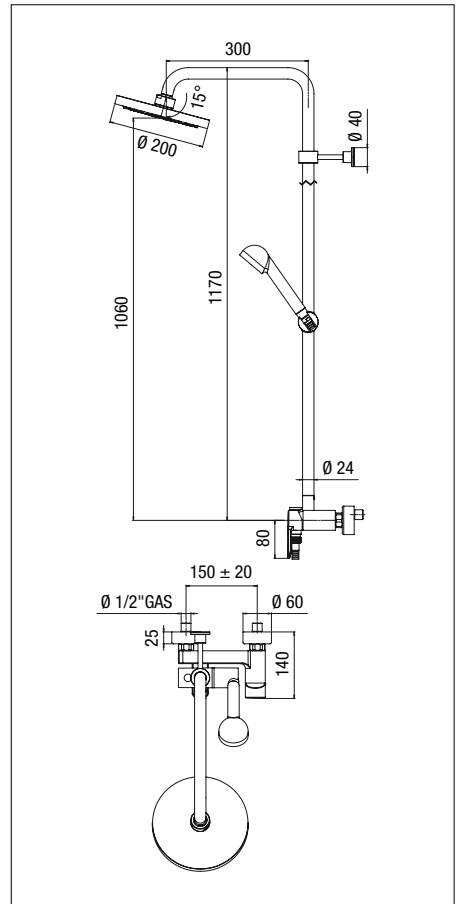
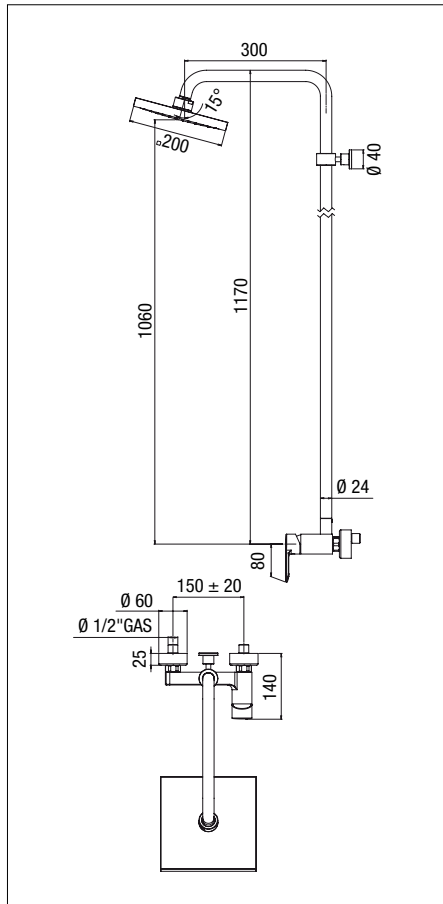
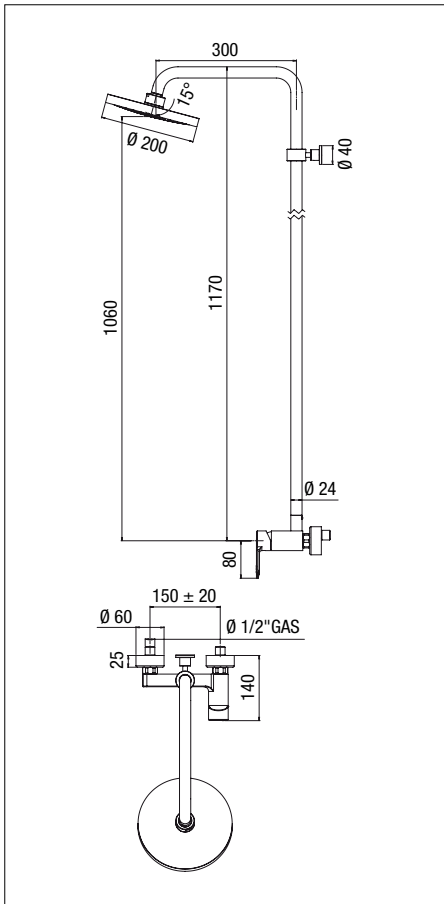
- RD00118/1      RDE00118/1      RD00128/2
- RDE00128/2    RD00338/2      RD00119/1
- RD00118/10    RD00110          RD00110/1

Dimensions are expressed in mm.



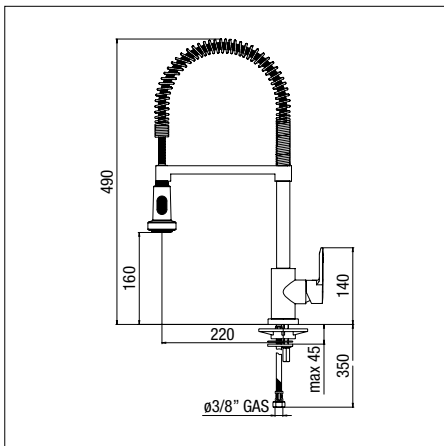
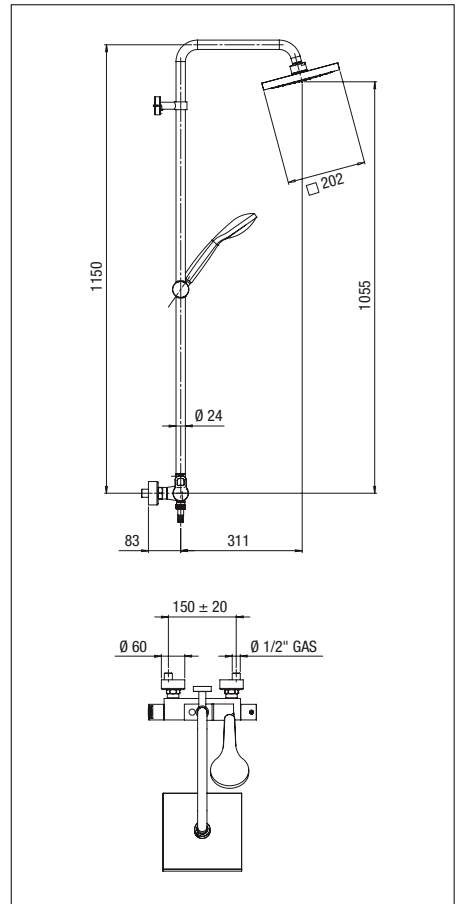
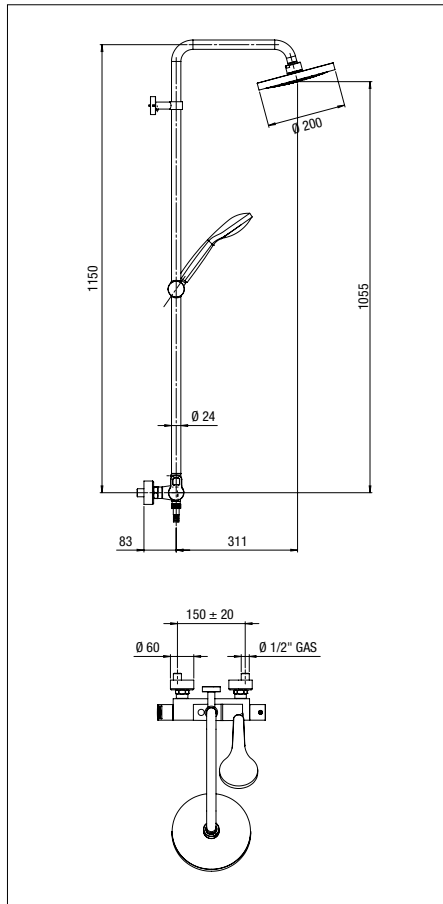
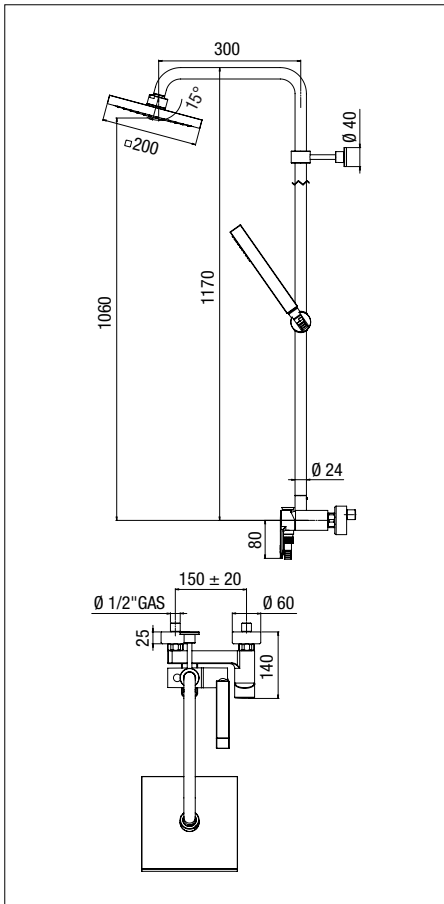
- RD00010      RD00100      RD00108
- RD00130      RD00010/30      RD00010/31
- RD00030

Dimensions are expressed in mm.



RD00131      RD00531      RD00130/30  
 RD00133      RD00134      RD00137/1

Dimensions are expressed in mm.



RD00130/31    RD00030/30    RD00030/31  
RD00300/3

Dimensions are expressed in mm.

- Our mixers have nothing to hide. Nobili Widd® technology (water immersion dry disc) lets water reach the top of the faucet's body, flowing on the outside of the cartridge's profile. This system gives the item a clean a straightforward design. Just notice the spout, coincident with the body. A lower mechanical wear is also guaranteed, since no limestone sediment appears inside the cartridge.
- Nobili is always concentrated in projecting userfriendly items, that respond to the various requirements of the market and reliable in any condition of use. The fact of applying high-quality materials, such as non-toxic plastics, is the result of continuous investments apt to guarantee more safety to you and your family.
- Nobili cartridge is assembled exclusively on Nobili products. The heart of our mixers is homemade, covered by several patents, and makes everybody envious. A spectacular orchestra of perfect mechanisms plays into Nobili branded mixers.
- Our products are amazing. And they will remain amazing over time. The friction system of the cartridge gives longer life to the mixer: it avoids the contact between the ceramic disks while the mixing lever is set in closed position. To conduct the rotation, all you have to do is simply a smooth and fluid movement. Forever.
- Differences can often be noticed by details. The rod of the cartridge is made in metal, not in plastic, and has a greater resistance to sustained efforts. It guarantees top-level precision in the regulation of flow and temperature for water.
- The temperature restrictor, adjustable simply by operating on the cartridge, avoids the excessive consumption of hot water and protects against any eventual danger of getting scalded.
- Valuable element, the Cascade® aerator maintains a full and dense water supply, in every kind of condition. The waste of water can be further minimized by mounting a different aerator which limits the flow-rate up to 9 l / min.
- Listen to the sound of water. It is often an underestimated element, but a distinctive mark for Nobili. The excellent connection of the mechanical parts assures a great acoustic comfort.
- Notice the bright finish of Nobili mixers. Smooth and shiny surfaces are provided by our chrome plating values, decidedly higher with respect to the standard: 15.0 µm Nickel and 0.5 µm Chrome.

Every day, engineers researchers and technicians conceive and test our technology. We imagine the finished product as it was an organism, an harmonious whole of various components. A sound of perfect synchrony. Nothing is left up to fate. Even the smallest and most hidden element is worth our full attention. It is important, whatever its function. Each component is treated in detail by people who love their profession. Different people operate on different parts. Every specific detail must be simple, reliable, beautiful, inside and outside. For these reasons we are sure that Nobili product is extraordinary. Downright.







Established away back in 1954, Carlo Nobili Rubinetterie is today a modern Company with high quality standards, one of a kind among the international taps and mixers producers worldwide, and attentive to the market and the people's needs. The production space consists of three hundred and fifty thousand square meters, fifty thousand indoor, ten production plants, two hundred million euro made in last year's turnover. More than sixty series in the catalogue, all of them conceived and produced in the three hundred in-house machining centers, with the care and the passion reserved for precious items, in full compliance with "Made in Italy". In the world nothing great has been created without passion, the same passion that makes us think about innovation, every day. Eight international patents obtained in the last five years, ten worldwide reputed designers, who cooperate with Nobili Centro Stile. Professionalism, know-how, flexibility and promptness: a quick prototyping center allows us to continuously study new forms and get the most out of the material. Without wastes. The three eco-compatible galvanic system are equipped in compliance with the most restrictive anti-pollution norms. A product that was studied to improve the quality of life cannot exist if it ruins the world we live in. Right and proper. All this is Nobili. Follow us.

Concept, script, art direction: Centro Stile Nobili

Carlo Nobili SpA Rubinetterie  
S.S. 229 Km. 19+600, 28019 Suno (No) Italia  
T. +39 0322 885885 / F. +39 0322 858091  
info@nobili-spa.com / www.nobili-spa.com



Respect the environment. Don't throw me away.  
Re-use me or deliver me to a friend.

The images, technical details and characteristics of the models listed in the following brochure are subjected to changes, detailed and substantive, without notice, with the sole aim of further improving the product. Because catalogues are prepared and printed in a certain period of time before the actual distribution of the item, is not always possible to provide detailed descriptions of specific details. You should always check the technical details before purchasing, especially if the choice depends significantly from any of the techniques shown here.

**NOBILIS**  <sup>®</sup>  
The Best Technology for Water

8 018014 863193 