

AXOR Montreux
Single lever kitchen mixer with pull-out spray
 Surfaces: **chrome** Article Number: **16581000**



Description

product features

- swivel range 110° / 150°
- vertical handle position
- normal and spray jet
- lockable shower spray, spray returns through pressing spray diverter
- MagFit magnetic shower support
- quick connect shower hose
- connection dimension: DN15
- flow rate 9.5 l/min
- ceramic cartridge
- connection type: G 3/8 connections
- integrated non-return valve
- suitable for continuous flow water heaters
- P-IX 7284/IA

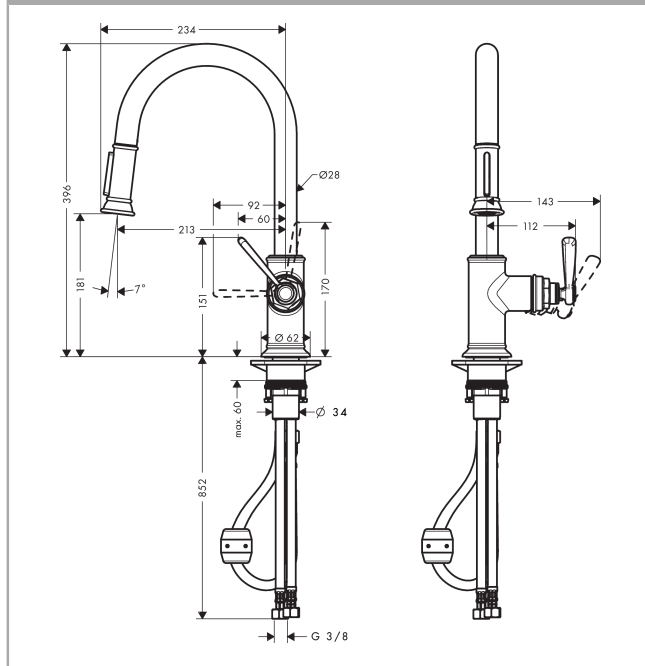
Technology



Product image



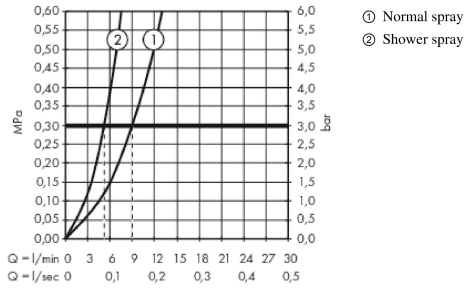
Scale drawing



AXOR Montreux
Single lever kitchen mixer with pull-out spray
 Surfaces: **chrome** Article Number: **16581000**



Flowchart

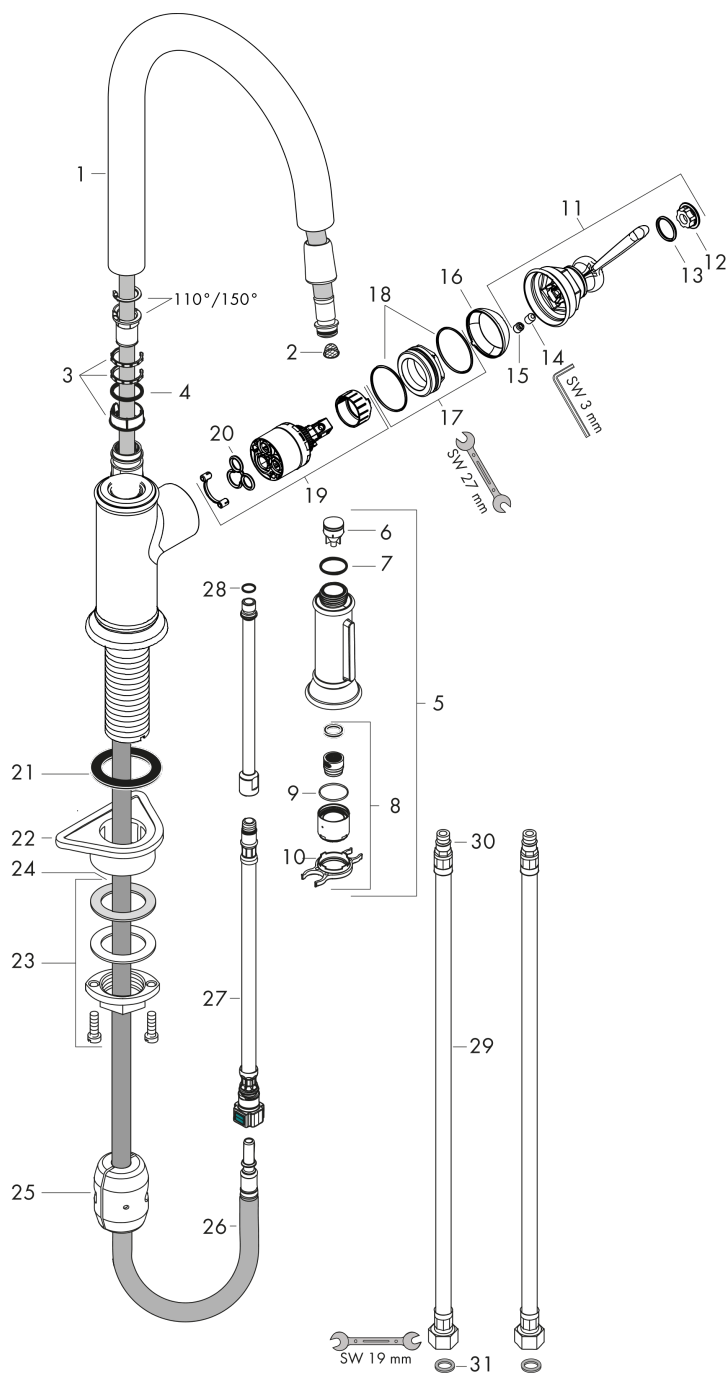


AXOR Montreux
Single lever kitchen mixer with pull-out spray
 Surfaces: **chrome** Article Number: **16581000**



Exploded Drawing

Year of production: >01/18



AXOR Montreux
Single lever kitchen mixer with pull-out spray
 Surfaces: **chrome** Article Number: **16581000**



Spare part list

Year of production: >01/18

Pos.	Description	Article Number	PC	PU
1	spout cpl.	92972000	15	1
2	filter	97735000	1	1
3	set of lever collars	98365000	3	1
4	O-ring 21x2,5	98211000	1	1
5	handspray	92967000	16	1
6	set of non return valves DW 15	97350000	6	1
7	O-ring 18x1,5	98231000	1	1
8	aerator laminar M22x1 (15 l/min)	95909000	11	1
9	O-ring 20x1	98140000	1	1
10	service tool	95910000	3	1
11	handle	92963000	11	1
12	cover cap	92964000	6	1
13	O-ring 16x2	98133000	1	1
14	hollow set screw M6x8	98444000	1	1
15	screw cover	96762000	1	1
16	flange	92965000	8	1
17	nut	92966000	9	1
18	O-ring 33x1,5	98164000	1	1
19	cartridge, assy	92730000	11	1
20	seal	95008000	3	1
21	seal	92582000	1	1
22	support	97523000	2	1
23	fixing set (Ø 34)	95049000	5	1
24	lever collar	97548000	1	1
25	weight	92500000	9	1
26	hose 1,50 m	95507000	12	1
27	connection hose 600 mm M10x1	95561000	7	1
28	O-ring 8x1,75	97827000	1	1
29	connection hose 900 mm M8x0,75 G3/8	98758000	8	1
30	O-ring 7x1,5	98422000	1	1
31	sealing set	95581000	2	1