

Crometta

Crometta E 240 1jet Showerpipe

Surfaces: **chrome** Article Number: **27271000**

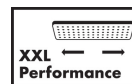


Description

product features

- slide inclination angle can be adjusted by 45°
- overhead shower Crometta E 240
- shower head size: 240 x 240 mm
- overhead shower angle adjustable
- spray type: Rain
- flow rate Rain spray (at 0.3 MPa): 15 l/min
- operating pressure: min. 0.18 MPa/max. 1.0 MPa
- fully chrome-plated spray disc
- shower arm length: 350 mm
- thermostat Ecostat 1001 CL
- safety lock at 40° C
- adjustable hot water limitation
- outlets controlled via turning handle
- installation type: exposed installation
- connection dimension DN15
- connection thread G 1/2
- centre distance 150 ± 12 mm
- height-adjustable hand shower holder

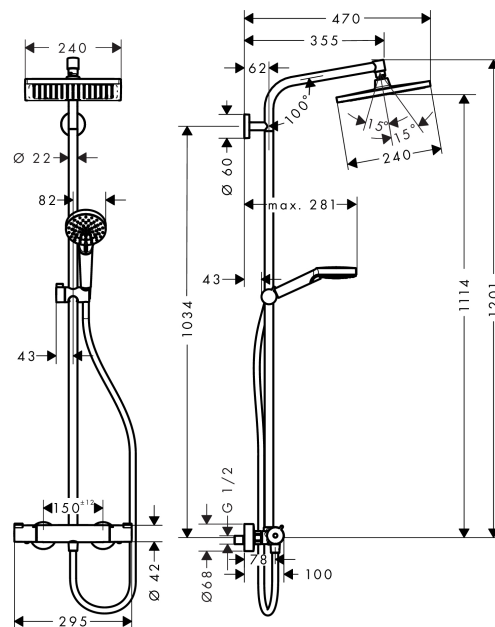
Technology



Product image



Scale drawing



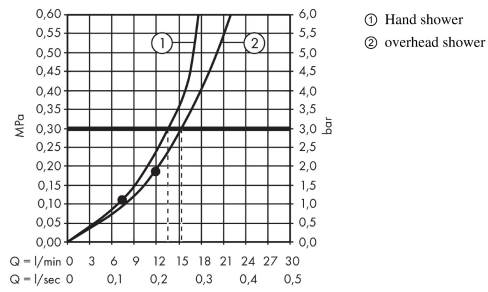
Crometta

Crometta E 240 1jet Showerpipe

Surfaces: **chrome** Article Number: **27271000**



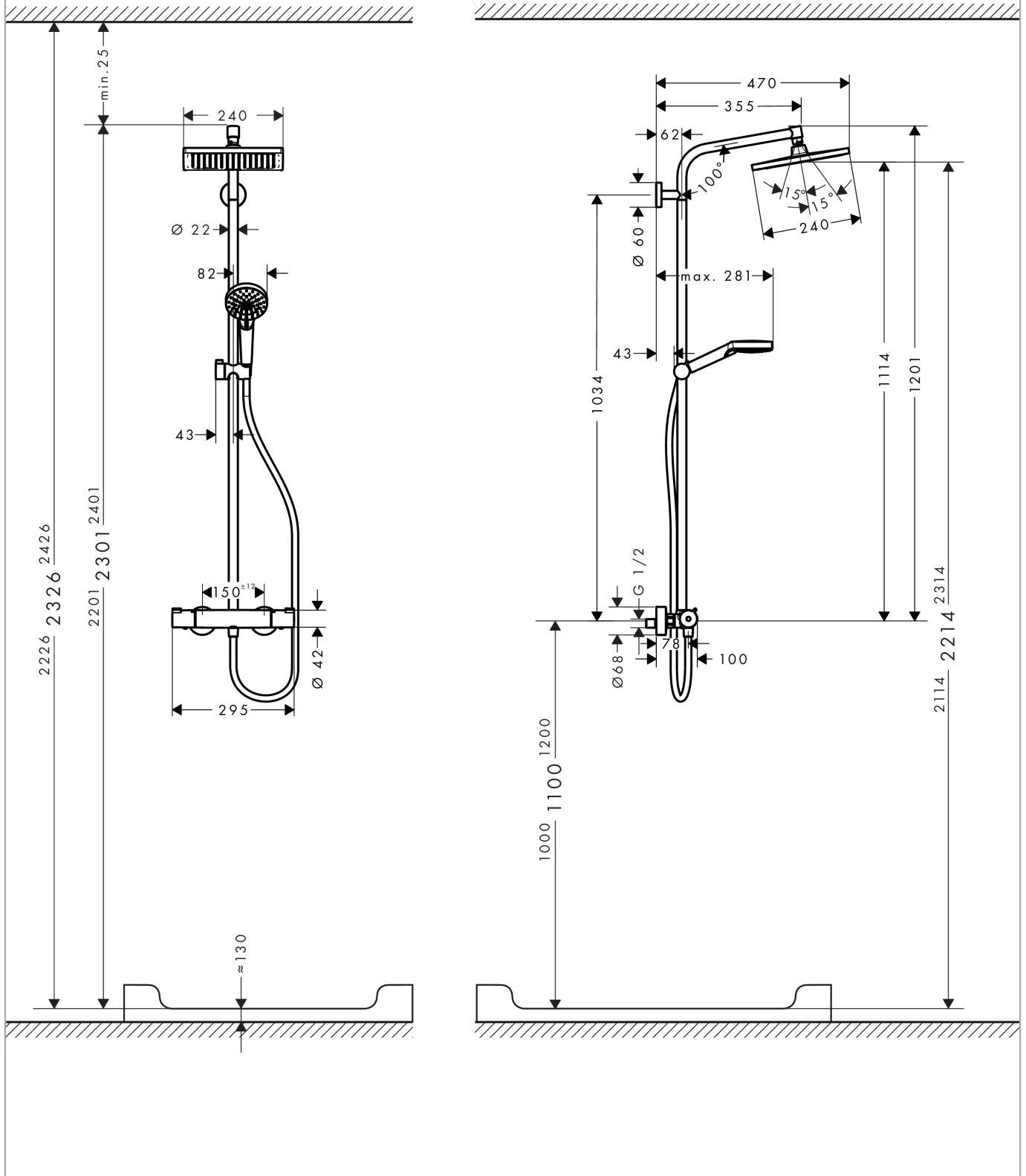
Flowchart



Crometta
Crometta E 240 1jet Showerpipe
 Surfaces: **chrome** Article Number: **27271000**



Installation examples



Crometta

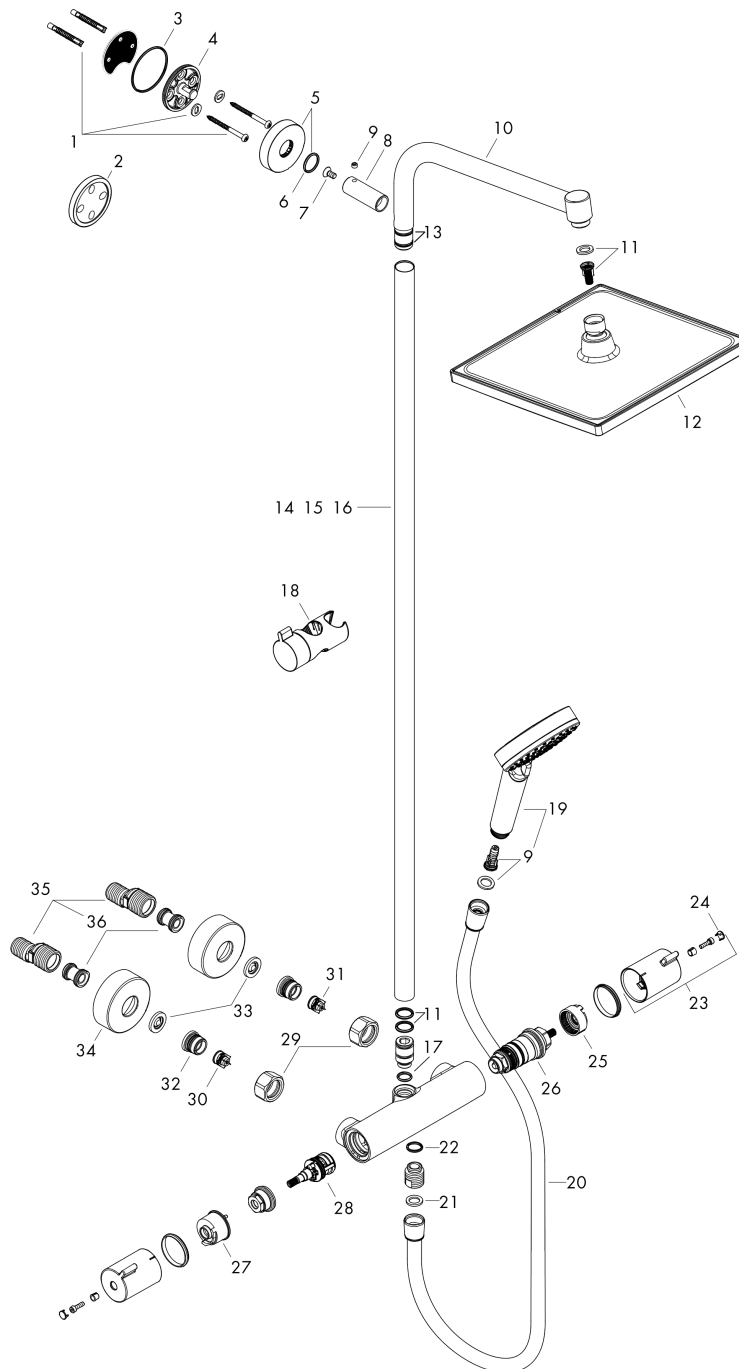
Crometta E 240 1jet Showerpipe

Surfaces: **chrome** Article Number: **27271000**



Exploded Drawing

Year of production: >04/16



Crometta
Crometta E 240 1jet Showerpipe

 Surfaces: **chrome** Article Number: **27271000**

Spare part list

Year of production: >04/16

Pos.	Description	Article Number	PC	PU
1	mounting set	96179000	4	1
2	tile-matching-disk	95239000	5	1
3	O-Ring 50x2	98187000	1	1
4	wall flange	95688000	8	1
5	escutcheon Ø 60 mm	95692000	6	1
6	O-ring 20x2	98165000	1	1
7	screw	92137000	2	1
8	sleeve	92166000	9	1
9	hollow set screw M6x5	98447000	1	1
10	shower arm	93072000	15	1
11	filter insert	97708000	2	1
12	head shower	26726000	0	1
13	O-ring 15x2,5	98131000	1	1
14	pipe 1000 mm	96743000	12	1
15	pipe 1200 mm	95665000	12	1
16	pipe 1450 mm	96770000	18	1
17	O-ring 12x2,25	98382000	1	1
18	support, assy	92366000	9	1
19	handshower	26330400	0	1
20	shower hose Isiflex'B 1,60 m	28276000	0	1
21	seal	98058000	1	1
22	O-ring 14x2	98129000	1	1
23	handle	92836000	9	1
24	cover cap	95433000	2	1
25	safety set for temperature control	95041000	5	1
26	thermostat cartridge	94282000	15	1
27	stop ring for flow control	98674000	3	1
28	shut off unit with selector	96509000	13	1
29	set of nuts	96157000	8	1
30	non return valve (pressure-resistant up to 2 MPa)	93136000	8	1
31	non return valve	96737000	8	1
32	O-ring 17x1,5	98137000	1	1
33	filter packing	96922000	3	1
34	escutcheon Ø 68 mm	96467000	6	1
35	set of S-unions (±12 mm)	94140000	10	1
36	noise reduction	96429000	2	1