

CORDIVARI
DESIGN

CATALOGUE PRICE LIST 4
2014

CORDIVARI

DESIGN

Cordivari Design is the brand that identifies the artistic path, research and development of Cordivari group.

This concept explores the realm of emotions and affectivity: a journey of passion and feelings that are reflected in the living where every object, every element is expression of its personality. Cordivari Design radiators become in this way protagonists of the contemporary living. The continuous research for technological solutions to enhance the efficiency of the radiators combined with the creativity of important designers working for Cordivari Design, create a perfect alchemy between functionality and style, able to give warmth and elegance to every living space.

INOX

CORDIVARI, RELYING ON ITS FORTY-YEARS OLD PRODUCTION EXPERIENCE, HAS EMBRACED THE PHILOSOPHY OF STAINLESS STEEL, MAKING IT AVAILABLE AT CORDIVARI DESIGN. THIS CHOICE, WITNESSES THE FUNDAMENTAL IMPORTANCE FOR THE COMPANY TO KEEP A RESPECTFUL AND POSITIVE RELATIONSHIP WITH THE ENVIRONMENT AND NATURAL RESOURCES. STAINLESS STEEL COMBINES WELL WITH THIS ECOLOGICAL PRODUCTION PHILOSOPHY, BECAUSE IT IS A 100% RECYCLABLE MATERIAL, RESISTANT TO CORROSION, NON-TOXIC AND WITH INFINITE LIFETIME. A PRESTIGIOUS AWARD RECORDED IN THIS SENSE IS REPRESENTED BY UNI EN ISO 14001, WHICH QUALIFIES ECO-FRIENDLY, CORDIVARI ENVIRONMENTAL MANAGEMENT SYSTEM. STAINLESS STEEL IS CONQUERING EVERY DAY LARGER AND LARGER APPLICATION IN ARCHITECTURE AND INDUSTRIAL DESIGN, NOT ONLY THANKS TO ITS PERFORMANCES, BUT MAINLY FOR ITS VISUAL LIGHTNESS.

THE LIGHT REFLECTION CREATED BY THE POLISHED STAINLESS STEEL CORDIVARI DESIGN RADIATORS, OR THE ELEGANCE OF THE SATIN FINISHING, GUARANTEES A TOUCH OF EXCLUSIVITY AND PRESTIGE TO YOUR HOUSE.

EXTRASLIM®

CORDIVARI DESIGN OFFERS A NEW CONCEPT OF DECORATIVE RADIATOR AND WITH THE SUPPORT OF IMPORTANT DESIGNERS, CREATES THE INNOVATIVE "EXTRASLIM" RANGE, A REVOLUTION OF THE DESIGN RADIATOR WORLD THANKS TO A UNIQUE AND STATE OF THE ART PRODUCTION TECHNOLOGY.

THE RESULT IS A RADIATOR CONSISTING OF A SINGLE HEATING BODY WITH ONLY 7 MM THICKNESS, TOTALLY DIFFERENT FROM THE TRADITIONAL MARKET OFFER, WITH GEOMETRIES THAT GO WELL BEYOND THE TRADITIONAL IMAGE OF THE RADIATOR.

THE EXTRASLIM RANGE, HAS BEEN AWARDED WITH SEVERAL INTERNATIONAL AWARDS: DESIGN PLUS, COMFORT & DESIGN, ŁAZIENKA AWARD AND PRIX DU DESIGN IDEOBAIN NOMINATION.

NEO DESIGN

NEO DESIGN RADIATORS ARE INVOLVED IN THE ARTISTIC TREND OF "MINIMALISM" THAT HAS GREATLY INFLUENCED CONTEMPORARY DESIGN. PURITY, SIMPLICITY OF LINES AND ARCHITECTURAL FORMS, ARE THE ELEMENTS THAT WILL MAKE YOU APPRECIATE THESE SOBER AND ELEGANT RADIATORS.

INTERIOR FURNISHING DESIGNED TO CREATE A PERFECT SYNTHESIS BETWEEN AESTHETICS AND FUNCTIONALITY, ENABLES GREAT THERMAL EFFICIENCY IN LINE WITH CURRENT STANDARDS OF ENERGY SAVING.

THE NEO DESIGN WITH ITS UNIQUE STYLE BECOMES PROTAGONISTS OF CONTEMPORARY LIVING.

RETRÒ

RETRO IS THE NEW LINE OF CORDIVARI RADIATORS, INSPIRED BY CLASSICAL FORMS AND ELEGANT DESIGN.

WITH TIMELESS SHAPES THESE DECORATIVE RADIATORS ARE AVAILABLE WITH SHINY AND BRIGHT FINISHING TO DECORATE YOUR BATHROOMS WITH THE MOST EXCLUSIVE TASTE.

THE LINE RETRO IS AVAILABLE IN 6 MODELS WITH 4 DIFFERENT FINISHES: CHROME, ANTIQUE BRONZE, ANTIQUE GOLD AND DARK GOLD.

GRAPHIC PICTURE

HEAT AND COLOUR. THE PICTURES RADIATORS SPREADING THE HEATING THROUGH BEAUTIFUL COLOURS AND IMAGES, BECOME THE CANVAS OF A PAINTER OR A FRAME UPON WHICH THE MOST EXCITING IMPRESSIONS OF YOUR LIFE ARE CAPTURED.

AN INNOVATIVE AND EVERLASTING PAINTING PROCESS, PRESENTED AT MILAN MCE EXHIBITION AND AWARDED ON "POLVERI 2001" WHERE IT STOOD OUT FOR ITS INNOVATION, HIGH QUALITY FINISHING AND ENVIRONMENT FRIENDLY APPROACH. THE RADIATOR BECOMES A DESIGN OBJECT, AN ELEMENT THAT PERSONALIZES YOUR LIVING ENVIRONMENT, MAKING IT A UNIQUE ITEM, ENRICHED BY CHROMATIC EFFECTS YOU CAN CHOOSE BETWEEN GRAPHICS SOLUTIONS PROPOSED BY CORDIVARI DESIGN, CREATED BY PAINTERS, ARTISTS, DESIGNERS OR FROM YOURSELF WITH YOUR FAVOURITE IMAGES, WHICH WILL CAPTURE FOREVER ON THE RADIATOR YOUR DESIRED IMAGE.

<u>LOLA® POLISHED STAINLESS STEEL - SATIN STAINLESS STEEL - DECOR</u>	Page	6	116
<u>BLOW® POLISHED STAINLESS STEEL</u>	Page	18	120
<u>FRAME - FRAME PLUS POLISHED STAINLESS STEEL - DECOR</u>	Page	22	122
<u>KELLY POLISHED STAINLESS STEEL</u>	Page	26	121
<u>BABYLA POLISHED STAINLESS STEEL - SATIN STAINLESS STEEL</u>	Page	28	124
<u>RIO® POLISHED STAINLESS STEEL - SATIN STAINLESS STEEL</u>	Page	32	126
<u>STRADIVARI SATIN STAINLESS STEEL</u>	Page	36	128
<u>RENÉE POLISHED STAINLESS STEEL - SATIN STAINLESS STEEL</u>	Page	42	130
<u>GIULY®</u>	Page	48	131
<u>BADGE® CONTROL - LED - ELECTRIC</u>	Page	54	132
<u>HAND®</u>	Page	66	135
<u>MOVIE®</u>	Page	68	136
<u>JUNGLE®</u>	Page	72	137
<u>FRAME - FRAME PLUS</u>	Page	78	138
<u>GROOVE®</u>	Page	80	140
<u>ROADS®</u>	Page	82	141
<u>ROADS® STF</u>	Page	84	142
<u>BRIDGE® 1</u>	Page	88	144
<u>RETRÒ</u>	Page	92	145
<u>FRAME LAGOON</u>	Page	102	148
<u>FRAME ARTIC</u>	Page	104	148
<u>FRAME CORALLO</u>	Page	105	148
<u>FRAME PICTURE®</u>	Page	106	150
<u>FRAME SEASON</u>	Page	108	150
<u>TOTEM</u>	Page	110	152
<u>RING</u>	Page	112	152
<u>ACCESSORIES</u>	Page		156
<u>TECHNICAL SUPPORT</u>	Page		162
<u>CERTIFICATES - DESIGNERS - COLOURS</u>	Page		166
<u>SALES CONDITIONS AND WARRANTY</u>	Page		176



INOX



EXTRASLIM®



NEO DESIGN



CLASSIC LINE




GRAPHIC PICTURE



TECHNICAL SUPPORT







INOX

CORDIVARI
DESIGN

**GOLD VILLA
A W A R D**



INOX





INOX



**GOLD VILLA
A W A R D**





POLISHED STAINLESS STEEL AND SATIN STAINLESS STEEL



Artwork:
Mariano Moroni

GOLD VILLA A W A R D



INOX





INOX



POLISHED STAINLESS STEEL



Design:
Jean-Marie Massaud



reddot design award
best of the best 2012



German
Design Award
NOMINEE 2014



" We have designed a product that gives architects the opportunity to fulfil their requirements in terms of design.

Blow® is a simple, refined and architectural system, that can easily be arranged and laid out in any interior".

J.M.Massaud



INOX



FRAME

PRICE LIST - TECHNICAL SUPPORT PAGE 122

POLISHED STAINLESS STEEL

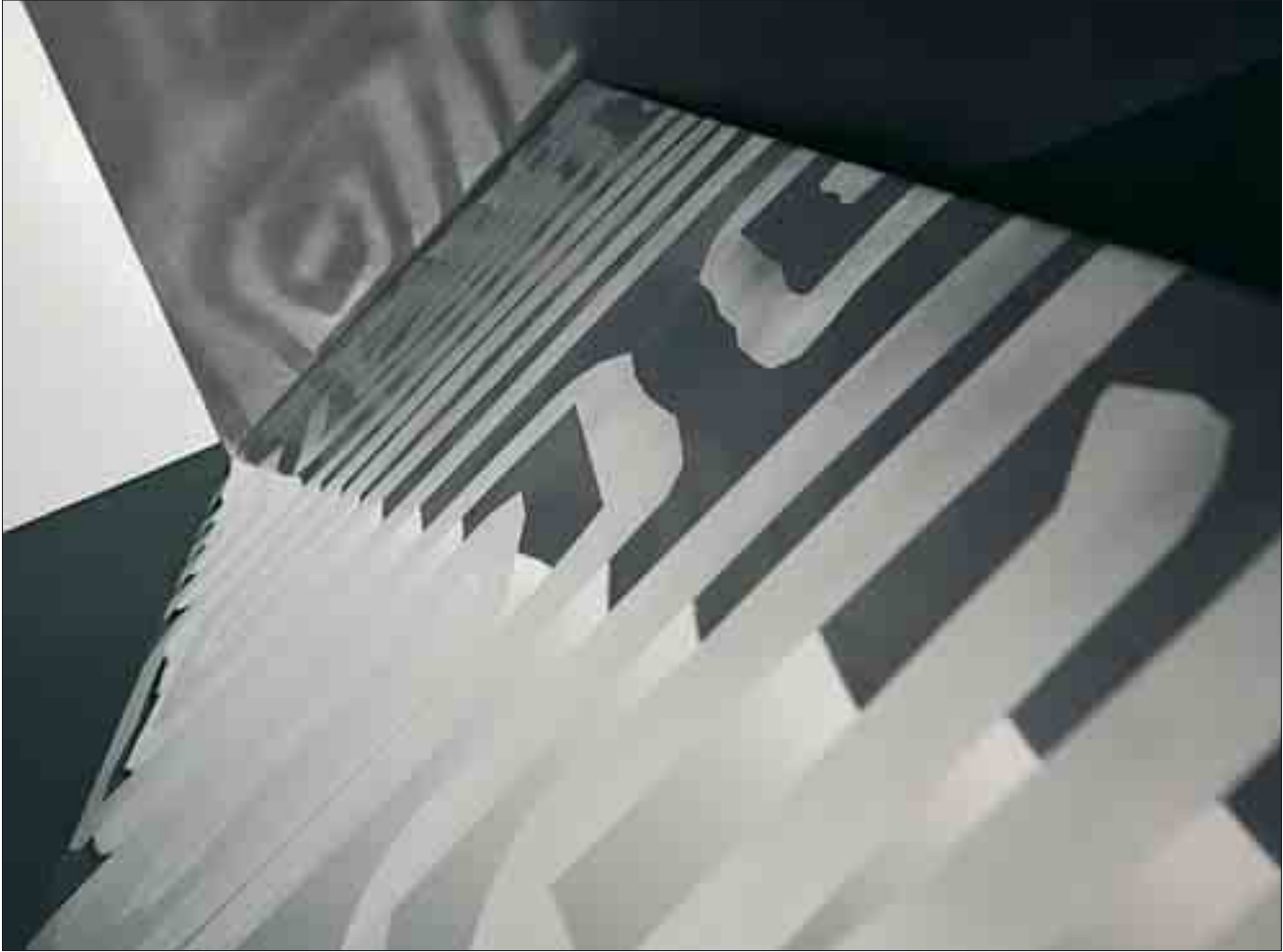


INOX



FRAME DECOR

POLISHED STAINLESS STEEL / DECOR



INOX



KELLY

POLISHED STAINLESS STEEL



INOX



BABYLA

PRICE LIST - TECHNICAL SUPPORT PAGE 124

POLISHED STAINLESS STEEL



Design:
Mariano Moroni



INOX



BABYLA

SATIN STAINLESS STEEL



Design:
Mariano Moroni



INOX



POLISHED STAINLESS STEEL



Design:
Paola Pinnavaia

D COME DESIGN AWARD



INOX



SATIN STAINLESS STEEL



Design:
Paola Pinnavaia

D COME DESIGN AWARD







Design:
Luca Scacchetti

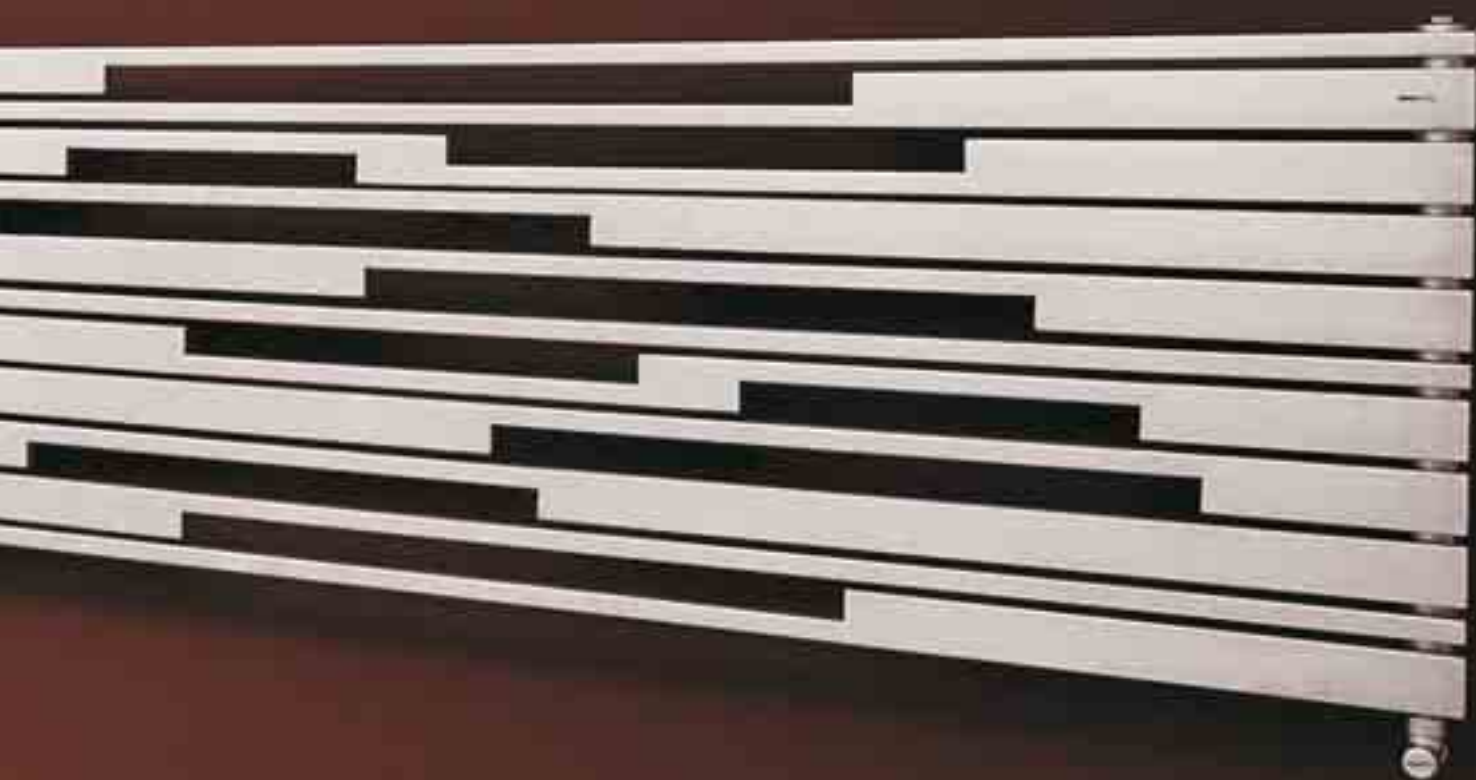


INOX





INOX





MILANO - TEXTURE & MATERIALS - SUPERSTUDIOPIÙ
CARLO COLOMBO AND PAOLA NAVONE @ CORDIVARI DESIGN



RENÉE

PRICE LIST - TECHNICAL SUPPORT PAGE 130

POLISHED STAINLESS STEEL AND SATIN STAINLESS STEEL



Design:
Mariano Moroni



INOX









E X T R A S L I M

CORDIVARI
DESIGN



Design:
Mariano Moroni

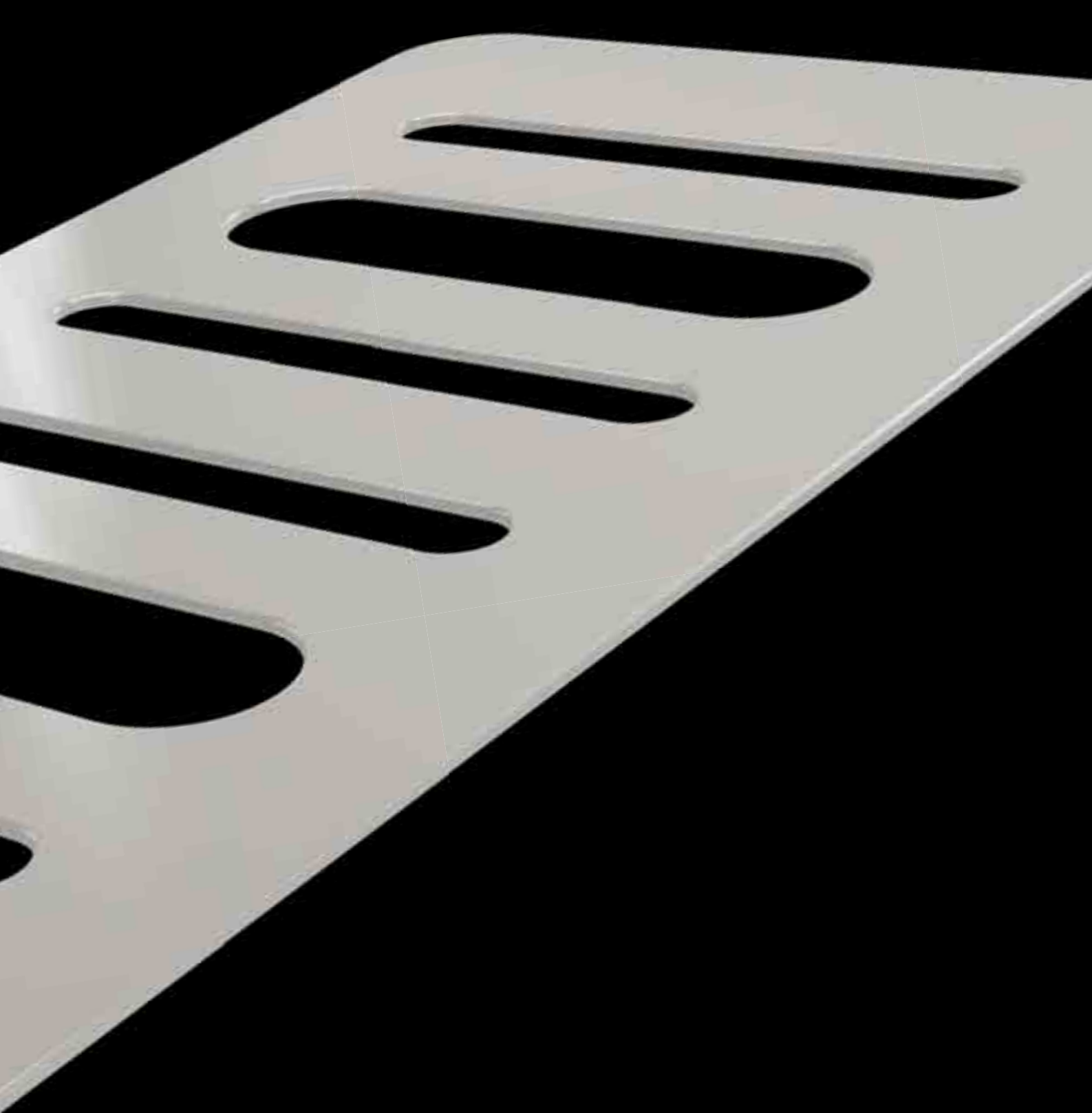




R14 - Cream

Its archetype draws inspiration from the automotive industry, and his shape comes through the re-interpretation of details and graphics scans evoking grilles and vents.







product
design award

2014



R01 - Pure White





Design:
Simone Micheli

DESIGN PLUS

NOMINÉ
PRIX DU DESIGN IDÉO BAIN

COMFORT & DESIGN
AWARD

ŁAZIENKA
AWARD





R07 - Fire Red



DESIGN PLUS

NOMINÉ
PRIX DU DESIGN IDÉO BAIN

COMFORT & DESIGN
AWARD

ŁAZIENKA
AWARD





DESIGN PLUS

NOMINÉ
PRIX DU DESIGN IDÉO BAIN

COMFORT & DESIGN
AWARD

ŁAZIENKA
AWARD



R13 - Jet Black

BADGE® CONTROL

PRICE LIST - TECHNICAL SUPPORT PAGE 132



Design:
Simone Micheli

DESIGN PLUS

NOMINÉ
PRIX DU DESIGN IDÉO BAIN

COMFORT & DESIGN
AWARD

ŁAZIENKA
AWARD





F03 - Metal Antracite



Design:
Simone Micheli

DESIGN PLUS

NOMINÉ
PRIX DU DESIGN IDÉO BAIN

COMFORT & DESIGN
AWARD

ŁAZIENKA
AWARD





F04 - Graphite Grey



Design:
Simone Micheli

DESIGN PLUS

NOMINÉ
PRIX DU DESIGN IDÉO BAIN

COMFORT & DESIGN
AWARD

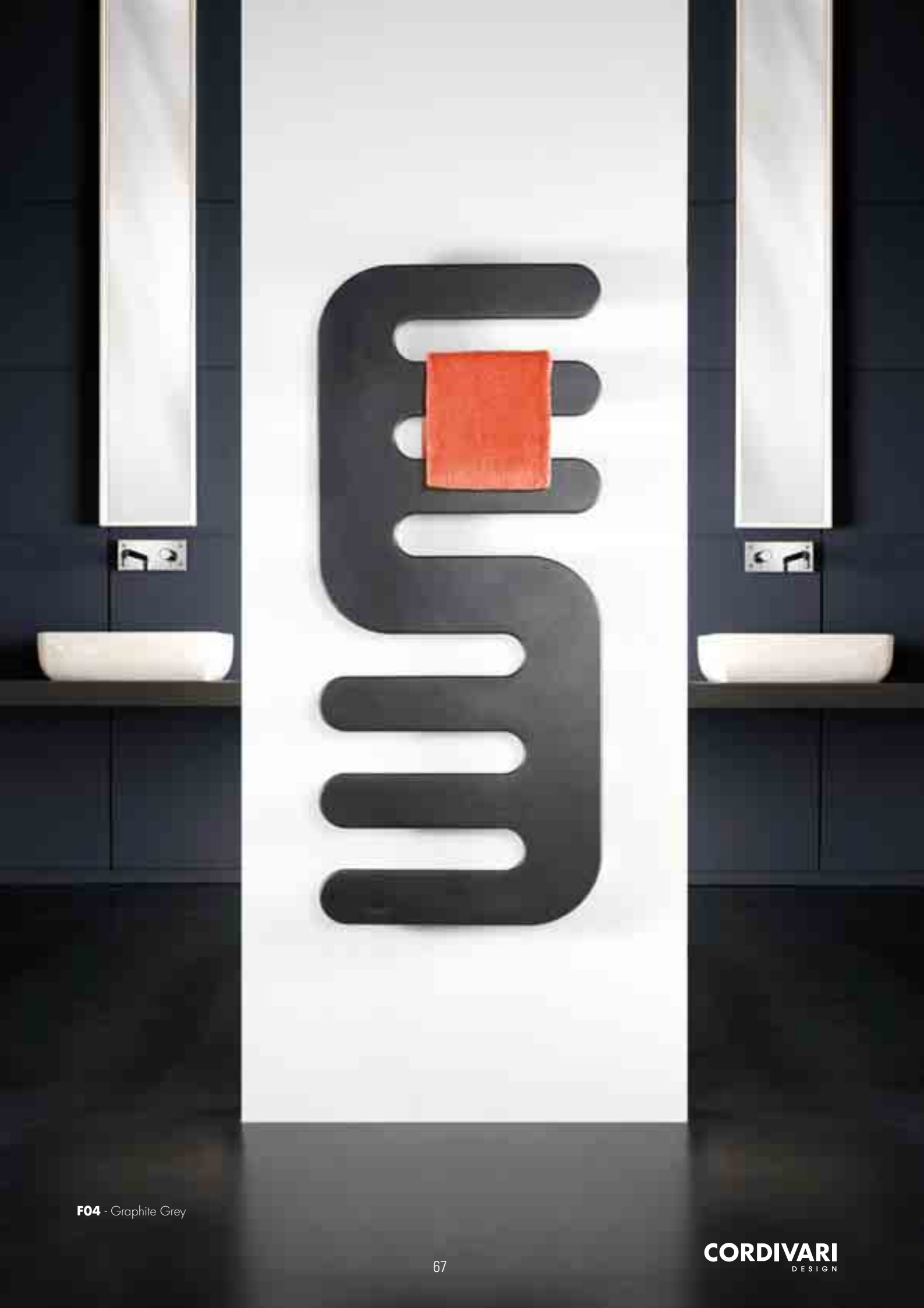
ŁAZIENKA
AWARD





R13 - Jet Black

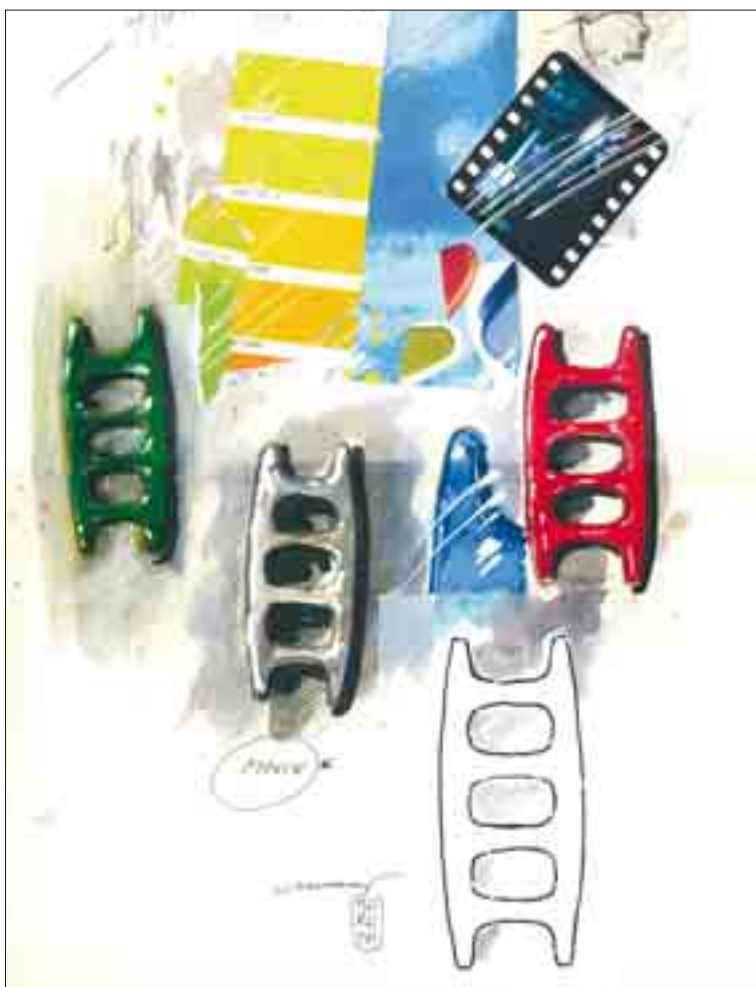






Design:
Mariano Moroni

NOMINÉ
COMFORT & DESIGN







NOMINÉ
COMFORT & DESIGN





Design:
Mariano Moroni

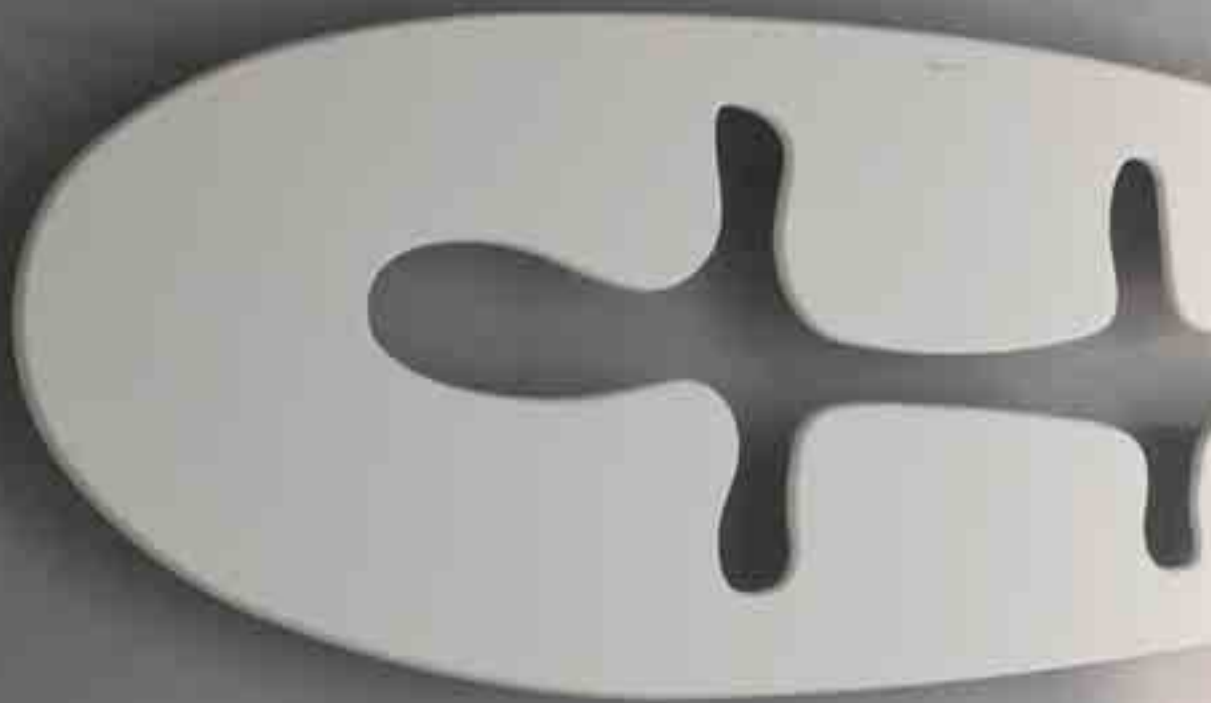


F20 - Milky



F03 - Metal Antracite

CORDIVARI
DESIGN





F20 - Milky



An architectural rendering of a modern interior space. The scene features a wooden desk in the foreground, a window with light-colored blinds, and a wall-mounted light fixture with a yellow glow. The overall style is clean and minimalist, with a focus on natural materials and soft lighting.

NEO DESIGN

CORDIVARI
DESIGN

FRAME

PRICE LIST - TECHNICAL SUPPORT PAGE 138

FRAME PLUS



R01 - Pure White

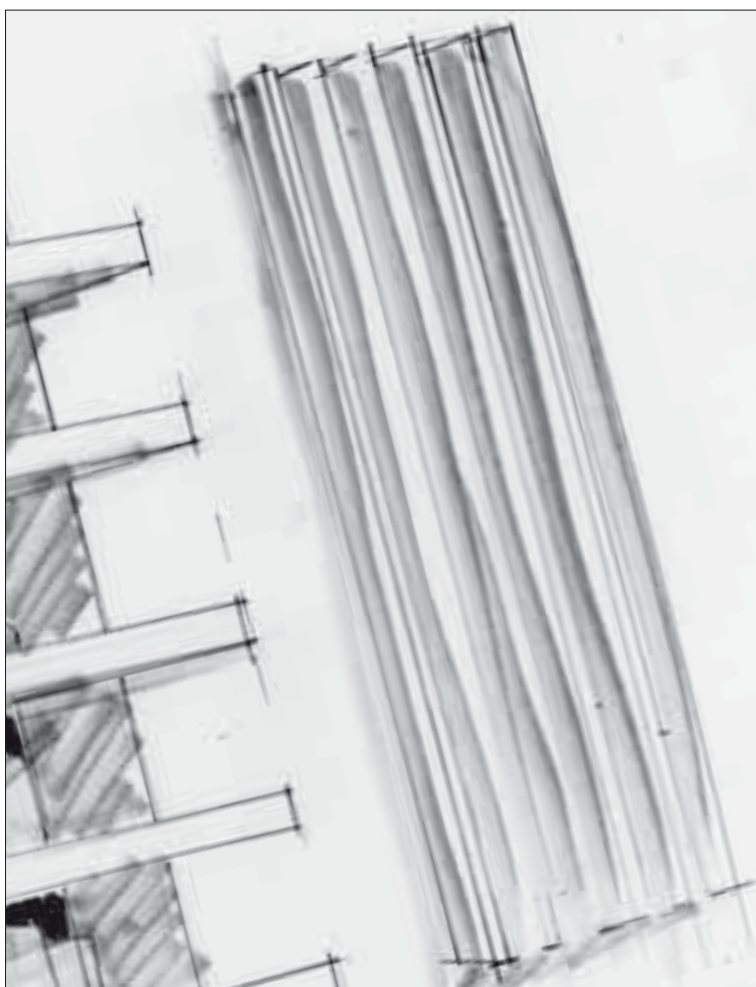


CORDIVARI

CORDIVARI



Design:
Mariano Moroni







Design:
Mariano Moroni





R02 - Traffic White



Design:
Mariano Moroni



F03 - Metal Antracite



R01 - Pure White



F18 - Platinum



BRIDGE® 1

PRICE LIST

TECHNICAL SUPPORT PAGE 144



Design:
Mariano Moroni





R01 - Pure White



CLASSIC LINE
R E T R Ò



CORDIVARI
DESIGN

CLASSIC LINE

RETRO

PRICE LIST

TECHNICAL SUPPORT PAGE 145



CLASSIC LINE
RETRO II





CLASSIC LINE
RETRO I



CLASSIC LINE
RETRO I



CLASSIC LINE RETRÒ

PRICE LIST

TECHNICAL SUPPORT PAGE 145



CLASSIC LINE
RETRÒ III



CLASSIC LINE
RETRO III



CLASSIC LINE
RETRO V





G R A P H I C
P I C T U R E

CORDIVARI
DESIGN

FRAME LAGOON

PRICE LIST - TECHNICAL SUPPORT PAGE 148



Artwork:
Mariano Moroni





FRAME LAGOON
AZUL

FRAME ARTIC PRICE LIST - TECHNICAL SUPPORT

FRAME CORALLO PAGE 148



Artwork:
Mariano Moroni





FRAME CORALLO

FRAME PICTURE

PRICE LIST

TECHNICAL SUPPORT PAGE 150





FRAME SEASON

PRICE LIST - TECHNICAL SUPPORT PAGE 150



FRAME SEASON
ABSTRACT 06





FRAME SEASON
ABSTRACT 03

ROSY GRAPHIC TOTEM



Artwork:
Mariano Moroni





ROSY GRAPHIC RING

PRICE LIST

TECHNICAL SUPPORT PAGE 152





CORDIVARI

DESIGN

PRICE LIST
TECHNICAL SUPPORT



LOLA[®] HORIZONTAL

POLISHED STAINLESS STEEL / SATIN STAINLESS STEEL / DECOR

INOX

Destination bathroom: comfort and relax shaped into Lola sinuous and surrounding design. Entirely made in stainless steel Lola[®] will catch your eyes with the reflection of light created by the polish finishing or by the elegance of the satin one, to make your bathroom unique and comfortable. Lola[®] is available both horizontal and vertical and can be dressed with useful accessories.

Material:

- Vertical collectors in stainless steel with \varnothing of 38 mm..
- Horizontal heating elements in stainless steel 30x10 mm.

Fixing kit:

- Brackets
- Airvent
- Blind Plug
- Hexagonal tool
- Plugs and screws for mounting suitable for use on compact or hollow brick walls
- User notice

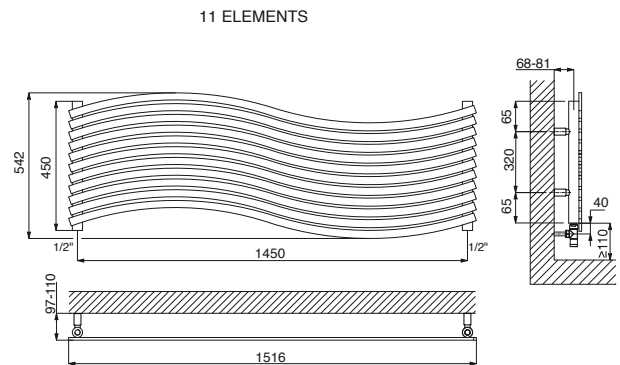
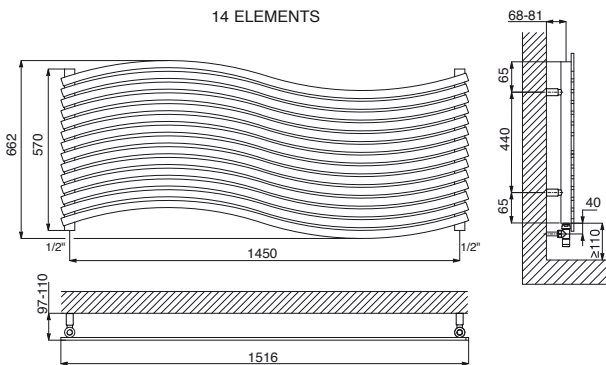
Packaging:

The radiator is protected by a recyclable film in polyethylene and with a box in recyclable carton. User notice included.

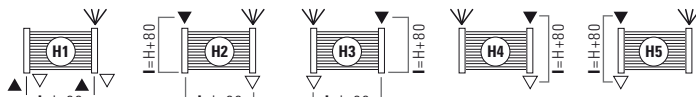
Features:

It is totally made in stainless steel with an unalterable finishing guaranteed during the years.

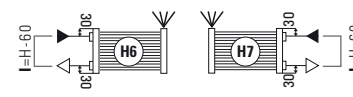
P. max: 8 bar	Available for central heating systems
T. max: 95° C	Connections: n° 2 x 1/2" gas - n° 1 x 1/2" gas for Airvent



STANDARD CONNECTIONS



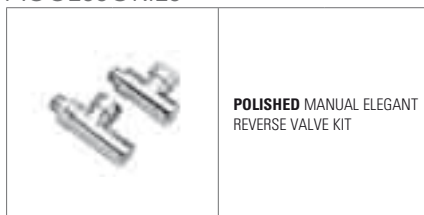
SPECIAL CONNECTIONS (Surcharge € 50,00)



LEGEND	
	In
	Airvent
	Out
	H Height
	Connection
	Width=20 - Height=15
	L Width

Always specify the kind of connection needed when ordering (from H1 to H7). Bidirectional connection not possible.

ACCESSORIES



C	Code Nr.	M	Code Nr.
Ø 10/12/14/15/16	5991990301010	Ø 14/16/18	5991990301009
Price € 125,00		Price € 122,00	
C = Copper connection • M = Multilayer connection			



C	Code Nr.	M	Code Nr.
Ø 10/12/14/15/16	5991990321010	Ø 14/16/18	5991990321009
Price € 172,00		Price € 165,00	
C = Copper connection • M = Multilayer connection			



Accessories and spare parts - see page 157.

GOLD VILLA
A W A R D

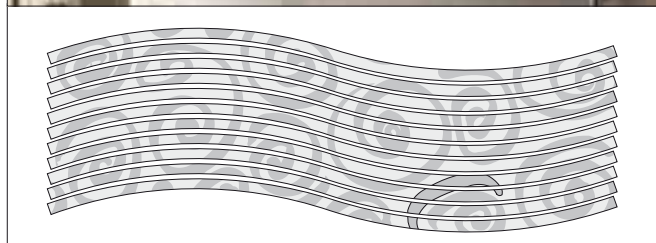
LOLA® POLISHED STAINLESS STEEL

N° ELEMENTS	Version	Height	Width	Price	Pipe Centres	Dry Weight	Water Content	Thermal output $\Delta t = 50^{\circ}\text{C}$		75/65/20°C ($\Delta t=50^{\circ}\text{C}$)
		[mm]	L [mm]	€	I [mm]	[Kg]	[lt]	Watts	Kcal/h	* Thermal output ϕ in Watts and Δt in °C
11	HORIZONTAL	450	1516	1.552,00	1450	15,5	4,1	484	416	$\phi = 3,4571 * \Delta t^{1,2632}$
14		570	1516	1.951,00	1450	19,0	5,1	616	530	$\phi = 4,2047 * \Delta t^{1,2748}$

* For output at different Δt than 50°C, see page 162.GOLD VILLA
A W A R D

LOLA® SATIN STAINLESS STEEL

N° ELEMENTS	Version	Height	Width	Price	Pipe Centres	Dry Weight	Water Content	Thermal output $\Delta t = 50^{\circ}\text{C}$		75/65/20°C ($\Delta t=50^{\circ}\text{C}$)
		[mm]	L [mm]	€	I [mm]	[Kg]	[lt]	Watts	Kcal/h	⁽⁴⁾ Thermal output ϕ in Watts and Δt in °C
11	HORIZONTAL	450	1516	1.053,00	1450	15,5	4,1	549	472	$\phi = 3,8005 * \Delta t^{1,2712}$
14		570	1516	1.299,00	1450	19,0	5,1	698	600	$\phi = 4,6612 * \Delta t^{1,2804}$

* For output at different Δt than 50°C, see page 162.GOLD VILLA
A W A R D

LOLA® INOX DECOR

N° ELEMENTS	Version	Height	Width	Price	Pipe Centres	Dry Weight	Water Content	Thermal output $\Delta t = 50^{\circ}\text{C}$		75/65/20°C ($\Delta t=50^{\circ}\text{C}$)
		[mm]	L [mm]	€	I [mm]	[Kg]	[lt]	Watts	Kcal/h	* Thermal output ϕ in Watts and Δt in °C
11	HORIZONTAL	450	1516	1.621,00	1450	15,5	4,1	484	416	$\phi = 3,4571 * \Delta t^{1,2632}$
14		570	1516	2.027,00	1450	19,0	5,1	616	530	$\phi = 4,2047 * \Delta t^{1,2748}$

* For output at different Δt than 50°C, see page 162.



LOLA[®] VERTICAL

POLISHED STAINLESS STEEL / SATIN STAINLESS STEEL / DECOR

INOX

Destination bathroom: comfort and relax shaped into Lola sinuous and surrounding design. Entirely made in stainless steel Lola[®] will catch your eyes with the reflection of light created by the polish finishing or by the elegance of the satin one, to make your bathroom unique and comfortable. Lola[®] is available both horizontal and vertical and can be dressed with useful accessories.

Material:

- Horizontal collectors in stainless steel with \varnothing of 38 mm.
- Vertical heating elements in stainless steel 30x10 mm.

Fixing kit:

- Brackets
- Airvent
- Blind Plug
- Hexagonal tool
- Plugs and screws for mounting suitable for use on compact or hollow brick walls
- User notice

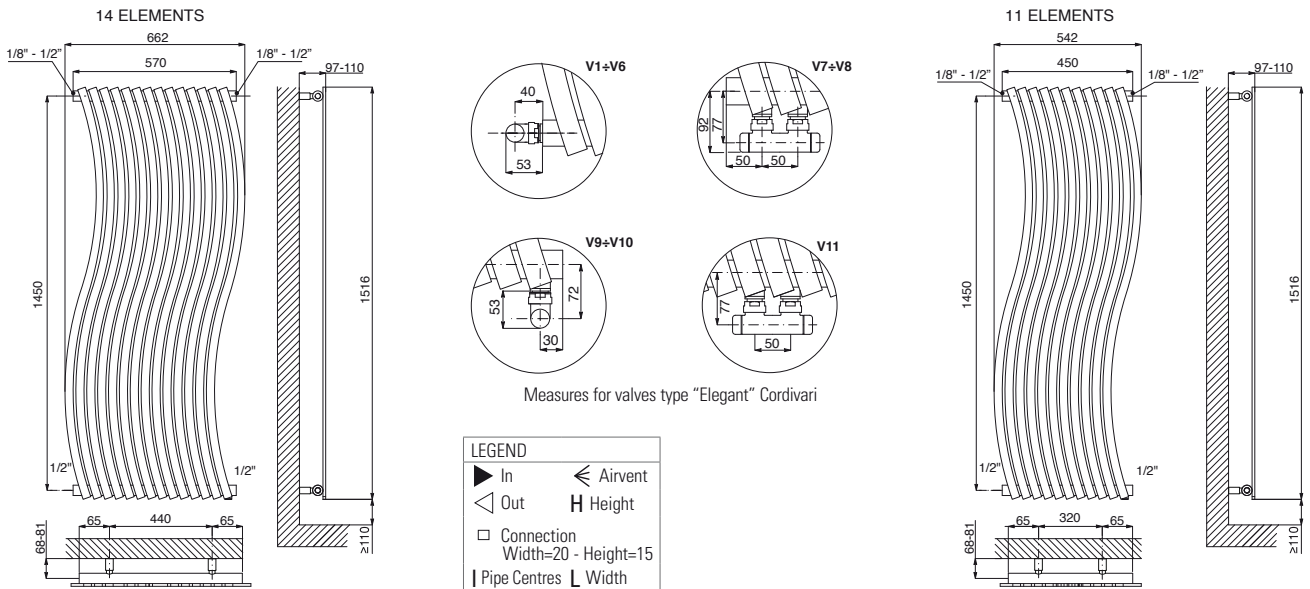
Packaging:

The radiator is protected by a recyclable film in polyethylene and with a box in recyclable carton. User notice included.

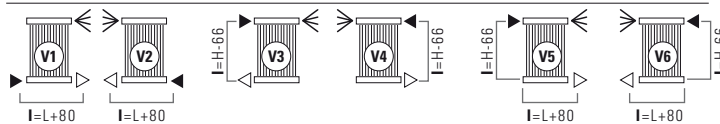
Features:

It is totally made in stainless steel with an unalterable finishing guaranteed during the years.

P. max: 8 bar	Available for central heating systems
T. max: 95° C	Connections: n° 2 x 1/2" gas - n° 1 x 1/8" gas

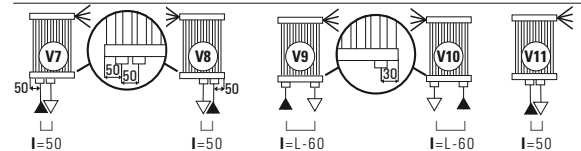


STANDARD CONNECTIONS



Always specify the kind of connection needed when ordering (from V1 to V11). Bidirectional connection not possible.

SPECIAL CONNECTIONS (Surcharge € 50,00)



ACCESSORIES



C	Code Nr.	M	Code Nr.
Ø 10/12/14/15/16	5991990301010	Ø 14/16/18	5991990301009
Price € 125,00		Price € 122,00	
C = Copper connection • M = Multilayer connection			

C	Code Nr.	M	Code Nr.
Ø 10/12/14/15/16	5991990321010	Ø 14/16/18	5991990321009
Price € 172,00		Price € 165,00	
C = Copper connection • M = Multilayer connection			

Accessories and spare parts - see page 157.


**GOLD VILLA
A W A R D**
LOLA® POLISHED STAINLESS STEEL

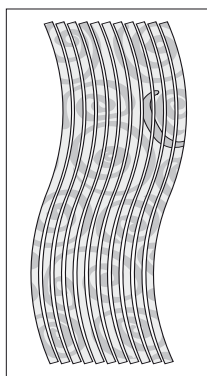
N° ELEMENTS	Version	Height	Width	Price	Pipe Centres	Dry Weight	Water Content	Thermal output $\Delta t = 50^{\circ}\text{C}$		75/65/20°C ($\Delta t=50^{\circ}\text{C}$)
		[mm]	L [mm]	€	l [mm]	[Kg]	[lt]	Watts	Kcal/h	* Thermal output ϕ in Watts and Δt in °C
11	VERTICAL	1516	450	1.552,00	1450	15,5	4,1	507	436	$\phi = 3,4634 * \Delta t^{1,2746}$
14		1516	570	1.951,00	1450	19,0	5,1	645	555	$\phi = 4,1843 * \Delta t^{1,2878}$

* For output at different Δt than 50°C , see page 162.


**GOLD VILLA
A W A R D**
LOLA® SATIN STAINLESS STEEL

N° ELEMENTS	Version	Height	Width	Price	Pipe Centres	Dry Weight	Water Content	Thermal output $\Delta t = 50^{\circ}\text{C}$		75/65/20°C ($\Delta t=50^{\circ}\text{C}$)
		[mm]	L [mm]	€	l [mm]	[Kg]	[lt]	Watts	Kcal/h	* Thermal output ϕ in Watts and Δt in °C
11	VERTICAL	1516	450	1.053,00	1450	15,5	4,1	557	479	$\phi = 3,7067 * \Delta t^{1,2811}$
14		1516	570	1.299,00	1450	19,0	5,1	708	609	$\phi = 4,4847 * \Delta t^{1,2939}$

* For output at different Δt than 50°C , see page 162.


**GOLD VILLA
A W A R D**
LOLA® INOX DECOR

N° ELEMENTS	Version	Height	Width	Price	Pipe Centres	Dry Weight	Water Content	Thermal output $\Delta t = 50^{\circ}\text{C}$		75/65/20°C ($\Delta t=50^{\circ}\text{C}$)
		[mm]	L [mm]	€	l [mm]	[Kg]	[lt]	Watts	Kcal/h	* Thermal output ϕ in Watts and Δt in °C
11	VERTICAL	1516	450	1.621,00	1450	15,5	4,1	507	436	$\phi = 3,4634 * \Delta t^{1,2746}$
14		1516	570	2.027,00	1450	19,0	5,1	645	555	$\phi = 4,1843 * \Delta t^{1,2878}$

* For output at different Δt than 50°C , see page 162.



BLOW[®]

POLISHED STAINLESS STEEL

INOX

Design: Jean-Marie Massaud

"We have designed a product that gives architects the opportunity to fulfil their requirements in terms of design. This home equipment combines efficiency and high-quality heating technique with excellent track-records. It is a simple, refined and architectural system, that can easily be arranged and laid out in any interior"

J.M.Massaud

Material:

- Polished Stainless Steel

Fixing kit:

- Brackets
- Hexagonal tool
- Plugs and screws for mounting suitable for use on compact or hollow brick walls
- User notice

Valve kit include:

- Valves with thermostatic head
- Fittings for copper pipe (ø 10/12/14/15/16)
- Fittings for multilayer pipe (ø 14/16/18)

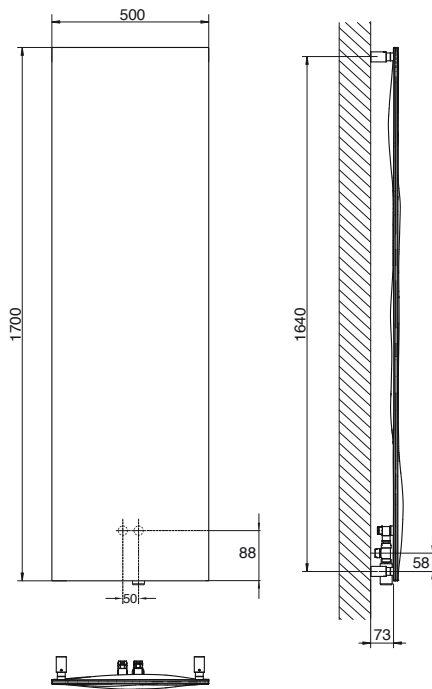
Packaging:

The radiator is protected by a wooden crate and carton. User notice included.

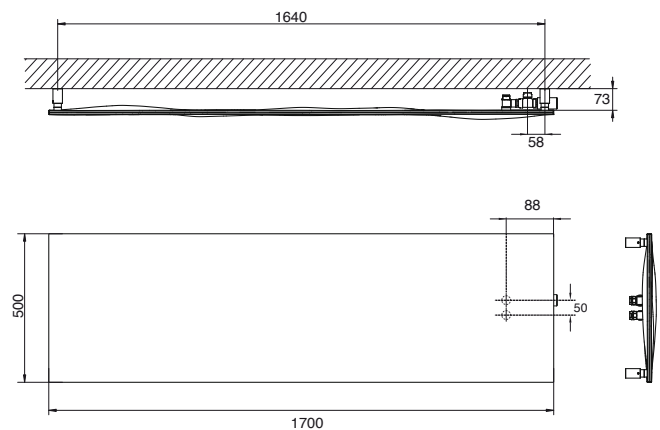
Features:

It is totally made in stainless steel with an unalterable finishing. Brightness guaranteed during the years.

P. max: 5 bar
T. max: 95° C
Available for central heating systems



reddot design award
best of the best 2012



BLOW[®]

Code Nr.	Height	Width	Price €	Pipe Centres l [mm]	Dry Weight [Kg]	Water Content [lt]	Thermal output Δt = 50°C		75/65/20°C (Δt=50°C)
	[mm]	L [mm]					Watts	Kcal/h	* Thermal output φ in Watts and Δt in °C
3540640130001	1700	500	1.980,00	50	18,7	1,3	700	602	φ = 5,8126 * Δt ^{1.2247}
3540640130001	500	1700							φ = 5,8126 * Δt ^{1.2247}

* For output at different Δt than 50°C, see page 162.

Prices include valve kit and thermostatic head, in accordance with EN215:2007



KELLY

POLISHED STAINLESS STEEL

INOX

Minimal shapes for this new model in polished stainless steel. Two vertical collectors supporting the horizontal tubes acting as useful towel hangers. Quality of finishing gives to this model elegance and refinement.

- Material:**
- Vertical collectors in polished stainless steel with ϕ of 38 mm.
 - Horizontal heating elements in polished stainless steel with ϕ of 18 mm

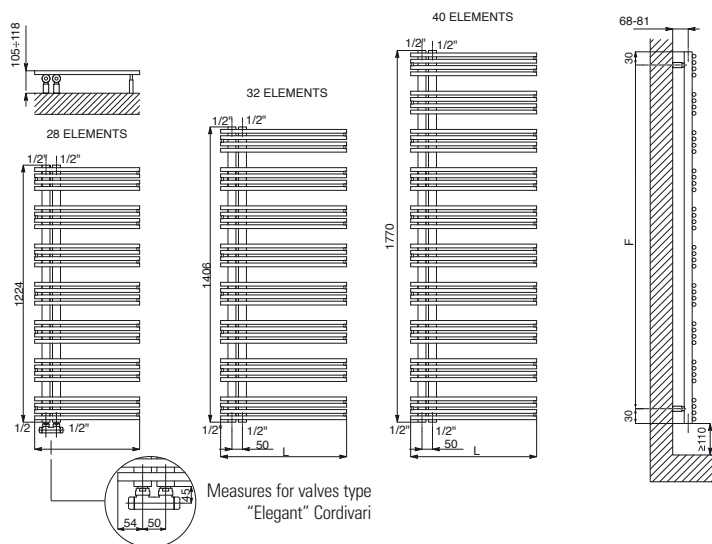
- Fixing kit:**
- Brackets
 - Airvent
 - Hexagonal tool
 - Plugs and screws for mounting suitable for use on compact or hollow brick walls
 - User notice

Packaging:
The radiator is protected by a recyclable film in polyethylene and with a box in recyclable carton. User notice included.

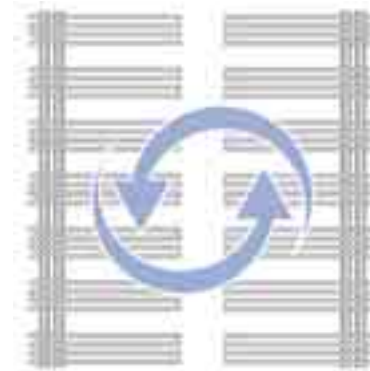
Features:
It is totally made in stainless steel with an unalterable finishing. Brightness guaranteed during the years.

Accessories and spare parts:
See page 157.

P. max: 8 bar	Available for central heating systems
T. max: 95° C	Connections: n° 4 x 1/2" gas



UPSIDE DOWN



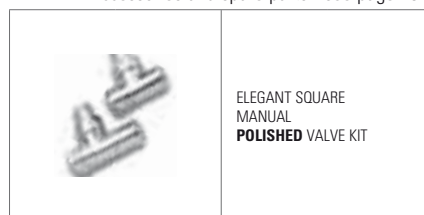
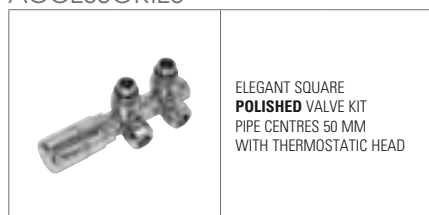
KELLY

Code Nr.	Height	Width	Price	Pipe Centres	Fixing kit centres	Dry Weight	Water Content	Thermal output $\Delta t = 50^{\circ}\text{C}$		75/65/20°C ($\Delta t=50^{\circ}\text{C}$)
	[mm]	L [mm]						Watts	Kcal/h	
3551780400101	1224	500	741,00	50	1164	10,1	4,5	441	379	$\phi = 2,8576 * \Delta t^{1,2881}$
3551780400111		600	880,00	50	1164	11,4	4,6	512	440	$\phi = 3,3568 * \Delta t^{1,2851}$
3551780400102	1406	500	895,00	50	1346	11,3	5,2	496	427	$\phi = 3,4611 * \Delta t^{1,2692}$
3551780400112		600	1.030,00	50	1346	12,9	5,4	594	511	$\phi = 3,8777 * \Delta t^{1,2862}$
3551780400103	1770	500	1.120,00	50	1710	14,4	6,4	634	545	$\phi = 3,9367 * \Delta t^{1,2990}$
3551780400113		600	1.238,00	50	1710	16,3	7,0	738	635	$\phi = 4,8746 * \Delta t^{1,2832}$

* For output at different Δt than 50°C , see page 162.

ACCESSORIES

Accessories and spare parts - see page 157.



C	Code Nr.	M	Code Nr.
\emptyset 10/12/14/15/16	5991990301040	\emptyset 14/16/18	5991990301039
Price € 190,00		Price € 187,00	
C = Copper connection • M = Multilayer connection			

C	Code Nr.	M	Code Nr.
\emptyset 10/12/14/15/16	5991990301026	\emptyset 14/16/18	5991990301025
Price € 175,00		Price € 174,00	
C = Copper connection • M = Multilayer connection			

C	Code Nr.	M	Code Nr.
\emptyset 10/12/14/15/16	5991990301012	\emptyset 14/16/18	5991990301011
Price € 107,00		Price € 105,00	
C = Copper connection • M = Multilayer connection			



FRAME

POLISHED STAINLESS STEEL / DECOR

FRAME PLUS

POLISHED STAINLESS STEEL / DECOR

INOX

An incomparable design, a journey inside the most beautiful living atmosphere. The new model Frame evidences the purity of the design and offers different possibilities: Frame Inox Polished, which produces light effects and Frame Inox Decor which is made on polished basis with satin graphics.

Material:
 Heating plate:
 - Polished stainless steel (FRAME INOX)
 - Satin stainless steel decor on a polish base (FRAME DECOR)

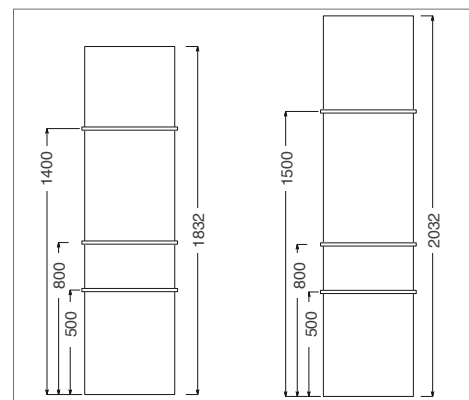
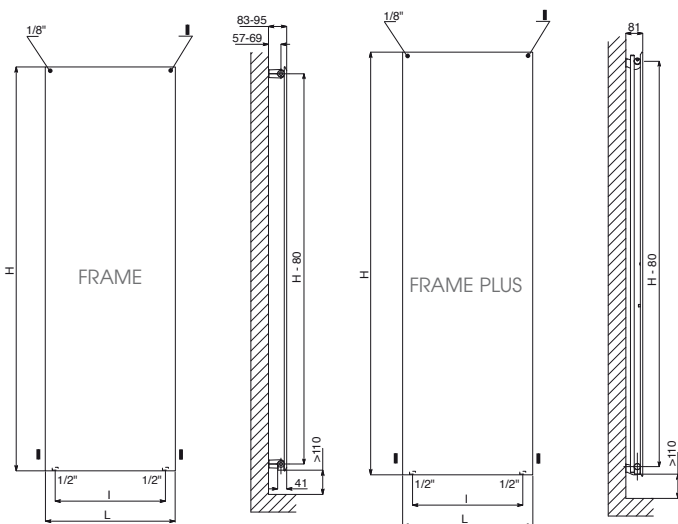
Fixing kit:
 • Brackets
 • Airvent
 • Hexagonal tool
 • Plugs and screws for mounting suitable for use on compact or hollow brick walls
 • User notice

Packaging:
 The radiator is protected by a recyclable film in polyethylene and with a box in recyclable carton. User notice included.

Features:
 It is totally made in stainless steel with an unalterable finishing. Brightness guaranteed during the years.

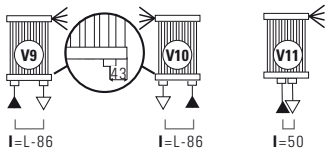
Accessories and spare parts:
 See page 157.

P. max: 5 bar	Available for central heating systems
T. max: 95° C	Connections: n° 2 x 1/2" gas - n° 1 x 1/8" gas for Airvent

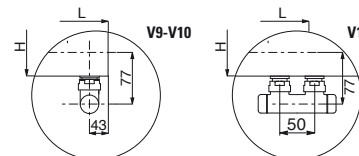


How to place kit 3 straight hangers

CONNECTIONS



Always specify the kind of connection needed when ordering (V9/V10/V11). Bidirectional connection not possible.



Measures for valves type "Elegant" Cordivari

ACCESSORIES

	STRAIGHT HANGER SATIN STAINLESS STEEL (L= 516 mm) Price € 172,00 Code Nr. 5991990010208
	(L= 628 mm) Price € 182,00 Code Nr. 5991990010209

	ELEGANT SQUARE VALVE KIT WITH THERMOSTATIC HEAD
--	---

LEGEND	
	In
	Airvent
	Out
	H Height
	Connection Width=20 - Height=15
	Blind Plug
	Pipe Centres L Width

	KIT 3 STRAIGHT HANGERS SATIN STAINLESS STEEL (L= 516 mm) Price € 431,00 Code Nr. 5991990310241
	(L= 628 mm) Price € 452,00 Code Nr. 5991990310242

POLISHED			
C	Code Nr.	M	Code Nr.
Ø 10/12/14/15/16	5991990301026	Ø 14/16/18	5991990301025
Price € 175,00		Price € 174,00	
C = Copper connection • M = Multilayer connection			

SATIN			
C	Code Nr.	M	Code Nr.
Ø 10/12/14/15/16	5991990321012	Ø 14/16/18	5991990321011
Price € 246,00		Price € 238,00	
C = Copper connection • M = Multilayer connection			



FRAME POLISHED STAINLESS STEEL

Height	Width	Price	Pipe Centres (V9 - V10)	Dry Weight	Water Content	Thermal output $\Delta t = 50^{\circ}\text{C}$		75/65/20°C ($\Delta t=50^{\circ}\text{C}$)
H [mm]	L [mm]	€	l [mm]	[Kg]	[lt]	Watts	Kcal/h	Thermal output ϕ in Watts and Δt in °C
1832	474	1.100,00	388	25,1	5,6	880	757	$\phi = 5,7949 * \Delta t^{1,2840}$
	586	1.205,00	500	31,3	7,0	1100	946	$\phi = 7,2436 * \Delta t^{1,2840}$
2032	474	1.138,00	388	27,3	5,8	978	841	$\phi = 6,4388 * \Delta t^{1,2840}$
	586	1.243,00	500	34,1	7,2	1222	1051	$\phi = 8,0484 * \Delta t^{1,2840}$

FRAME PLUS POLISHED STAINLESS STEEL

Height	Width	Price	Pipe Centres (V9 - V10)	Dry Weight	Water Content	Thermal output $\Delta t = 50^{\circ}\text{C}$		75/65/20°C ($\Delta t=50^{\circ}\text{C}$)
H [mm]	L [mm]	€	l [mm]	[Kg]	[lt]	Watts	Kcal/h	* Thermal output ϕ in Watts and Δt in °C
1832	474	1.511,00	388	35,7	11,2	1215	1045	$\phi = 9,5799 * \Delta t^{1,2840}$
	586	1.618,00	500	45,1	13,7	1518	1305	$\phi = 11,9749 * \Delta t^{1,2840}$
2032	474	1.575,00	388	39,5	12,3	1325	1140	$\phi = 10,3224 * \Delta t^{1,2840}$
	586	1.699,00	500	49,9	15,0	1656	1424	$\phi = 12,9030 * \Delta t^{1,2840}$

* For output at different Δt than 50°C , see page 162.



FRAME INOX DECOR

Height	Width	Price	Pipe Centres (V9 - V10)	Dry Weight	Water Content	Thermal output $\Delta t = 50^{\circ}\text{C}$		75/65/20°C ($\Delta t=50^{\circ}\text{C}$)
H [mm]	L [mm]	€	l [mm]	[Kg]	[lt]	Watts	Kcal/h	* Thermal output ϕ in Watts and Δt in °C
1832	474	1.789,00	388	25,1	5,6	880	757	$\phi = 5,7949 * \Delta t^{1,2840}$
	586	1.830,00	500	31,3	7,0	1100	946	$\phi = 7,2436 * \Delta t^{1,2840}$
2032	474	1.917,00	388	27,3	5,8	978	841	$\phi = 6,4388 * \Delta t^{1,2840}$
	586	1.962,00	500	34,1	7,2	1222	1051	$\phi = 8,0484 * \Delta t^{1,2840}$

FRAME PLUS INOX DECOR

Height	Width	Price	Pipe Centres (V9 - V10)	Dry Weight	Water Content	Thermal output $\Delta t = 50^{\circ}\text{C}$		75/65/20°C ($\Delta t=50^{\circ}\text{C}$)
H [mm]	L [mm]	€	l [mm]	[Kg]	[lt]	Watts	Kcal/h	* Thermal output ϕ in Watts and Δt in °C
1832	474	2.269,00	388	35,7	11,2	1215	1045	$\phi = 9,5799 * \Delta t^{1,2840}$
	586	2.431,00	500	45,1	13,7	1518	1305	$\phi = 11,9749 * \Delta t^{1,2840}$
2032	474	2.322,00	388	39,5	12,3	1325	1140	$\phi = 10,3224 * \Delta t^{1,2840}$
	586	2.485,00	500	49,9	15,0	1656	1424	$\phi = 12,9030 * \Delta t^{1,2840}$

* For output at different Δt than 50°C , see page 162.



BABYLA

POLISHED / SATIN STAINLESS STEEL

INOX

Design: Mariano Moroni

XXI century, the beauty of minimalism, the drawing of a big designer: Babyla, a decorative radiator with simple and elegant lines, which finds its power in the purity of the stainless steel and its simple aesthetical line that represents an eternal decorative element. Completely built in satin or polished stainless steel, Babyla can be dressed with practical and useful accessories as shelves, mirror or hooks.

Material:

- Vertical collectors in stainless steel with \varnothing of 38 mm.
- Horizontal heating elements in stainless steel 30x10 mm.

Fixing kit:

- Brackets
- Airvent
- Hexagonal tool
- Plugs and screws for mounting suitable for use on compact or hollow brick walls
- User notice

Packaging:

The radiator is protected by a recyclable film in polyethylene and with a box in recyclable carton. User notice included.

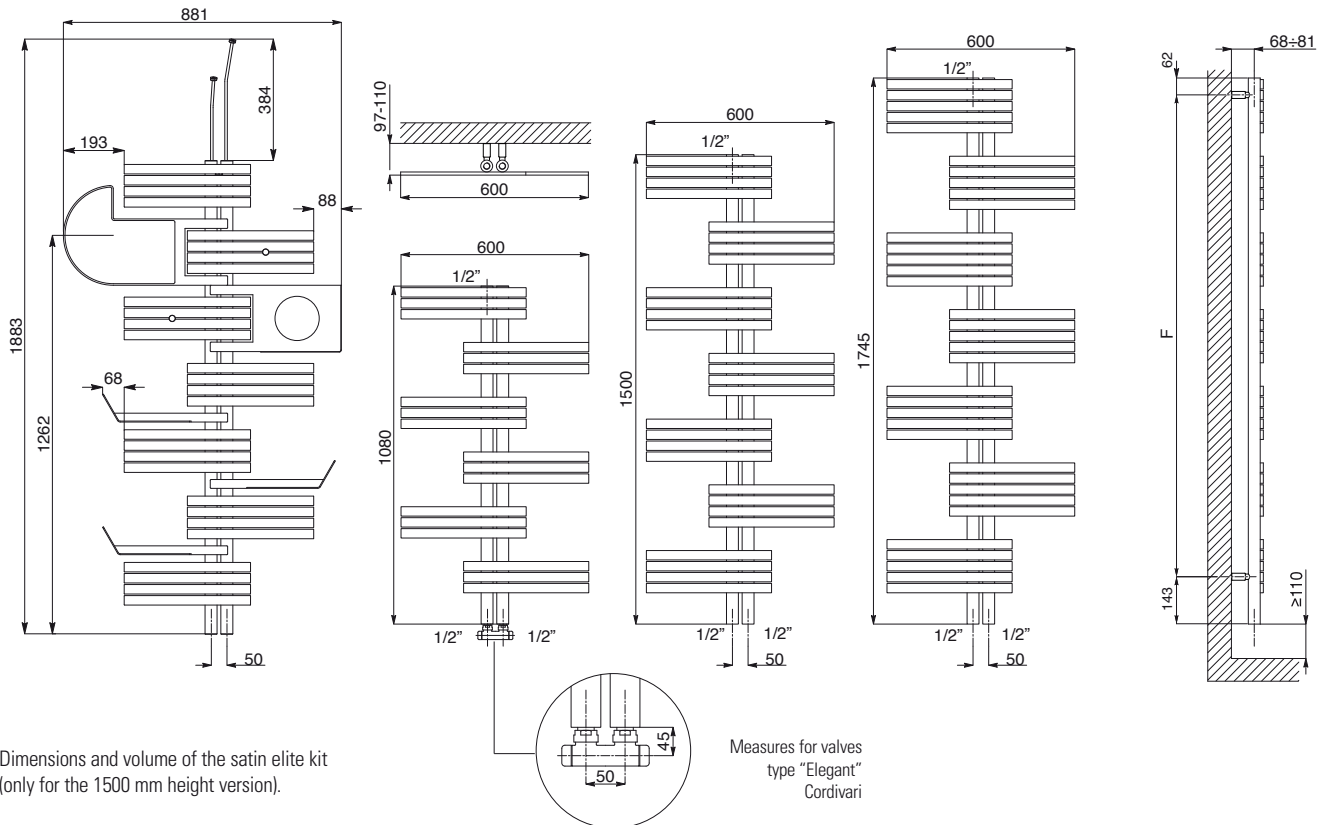
Features:

It is totally made in stainless steel with an unalterable finishing. Brightness guaranteed during the years.

Accessories and spare parts:

See page 157.

P. max: 8 bar	Available for central heating systems
T. max: 95° C	Connections: n° 2 x 1/2" gas - n° 1 x 1/2" gas for Airvent



ACCESSORIES

<p>KIT ELITE SATIN (ONLY FOR BABYLA H 1500)</p> <p>Price € 1.099,00</p> <p>Code Nr. 510200000104</p>						
See next page for size	N° 1 Mirror	N° 1 Shelf for books	N° 1 Elegant square satin valve kit Pipe Centres 50 mm with thermostatic head*	N° 2 hooks for hanging clothes satin stainless steel ø 20 mm	N° 3 Shelves (2 on the left, 1 on the right)	N° 1 Antenna for hanging clothes

* Either when buying the "Elite kit" or the single valve, always specify in the order, which kind of connection is needed: copper or multilayer. See page 157.



BABYLA POLISHED STAINLESS STEEL

Code Nr.	Height	Width	Price	Pipe Centres	Fixing kit centres	Dry Weight	Water Content	Thermal output $\Delta t = 50^{\circ}\text{C}$		75/65/20°C ($\Delta t=50^{\circ}\text{C}$)
	[mm]	L [mm]	€	I [mm]	F [mm]	[Kg]	[lt]	Watts	Kcal/h	(*) Thermal output ϕ in Watts and Δt in °C
3551730130011	1080	600	1.230,00	50	875	9,2	3,4	233	200	$\phi = 1,8576 * \Delta t$ ^{1,2351}
3551730130012	1500	600	1.764,00	50	1275	13,3	4,5	333	286	$\phi = 2,3281 * \Delta t$ ^{1,2687}
3551730130013	1745	600	1.990,00	50	1540	16,9	6,0	395	340	$\phi = 2,5365 * \Delta t$ ^{1,2904}

* For output at different Δt than 50°C, see page 162.



BABYLA SATIN STAINLESS STEEL

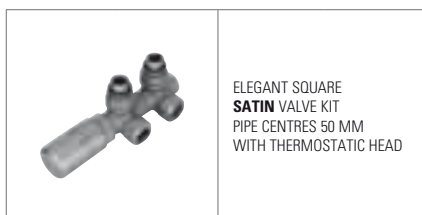
Code Nr.	Height	Width	Price	Pipe Centres	Fixing kit centres	Dry Weight	Water Content	Thermal output $\Delta t = 50^{\circ}\text{C}$		75/65/20°C ($\Delta t=50^{\circ}\text{C}$)
	[mm]	L [mm]	€	I [mm]	F [mm]	[Kg]	[lt]	Watts	Kcal/h	* Thermal output ϕ in Watts and Δt in °C
3551730130001	1080	600	953,00	50	875	8,8	3,2	250	216	$\phi = 1,9932 * \Delta t$ ^{1,2351}
3551730130002	1500	600	1.358,00	50	1275	13,3	4,5	357	307	$\phi = 2,4966 * \Delta t$ ^{1,2686}
3551730130003	1745	600	1.538,00	50	1540	16,5	5,4	423	364	$\phi = 2,7164 * \Delta t$ ^{1,2904}

* For output at different Δt than 50°C, see page 162.

ACCESSORIES



C	Code Nr.	M	Code Nr.
Ø 10/12/14/15/16	5991990301040	Ø 14/16/18	5991990301039
Price € 190,00		Price € 187,00	
C = Copper connection • M = Multilayer connection			



C	Code Nr.	M	Code Nr.
Ø 10/12/14/15/16	5991990301044	Ø 14/16/18	5991990301043
Price € 268,00		Price € 263,00	
C = Copper connection • M = Multilayer connection			



Accessories and spare parts - see page 157.



RIO®

POLISHED / SATIN STAINLESS STEEL

INOX

Design: Paola Pinnavaia

RIO®, unique piece of art. Available in polished and satin stainless steel, draws its inspiration from nature; its gentle shape reminds a beautiful waterfall. The movements of the radiator give great energy sensations. Design tames the material, it's a thermal sculpture that lets you feel true emotions. Sweet curves and harmonic waves of heating elements show a strict relationship between appearance anatomy and logic of the object.

- Material:**
- Horizontal collectors in polished/satin stainless steel with \varnothing of 38 mm.
 - Vertical heating elements in polished/satin stainless steel with \varnothing of 25 mm.

- Fixing kit:**
- Brackets
 - Airvent
 - Hexagonal tool
 - Plugs and screws for mounting suitable for use on compact or hollow brick walls
 - User notice

Packaging:
The radiator is protected by a recyclable film in polyethylene and with a box in recyclable carton. User notice included.

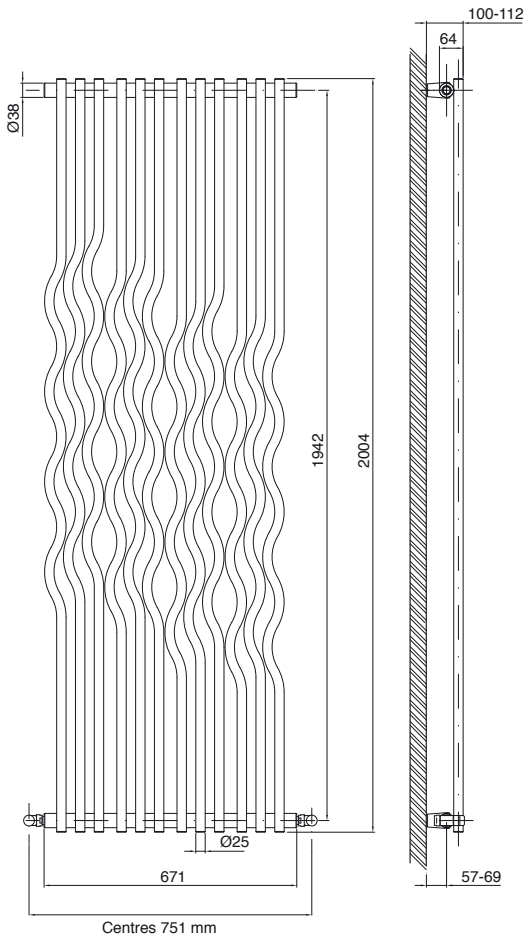
Features:
It is totally made in stainless steel with an unalterable finishing. Brightness guaranteed during the years.

Accessories and spare parts:
See page 157.

P. max: 8 bar	Available for central heating systems
T. max: 95° C	Connections: n° 2 x 1/2" gas - n° 1 x 1/8" gas for Airvent

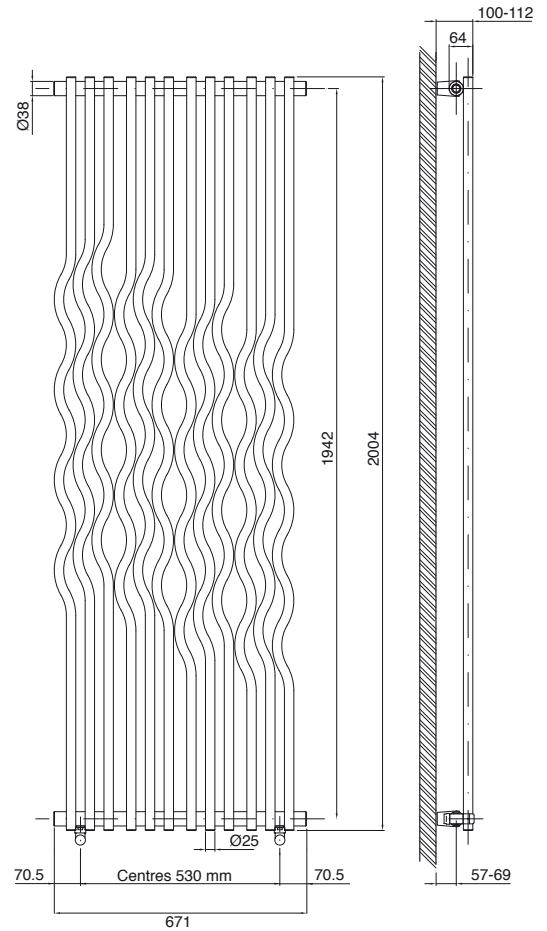


V1 - V2

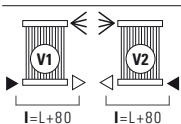


With Cordivari Elegant valve.

V9 - V10

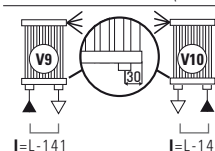


STANDARD CONNECTIONS



Always specify the kind of connection needed when ordering (V1 - V2 - V9 - V10). Bidirectional connection not possible.

SPECIAL CONNECTIONS (Surcharge € 50,00)



LEGEND	
▶ In	◀ Airvent
◁ Out	H Height
□ Connection	Width=20 - Height=15
Pipe Centres	L Width

CORDIVARI
DESIGN



RIO® POLISHED STAINLESS STEEL

Height [mm]	Width L [mm]	FINISHING	Price	Pipe Centres (V1-V2) l [mm]	Dry Weight [Kg]	Water Content [lt]	Thermal output $\Delta t = 50^{\circ}\text{C}$		75/65/20°C ($\Delta t=50^{\circ}\text{C}$) * Thermal output ϕ in Watts and Δt in °C
			€				Watts	Kcal/h	
2000	671	POLISHED	2.635,00	751	26	16,6	807	694	$\phi = 5,8801 * \Delta t^{1,2581}$

Pipe Centres refers to the radiator valves Elegant Cordivari.

* For output at different Δt than 50°C, see page 162.



RIO® SATIN STAINLESS STEEL

Height [mm]	Width L [mm]	FINISHING	Price	Pipe Centres (V1-V2) l [mm]	Dry Weight [Kg]	Water Content [lt]	Thermal output $\Delta t = 50^{\circ}\text{C}$		75/65/20°C ($\Delta t=50^{\circ}\text{C}$) * Thermal output ϕ in Watts and Δt in °C
			€				Watts	Kcal/h	
2000	671	SATIN	2.747,00	751	26	16,6	863	742	$\phi = 5,5531 * \Delta t^{1,2476}$

Pipe Centres refers to the radiator valves Elegant Cordivari.

* For output at different Δt than 50°C, see page 162.

ACCESSORIES



POLISHED

C	Code Nr.	M	Code Nr.
Ø 10/12/14/15/16	5991990301026	Ø 14/16/18	5991990301025
Price € 175,00		Price € 174,00	
C = Copper connection • M = Multilayer connection			

SATIN

C	Code Nr.	M	Code Nr.
Ø 10/12/14/15/16	5991990321012	Ø 14/16/18	5991990321011
Price € 246,00		Price € 238,00	
C = Copper connection • M = Multilayer connection			



POLISHED

C	Code Nr.	M	Code Nr.
Ø 10/12/14/15/16	5991990301012	Ø 14/16/18	5991990301011
Price € 107,00		Price € 105,00	
C = Copper connection • M = Multilayer connection			

SATIN

C	Code Nr.	M	Code Nr.
Ø 10/12/14/15/16	5991990321014	Ø 14/16/18	5991990321013
Price € 150,00		Price € 141,00	
C = Copper connection • M = Multilayer connection			



STRADIVARI VERTICAL

SATIN STAINLESS STEEL

INOX

Design: Luca Scacchetti

Stradivari is based on the idea to combine different size of heating elements. A radiator with an everlasting style, where the linear geometry of the satin stainless steel heating elements exploits and defines each room.

Material:

- Horizontal collectors in satin stainless steel
- Vertical heating elements in satin stainless steel

Fixing kit:

- Brackets
- Airvent
- Blind Plug
- Hexagonal tool
- Plugs and screws for mounting suitable for use on compact or hollow brick walls
- User notice

Packaging:

The radiator is protected by a recyclable film in polyethylene and with a box in recyclable carton. User notice included.

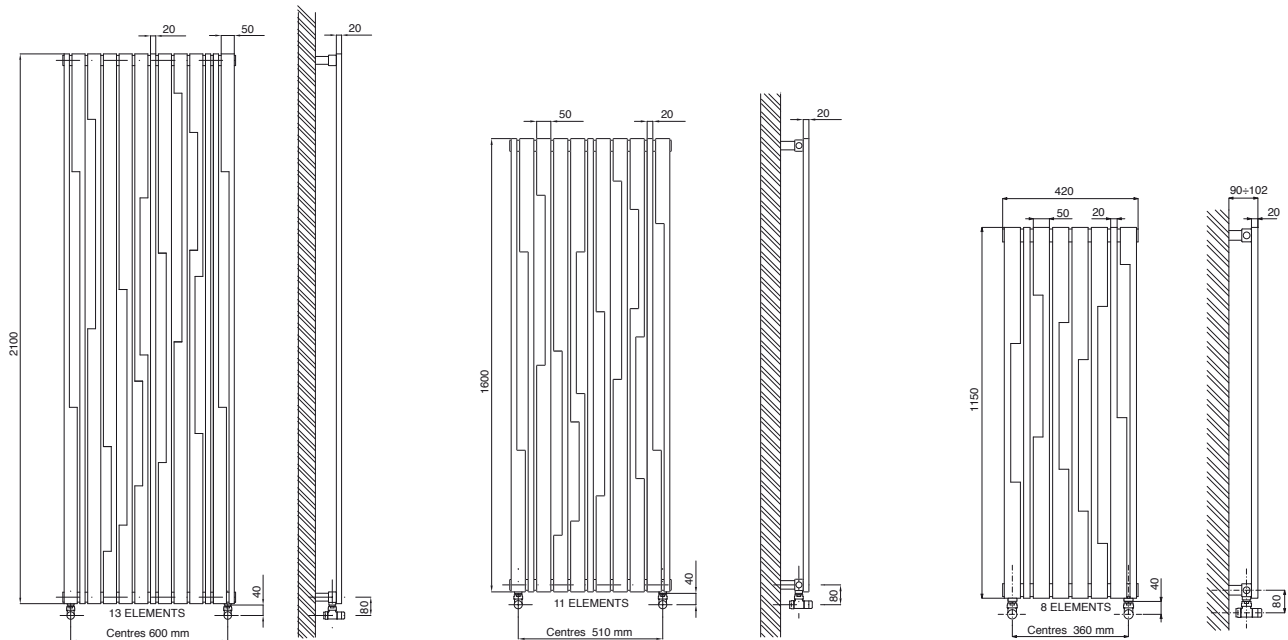
Features:

It is totally made in stainless steel with an unalterable finishing guaranteed during the years.

Accessories and spare parts:

See page 157.

P. max: 8 bar	Available for central heating systems
T. max: 95° C	Connections: n° 4 x 1/2" gas



STRADIVARI VERTICAL SATIN STAINLESS STEEL

Code Nr.	Height	Width	Price	Pipe Centres	Dry Weight	Water Content	Thermal output $\Delta t = 50^{\circ}\text{C}$		75/65/20°C ($\Delta t=50^{\circ}\text{C}$)
	[mm]	L [mm]		€	l [mm]	[Kg]	[lt]	Watts	Kcal/h
3620760450002	2100	660	4.786,00	600	37	15	1084	932	$\phi = 6,7045 * \Delta t^{1,3000}$
3620760450001	1600	570	4.410,00	510	25	9,3	713	613	$\phi = 4,2357 * \Delta t^{1,3103}$
3620760450005	1150	420	3.425,00	360	14	6	378	325	$\phi = 2,4312 * \Delta t^{1,2900}$

* For output at different Δt than 50°C, see page 162.

ACCESSORIES



C	Code Nr.	M	Code Nr.
Ø 10/12/14/15/16	5991990321014	Ø 14/16/18	5991990321013
Price € 150,00		Price € 141,00	
C = Copper connection • M = Multilayer connection			

C	Code Nr.	M	Code Nr.
Ø 10/12/14/15/16	5991990321031	Ø 14/16/18	5991990321029
Price € 258,00		Price € 247,00	
C = Copper connection • M = Multilayer connection			



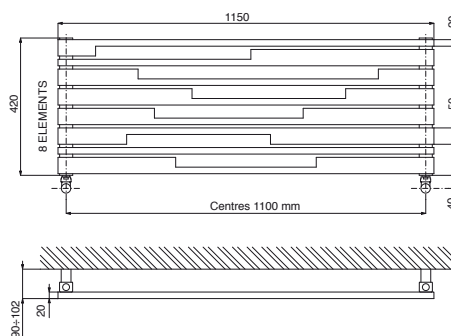
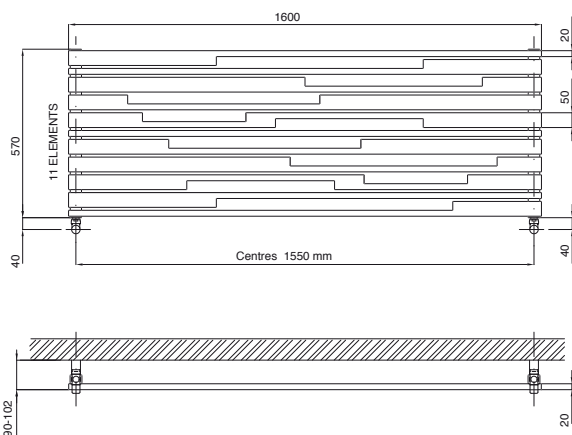
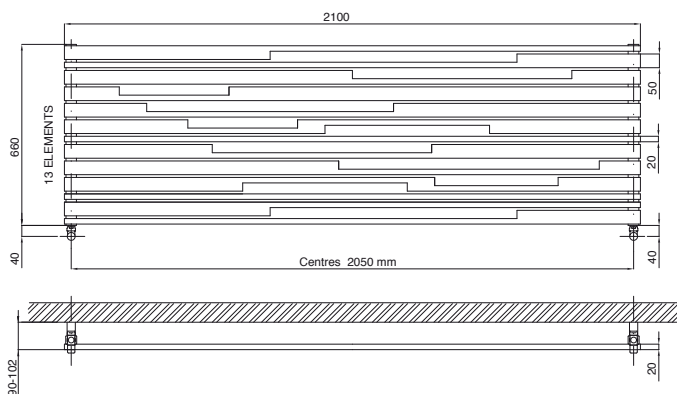
STRADIVARI HORIZONTAL

SATIN STAINLESS STEEL

INOX

Design: Luca Scacchetti

P. max: 8 bar	Available for central heating systems
T. max: 95° C	Connections: n° 4 x 1/2" gas



STRADIVARI HORIZONTAL SATIN STAINLESS STEEL

Code Nr.	Height	Width	Price	Pipe Centres	Dry Weight	Water Content	Thermal output $\Delta t = 50^{\circ}\text{C}$		75/65/20°C ($\Delta t = 50^{\circ}\text{C}$)
	[mm]	L [mm]		€			l [mm]	[Kg]	[lt]
3620760450004	660	2100	4.786,00	2050	37	15	997	857	$\phi = 9,1187 * \Delta t^{1,2000}$
3620760450003	570	1600	4.410,00	1550	25	9,3	656	564	$\phi = 6,8566 * \Delta t^{1,1659}$
3620760450006	420	1150	3.425,00	1100	14	6	347	298	$\phi = 3,0519 * \Delta t^{1,2100}$

* For output at different Δt than 50°C, see page 162.

ACCESSORIES



C	Code Nr.	M	Code Nr.
Ø 10/12/14/15/16	5991990321014	Ø 14/16/18	5991990321013
Price € 150,00		Price € 141,00	
C = Copper connection • M = Multilayer connection			

C	Code Nr.	M	Code Nr.
Ø 10/12/14/15/16	5991990321031	Ø 14/16/18	5991990321029
Price € 258,00		Price € 247,00	
C = Copper connection • M = Multilayer connection			

Accessories and spare parts - see page 157.



RENÉE

POLISHED / SATIN STAINLESS STEEL

INOX

Design: Mariano Moroni

Surrounding warming and curving geometries improve each reflecting images.
The two groups polished or satin stainless steel seem to fight each other to capture the light in a central mirror.
Renée is available in polished and satin finishing.

- Material:**
- Horizontal collectors in polished/satin stainless steel with ϕ of 38 mm.
 - Vertical heating elements in polished/satin stainless steel 30x10 mm.

- Fixing kit:**
- Brackets
 - Airvent
 - Blind Plug
 - Hexagonal tool
 - Plugs and screws for mounting suitable for use on compact or hollow brick walls

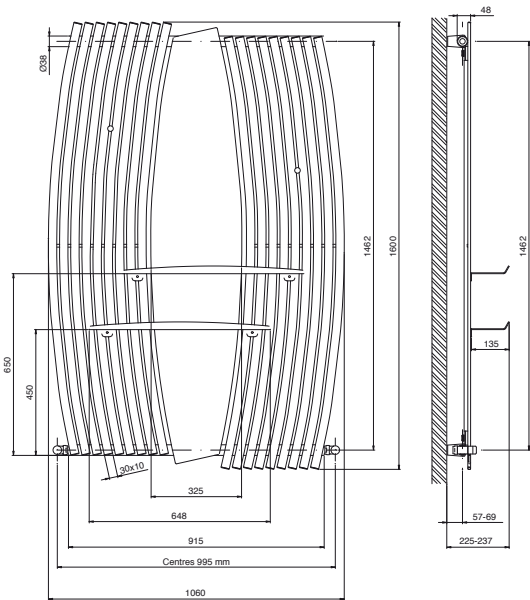
- User notice

Packaging:
The radiator is protected by a wooden crate.
User notice included.

- Features:**
- It is totally made in stainless steel with an unalterable finishing guaranteed during the years.
 - Standard with 1 mirror, 2 hooks and 2 shelves.

Accessories and spare parts:
See page 157.

P. max: 8 bar	Available for central heating systems
T. max: 95° C	Connections: n° 2 x 1/2" gas - n° 1 x 1/8" gas for Airvent



With Cordivari Elegant valve.

STANDARD CONNECTIONS



Bidirectional connection not possible.

LEGEND	
▶ In	◀ Airvent
◁ Out	H Height
□ Connection	Width=20 - Height=15
Pipe Centres	L Width

RENÉE POLISHED / SATIN STAINLESS STEEL

Code Nr.	Height [mm]	Width L [mm]	FINISHING	Price	Pipe Centres	Dry Weight	Water Content	Thermal output $\Delta t = 50^{\circ}\text{C}$		75/65/20°C ($\Delta t=50^{\circ}\text{C}$)
				€	l [mm]	[Kg]	[lt]	Watts	Kcal/h	* Thermal output ϕ in Watts and Δt in °C
3620740400011	1600	1060	POLISHED	4.299,00	995	32	7,1	805	692	$\phi = 4,4776^* \Delta t^{1,3271}$
3620740130070		1060	SATIN	3.308,00	995	32	6,8	860	740	$\phi = 4,7835^* \Delta t^{1,3271}$

* For output at different Δt than 50°C, see page 162.

ACCESSORIES



POLISHED

C	Code Nr.	M	Code Nr.
Ø 10/12/14/15/16	5991990301012	Ø 14/16/18	5991990301011
Price € 107,00		Price € 105,00	
C = Copper connection • M = Multilayer connection			

POLISHED

C	Code Nr.	M	Code Nr.
Ø 10/12/14/15/16	5991990301026	Ø 14/16/18	5991990301025
Price € 175,00		Price € 174,00	
C = Copper connection • M = Multilayer connection			

SATIN

C	Code Nr.	M	Code Nr.
Ø 10/12/14/15/16	5991990321014	Ø 14/16/18	5991990321013
Price € 150,00		Price € 141,00	
C = Copper connection • M = Multilayer connection			

SATIN

C	Code Nr.	M	Code Nr.
Ø 10/12/14/15/16	5991990321012	Ø 14/16/18	5991990321011
Price € 246,00		Price € 238,00	
C = Copper connection • M = Multilayer connection			



GIULY®

Design: Mariano Moroni

Giuly® the new radiator belonging to Extraslim® series. A concept of decorative radiators offering technology, thermal power and amazing shape in only 7mm thickness. Created and Designed by architect Mariano Moroni. Its archetype draws inspiration from the automotive industry, and his shape comes through the re-interpretation of details and graphics scans evoking grilles and vents. Giuly® is highly ergonomic with a concealed valve but with an easily accessible frontal thermostat regulator.

Material:

- Single heating element in painted carbon steel thickness 7 mm.

Fixing kit:

- Brackets
- Airvent
- Hexagonal tool
- Plugs and screws for mounting suitable for use on compact or hollow brick walls
- User notice

Valve kit included:

- Thermostatic Valves with frontal regulator
- Fittings for copper pipe (ø 10/12/14/15/16)
- Fittings for multilayer pipe (ø 14/16/18)

Packaging:
The radiator is protected by a recyclable film in polyethylene and with a box in recyclable carton. User notice included.

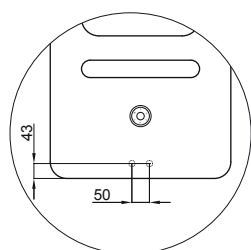
Painting process:
Painted with ecological epoxy powders 90 gloss brightness. (Certificate DIN 55900-1,-2)

Colours:
Radiator and accessories: standard white colour RAL9010. For other colours price has to be increased by 30%. See page 174.

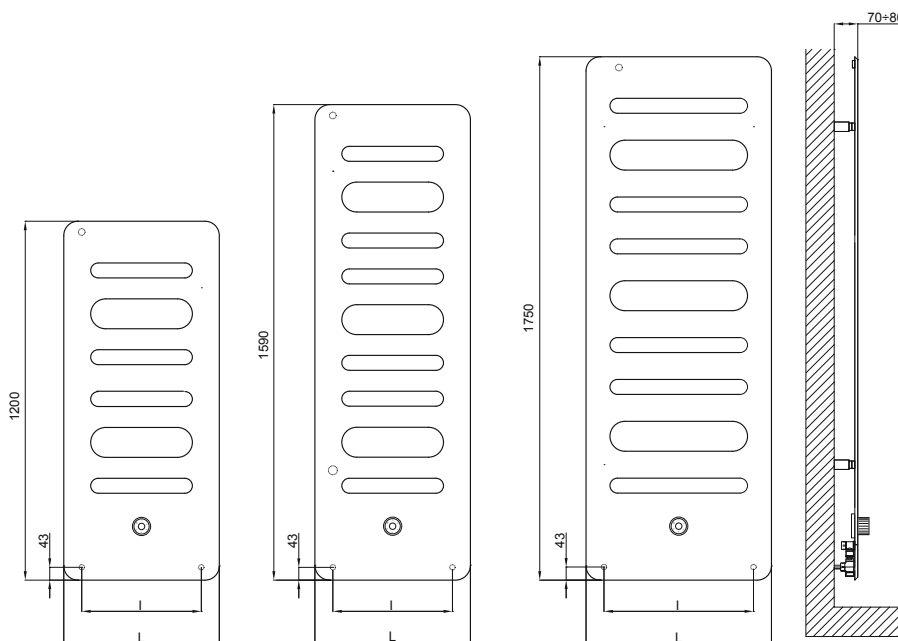
P. max: 5 bar	Available for central heating systems
T. max: 95° C	Connections: n° 2 x 1/2" gas - n° 1 x 1/2" gas for Airvent



EXTRASLIM®



Version with Pipe Centres 50



GIULY®

Price includes thermostatic valves in accordance with EN215:2007.

Code Nr.	Height	Width	Price	Pipe Centres	Dry Weight	Water Content	Thermal output Δt = 50°C		75/65/20°C (Δt=50°C)	
	[mm]	L [mm]	€	l [mm]	[Kg]	[lt]	Watts	Kcal/h	* Thermal output φ in Watts and Δt in °C	
3540806100204	1200	520	938,00	400 ÷ 450	16	1,5	523	450	φ= 3,7750* Δt ^{1,2610}	
3540806100205	1590	520	1.145,00	400 ÷ 450	20	1,9	718	617	φ= 5,3740* Δt ^{1,2510}	
3540806100207	1750	620	1.390,00	500 ÷ 550	26	2,5	903	776	φ= 5,9270* Δt ^{1,2850}	

Code Nr. and prices are referred to colour WHITE R01 - RAL 9010 version. For coloured version see page 174.

* For output at different Δt than 50°C, see page 162.

GIULY® PIPE CENTRES 50 MM

Price includes thermostatic valves in accordance with EN215:2007.

Code Nr.	Height	Width	Price	Pipe Centres	Dry Weight	Water Content	Thermal output Δt = 50°C		75/65/20°C (Δt=50°C)	
	[mm]	L [mm]	€	l [mm]	[Kg]	[lt]	Watts	Kcal/h	* Thermal output φ in Watts and Δt in °C	
3540806100201	1200	520	938,00	50	16	1,5	523	450	φ= 3,7750* Δt ^{1,2610}	
3540806100202	1590	520	1.145,00	50	20	1,9	718	617	φ= 5,3740* Δt ^{1,2510}	
3540806100203	1750	620	1.390,00	50	26	2,5	903	776	φ= 5,9270* Δt ^{1,2850}	

Code Nr. and prices are referred to colour WHITE R01 - RAL 9010 version. For coloured version see page 174.

* For output at different Δt than 50°C, see page 162.



BADGE® BADGE® CONTROL BADGE® LED CONTROL

Design: Simone Micheli

Badge® offers design radiators' new concept, thanks to its original shape.

Three models which meet radiator's functional needs and for this reason they represent a revolution thanks to their design and the employment of a particular innovative technology features that have permitted to attain the prestigious Design Plus ISH 2007 and Comfort & Design 2008 Award.

Badge® is available in three different dimensions: two verticals and one horizontal.

Material:

- Single heating element in painted carbon steel thickness 7 mm.

Fixing kit:

- Brackets
- Airvent
- Hexagonal tool
- Plugs and screws for mounting
- User notice
- Fixing template scheme (only available for Badge 1212x512)

Valve kit included:

- BADGE®**
- Valves
 - Fittings for copper pipe (ø 10/12/14/15/16)
 - Fittings for multilayer pipe (ø 14/16)
- BADGE® CONTROL**
- Valves with thermostatic head
 - Fittings for copper pipe (ø 10/12/14/15/16)

- Fittings for multilayer pipe (ø 14/16)

Packaging:

The radiator is protected by a recyclable film in polyethylene and with a box in recyclable carton. User notice included. Badge® LED is protected by a wooden crate.

Painting process:

Painted with ecological epoxy powders 90 gloss brightness. (Certificate DIN 55900-1, -2)

Colours:

Radiator and accessories: standard white colour RAL9010. For other colours price has to be increased by 30%. See page 174.

Accessories and spare parts:

See page 157.

P. max: 5 bar	Available for central heating systems
T. max: 95° C	Connections: n° 2 x 1/2" gas - n° 1 x 1/2" gas for Airvent



DESIGN PLUS

NOMINÉ
PRIX DU DESIGN IDÉO BAIN

COMFORT & DESIGN
AWARD

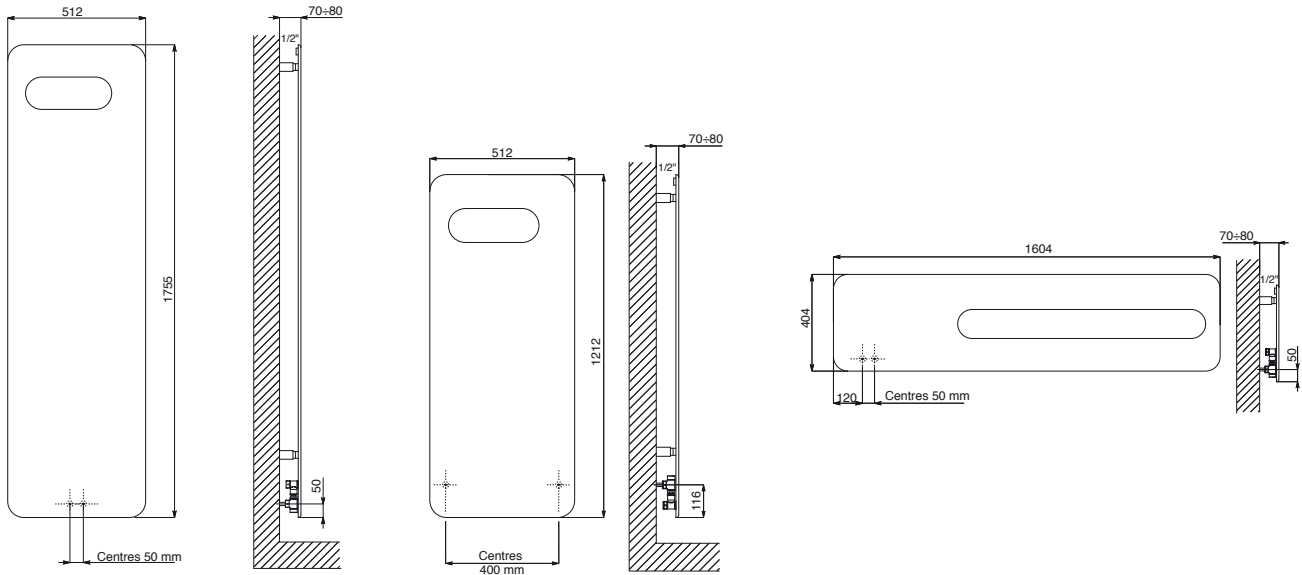
ŁAZIENKA
AWARD



Straight hanger - POLISHED STAINLESS STEEL

Available only on BADGE® H. 1755 x L.512 mm





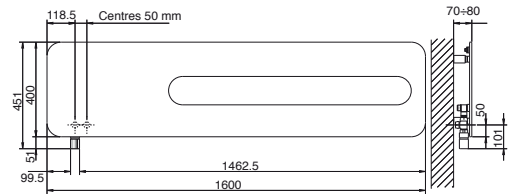
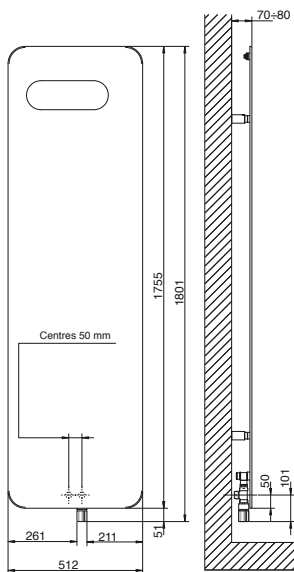
BADGE®

Price includes valves.

Code Nr.	Height	Width	Price	Pipe Centres	Dry Weight	Water Content	Thermal output $\Delta t = 50^\circ\text{C}$		75/65/20°C ($\Delta t=50^\circ\text{C}$)
	[mm]	L [mm]		€			l [mm]	[Kg]	[lt]
3540806100030	1755	512	973,00	50	28,5	1,2	795	684	$\phi = 8,0204 * \Delta t^{1,1749}$
3540806100025	1212	512	810,00	400	20	0,8	567	488	$\phi = 4,4381 * \Delta t^{1,2398}$
3540806100021	404	1604	835,00	50	19	1,1	572	492	$\phi = 4,7926 * \Delta t^{1,2224}$

Code Nr. and prices are referred to colour WHITE R01 - RAL 9010 version. For coloured version see page 174.

* For output at different Δt than 50°C , see page 162.



Badge® LED Control



Badge® Control has valves with thermostatic head

BADGE® CONTROL

Price includes thermostatic valves in accordance with EN215:2007.

Code Nr.	Height	Width	Price	Pipe Centres	Dry Weight	Water Content	Thermal output $\Delta t = 50^\circ\text{C}$		75/65/20°C ($\Delta t=50^\circ\text{C}$)
	[mm]	L [mm]		€			l [mm]	[Kg]	[lt]
3540806100050	1755	512	1.044,00	50	28,5	1,2	795	684	$\phi = 8,0204 * \Delta t^{1,1749}$
3540806100041	404	1604	901,00	50	19	1,1	572	492	$\phi = 4,7926 * \Delta t^{1,2224}$

Code Nr. and prices are referred to colour WHITE R01 - RAL 9010 version. For coloured version see page 174.

* For output at different Δt than 50°C , see page 162.

BADGE® LED CONTROL

Price includes thermostatic valves in accordance with EN215:2007.

Code Nr.	Height	Width	Price	Colore LED	Pipe Centres	Dry Weight	Water Content	Thermal output $\Delta t = 50^\circ\text{C}$		75/65/20°C ($\Delta t=50^\circ\text{C}$)
	[mm]	L [mm]			€			l [mm]	[Kg]	[lt]
3540806100150	1755	512	2.314,00	WHITE	50	28,5	1,2	795	684	$\phi = 8,0204 * \Delta t^{1,1749}$
3540806100151	1755	512		BLUE	50	28,5	1,2	795	684	$\phi = 8,0204 * \Delta t^{1,1749}$
3540806100152	1755	512		GREEN	50	28,5	1,2	795	684	$\phi = 8,0204 * \Delta t^{1,1749}$

Code Nr. and prices are referred to colour WHITE R01 - RAL 9010 version. For coloured version see page 174.

* For output at different Δt than 50°C , see page 162.



BADGE[®] ELECTRIC

Design: Simone Micheli

Minimal design and technology meet in the new Badge[®] Electric.

Available with radiofrequency thermostat, this new model allows to set the weekly program and the ignition of the radiator and the ambient temperature you want.

Material:

- Single heating element in painted carbon steel thickness 7 mm.

Fixing kit:

- Brackets
- Hexagonal tool
- Plugs and screws for mounting suitable for use on compact or hollow brick walls
- User notice

Packaging:

The radiator is protected by a recyclable film in polyethylene and with a box in recyclable carton. User notice included.

Painting process:

Painted with ecological epoxy powders 90 gloss brightness. (Certificate DIN 55900-1,-2)

Colours:

Radiator and accessories: standard white colour RAL9010. For other colours price has to be increased by 30%. See page 174.

Accessories and spare parts:

See page 157.

Electrical resistors: CLASS 2	Minimum class protection: IP 44	Wire Width: 1200 mm
Electrical only • With thermostatic regulation with radiofrequency transmitter		



DESIGN PLUS

NOMINÉ
PRIX DU DESIGN IDÉO BAIN

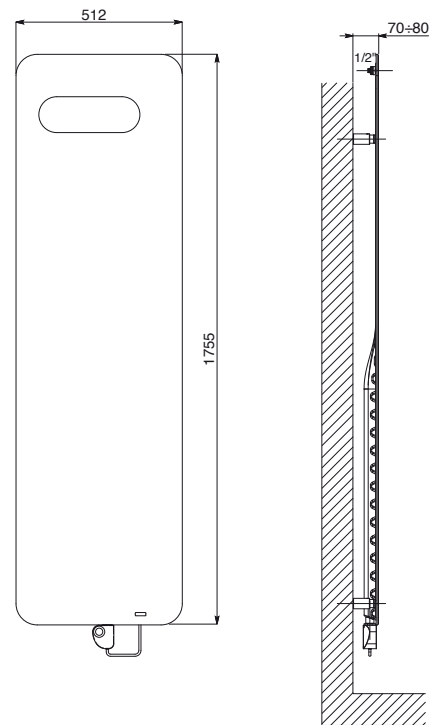
COMFORT & DESIGN
AWARD

ŁAZIENKA
AWARD



Straight hanger - POLISHED STAINLESS STEEL

See accessories Page157.



BADGE[®] ELECTRIC

Code Nr.	Height [mm]	Width L [mm]	Price €	Thermal output Watts
KIT - TIMER THERMOSTAT WITH RADIOFREQUENCY TRANSMITTER, SHUKO PLUG, V 230				
3582806100001	1755	512	1.141,00	750

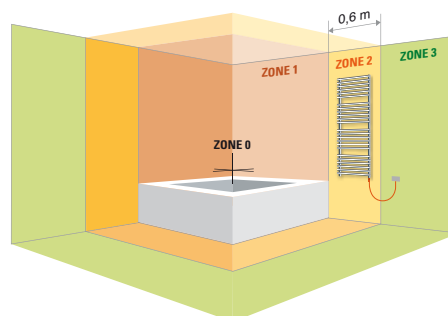
Code Nr. and prices are referred to colour WHITE R01 - RAL 9010 version. For coloured version see page 174.

ACCESSORIES INCLUDED



ELECTRONIC THERMOSTAT REMOTE CONTROLLER WITH RADIO TRANSMISSION

- Daily and weekly programming with 2 levels of temperature
- "Day & Night" temperature setting
- Wall fixing brackets included
- Anti-freeze function



HOW TO PLACE ELECTRIC RADIATORS

Cordivari electric radiators are equipped with a class 1 electrical resistor and a minimum class protection of IP 44 so that they can be placed in hazard zone 2 on condition that the power cable is protected through a different switch with I_{dn} ≤ 30 mA.

It is compulsory to place power outlet and differential switch in the zone 3.



HAND®

Hand® is a radiator characterized by a fresh design with an original composition of heating elements. Hidden valves and supports exalt the innovative shape of Hand®: a tribute to human creativity, full of symbols and visions.

Material:

- Single heating element in painted carbon steel thickness 7 mm.

Fixing kit:

- Brackets
- Airvent
- Hexagonal tool
- Plugs and screws for mounting suitable for use on compact or hollow brick walls
- User notice
- Fixing template scheme

Valve kit included:

- Thermostatic valves
- Fittings for copper pipe (ø 10/12/14/15/16)
- Fittings for multilayer pipe (ø 14/16)

Packaging:

The radiator is protected by a recyclable film in polyethylene and with a box in recyclable carton. User notice included.

Painting process:

Painted with ecological epoxy powders 90 gloss brightness. (Certificate DIN 55900-1,-2)

Colours:

Radiator and accessories: standard white colour RAL9010. For other colours price has to be increased by 30%. See page 174.

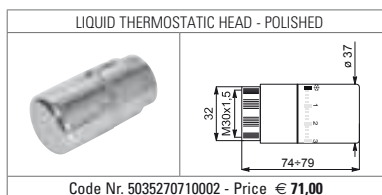
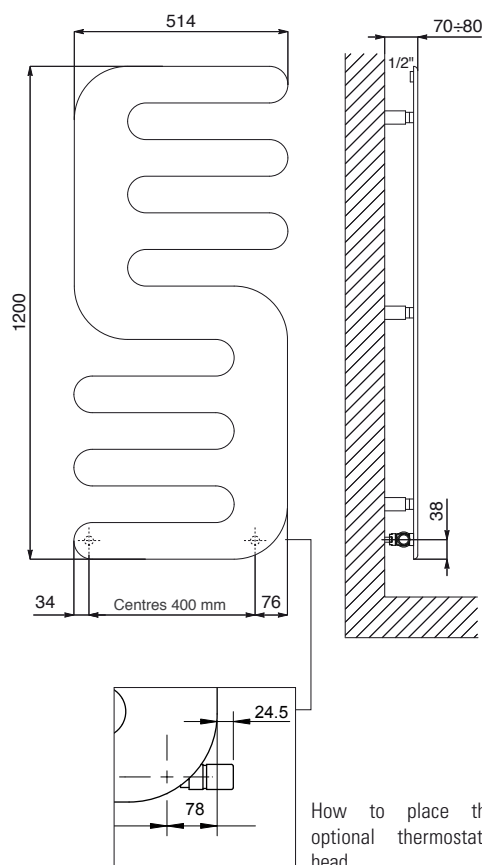
Accessories and spare parts:

See page 157.

P. max: 5 bar	Available for central heating systems
T. max: 95° C	Connections: 2 x 1/2" gas - n° 1 x 1/2" gas for Airvent



EXTRASLIM®



HAND®

Price includes valves.

Code Nr.	Height	Width	Price	Pipe Centres	Dry Weight	Water Content	Thermal output $\Delta t = 50^\circ C$		75/65/20°C ($\Delta t=50^\circ C$)	
	[mm]	L [mm]	€	l [mm]	[Kg]	[lt]	Watts	Kcal/h	* Thermal output ϕ in Watts and Δt in °C	
3540806100011	1200	514	752,00	400	15,5	1,3	500	430	$\phi = 3,7982 * \Delta t^{1,2475}$	

Code Nr. and prices are referred to colour WHITE R01 - RAL 9010 version. For coloured version see page 174.

* For output at different Δt than $50^\circ C$, see page 162.



MOVIE®

Design: Mariano Moroni

The innovative Extraslim® radiator, draws inspiration from cinema as origin of visual communication. It consists of painted carbon steel plate and get over radiators' traditional image to become a friendly object and a symbol of human life.

Material:

- Single heating element in painted carbon steel thickness 7 mm.

Fixing kit:

- Brackets
- Airvent
- Hexagonal tool
- Plugs and screws for mounting suitable for use on compact or hollow brick walls
- User notice
- Fixing template scheme

Valve kit included:

- Thermostatic valves
- Fittings for copper pipe (ø 10/12/14/15/16)
- Fittings for multilayer pipe (ø 14/16)

Packaging:

The radiator is protected by a recyclable film in polyethylene and with a box in recyclable carton. User notice included.

Painting process:

Painted with ecological epoxy powders 90 gloss brightness. (Certificate DIN 55900-1,-2)

Colours:

Radiator and accessories: standard white colour RAL9010. For other colours price has to be increased by 30%. See page 174.

Accessories and spare parts:

See page 157.

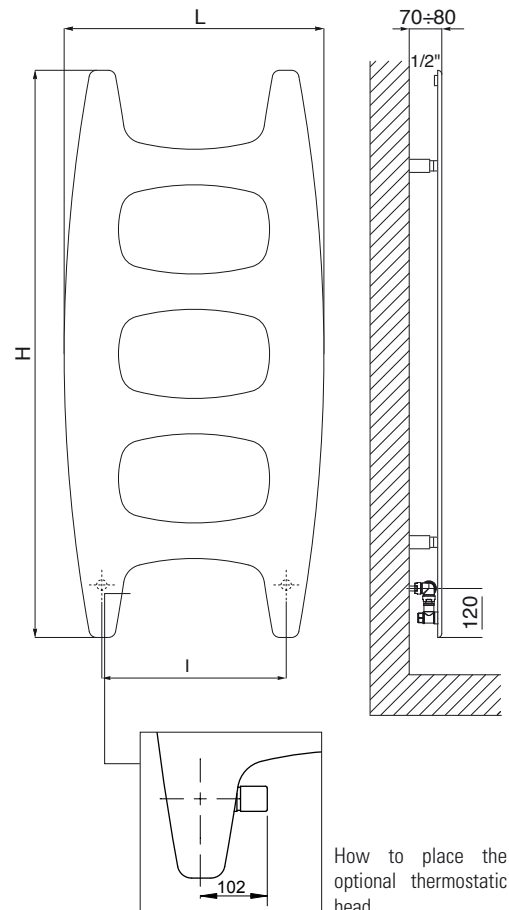
P. max: 5 bar	Available for central heating systems
T. max: 95° C	Connections: n° 2 x 1/2" gas - n° 2 x 1/2" gas for Airvent



NOMINÉ
COMFORT & DESIGN

LIQUID THERMOSTATIC HEAD - POLISHED

Code Nr. 5035270710002 - Price € 71,00



How to place the optional thermostatic head.

MOVIE®

Price includes valves.

Code Nr.	Height	Width	Price	Pipe Centres	Dry Weight	Water Content	Thermal output t = 50°C		75/65/20°C (t=50°C)
	H [mm]	L [mm]		l [mm]			[Kg]	[lt]	Watts
3540806100002	1130	510	777,00	360 ÷ 400	15	1,1	385	331	φ = 3,5823 * Δt ^{1,1958}
3540806100001	1392	642	878,00	450	18	1,3	559	482	φ = 4,7242 * Δt ^{1,2202}

Code Nr. and prices are referred to colour WHITE R01 - RAL 9010 version. For coloured version see page 174.

* For output at different Δt than 50°C, see page 162.



JUNGLE®

Design: Mariano Moroni

A sign, a unique, basic, primitive, intense meaning symbol in the original "message design", that gives immediate emotional feelings to the user, to enrich his visual culture and to identify his daily living.
Foldaway valves and connections make cleaning easier.

Material:
• Single heating element in painted carbon steel thickness 7 mm.

Fixing kit:
• Brackets
• Airvent
• Hexagonal tool
• Plugs and screws for mounting
• User notice

JUNGLE®
• Valves
• Fittings for copper pipe (ø 10/12/14/15/16)
• Fittings for multilayer pipe (ø 14/16)
JUNGLE® CONTROL
• Valves with thermostatic head
• Fittings for copper pipe (ø 10/12/14/15/16)

• Fittings for multilayer pipe (ø 14/16)

Packaging:
The radiator is protected by a recyclable film in polyethylene and with a box in recyclable carton. User notice included.

Painting process:
Painted with ecological epoxy powders 90 gloss brightness. (Certificate DIN 55900-1,-2)

Colours:
Radiator and accessories: standard white colour RAL9010. For other colours price has to be increased by 30%. See page 174.

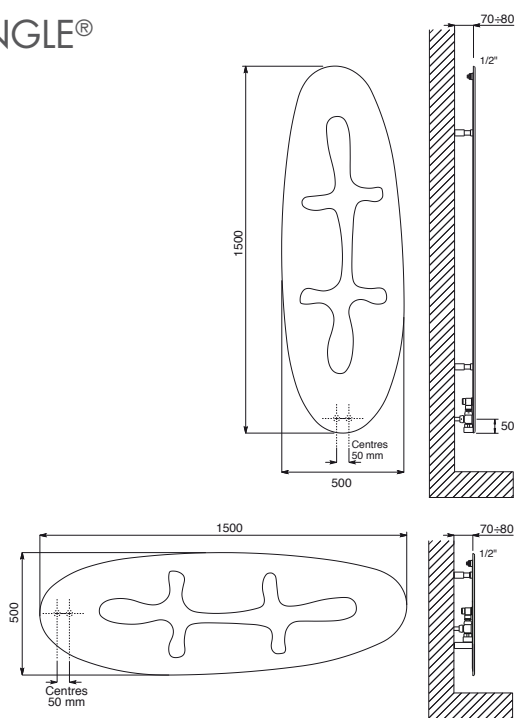
Accessories and spare parts:
See page 157.

P. max: 5 bar	Available for central heating systems
T. max: 95° C	Connections: n° 2 x 1/2" gas - n° 1 x 1/2" gas for Airvent

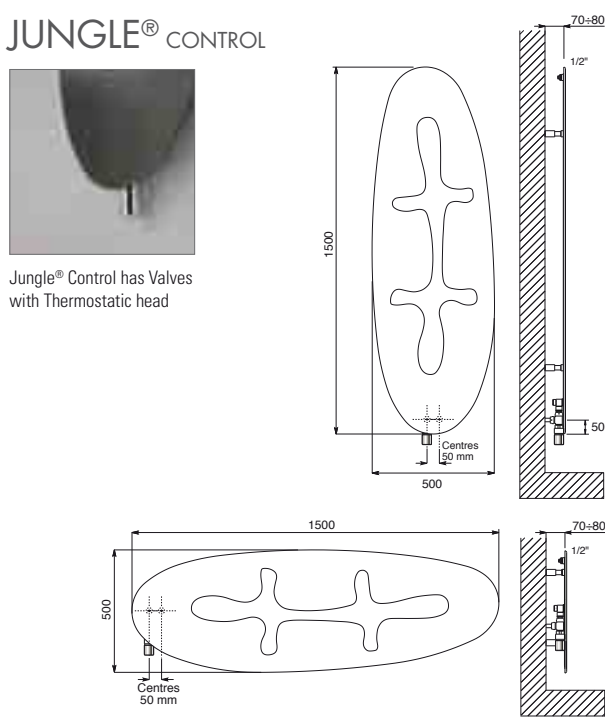


EXTRASLIM®

JUNGLE®



JUNGLE® CONTROL



Jungle® Control has Valves with Thermostatic head

JUNGLE®

Price includes valves.

Code Nr.	Height	Width	Price	Pipe Centres	Dry Weight	Water Content	Thermal output Δt = 50°C		75/65/20°C (Δt=50°C)
	[mm]	L [mm]	€	l [mm]	[Kg]	[lt]	Watts	Kcal/h	* Thermal output φ in Watts and Δt in °C
3540806100060	1500	500	921,00	50	19	1	557	479	φ = 4,4341 * Δt ^{1,2355}
3540806100065	500	1500	921,00	50	19	1	573	493	φ = 5,2249 * Δt ^{1,2005}

Code Nr. and prices are referred to colour WHITE R01 - RAL 9010 version. For coloured version see page 174.

* For output at different Δt than 50°C, see page 162.

JUNGLE® CONTROL

Prices include valve kit and thermostatic head, in accordance with EN215:2007.

Code Nr.	Height	Width	Price	Pipe Centres	Dry Weight	Water Content	Thermal output Δt = 50°C		75/65/20°C (Δt=50°C)
	[mm]	L [mm]	€	l [mm]	[Kg]	[lt]	Watts	Kcal/h	* Thermal output φ in Watts and Δt in °C
3540806100070	1500	500	1.013,00	50	19	1	557	479	φ = 4,4341 * Δt ^{1,2355}
3540806100075	500	1500	1.013,00	50	19	1	573	493	φ = 5,2249 * Δt ^{1,2005}

Code Nr. and prices are referred to colour WHITE R01 - RAL 9010 version. For coloured version see page 174.

* For output at different Δt than 50°C, see page 162.



FRAME FRAME PLUS

The accurate manufacturing and impeccable finishes enhance the elegance and harmony of the new Frame colours.
The colour palette is made with ecological epoxy-polyester powders with 90 gloss brightness.
The entire range is accessorized with handy and essential satin stainless steel towel racks.

- Material:**
- Horizontal collectors in painted carbon steel with \varnothing of 30 mm
 - Vertical heating elements in painted carbon steel 50x10 mm
 - Heating plate in painted carbon steel

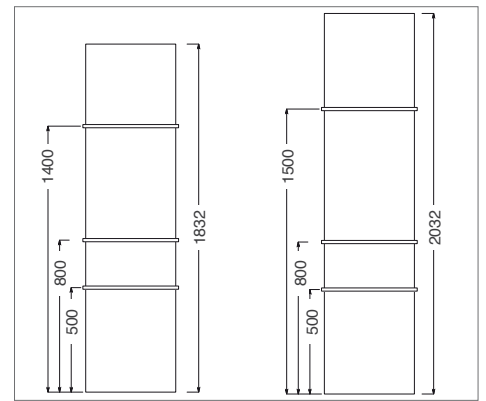
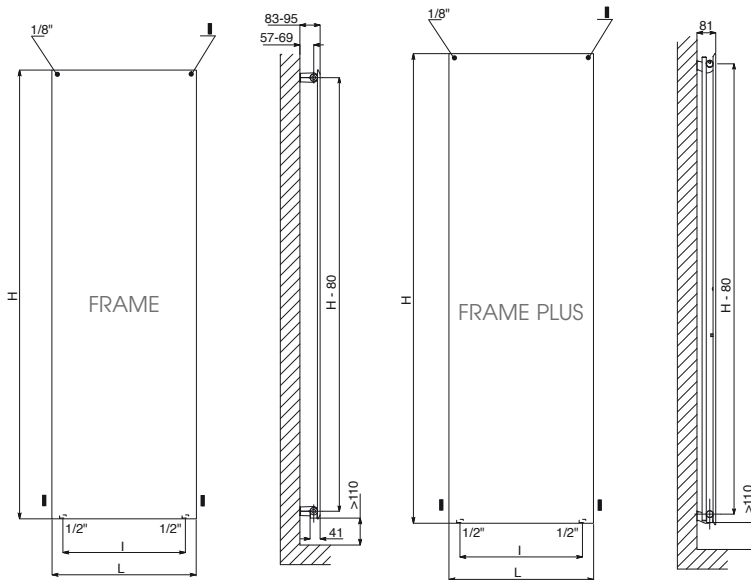
- Fixing kit:**
- Brackets
 - Airvent
 - Hexagonal tool
 - Plugs and screws for mounting suitable for use on compact or hollow brick walls
 - User notice

Packaging:
The radiator is protected by a recyclable film in polyethylene and with a box in recyclable carton. User notice included.

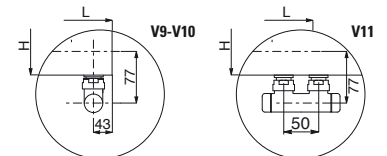
Painting process:
Painted with ecological epoxy powders 90 gloss brightness. (Certificate DIN 55900-1,-2)

Accessories and spare parts:
See page 157.

P. max: 5 bar	Available for central heating systems
T. max: 95° C	Connections: n° 2 x 1/2" gas - n° 1 x 1/8" gas for Airvent

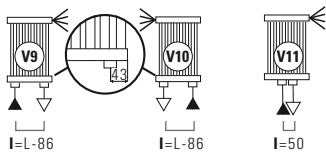


How to place kit 3 straight hangers



Measures for valves type "Elegant" Cordivari

STANDARD CONNECTIONS



Always specify the kind of connection needed when ordering (V9 - V10 - V11).
Bidirectional connection not possible.

LEGEND	
	In
	Airvent
	Out
	H Height
	Connection Width=20 - Height=15
	Blind Plug
	Pipe Centres L Width

ACCESSORIES

	STRAIGHT HANGER SATIN STAINLESS STEEL (L= 516 mm) Price € 172,00 Code Nr. 5991990010208
	(L= 628 mm) Price € 182,00 Code Nr. 5991990010209

	KIT 3 STRAIGHT HANGERS SATIN STAINLESS STEEL (L= 516 mm) Price € 431,00 Code Nr. 5991990310241
	(L= 628 mm) Price € 452,00 Code Nr. 5991990310242

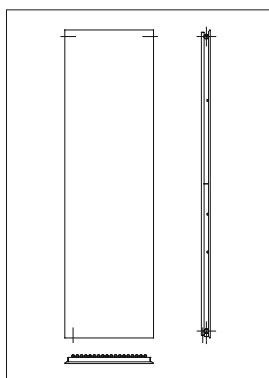


FRAME VERTICAL

Height H [mm]	Width L [mm]	FINISHING	Price	Pipe Centres (V9 - V10)	Dry Weight	Water Content	Thermal output $\Delta t = 50^{\circ}\text{C}$		75/65/20°C ($\Delta t=50^{\circ}\text{C}$)
			€	l [mm]	[Kg]	[lt]	Watts	Kcal/h	* Thermal output ϕ in Watts and Δt in °C
1832	474	RAL 9010	738,00	388	25,1	5,6	889	765	$\phi = 5,8549 * \Delta t^{1,2840}$
	586	RAL 9010	809,00	500	31,3	7,0	1112	956	$\phi = 7,3187 * \Delta t^{1,2840}$
2032	474	RAL 9010	824,00	388	27,3	5,8	988	850	$\phi = 6,5055 * \Delta t^{1,2840}$
	586	RAL 9010	893,00	500	34,1	7,2	1235	1062	$\phi = 8,1319 * \Delta t^{1,2840}$

Prices are referred to colour WHITE R01 - RAL 9010 version. For coloured version see page 174.

* For output at different Δt than 50°C , see page 162.



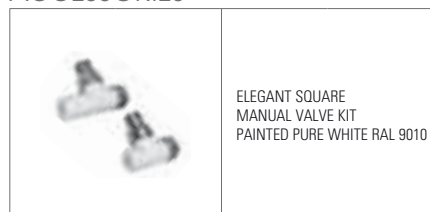
FRAME PLUS VERTICAL

Height H [mm]	Width L [mm]	FINISHING	Price	Pipe Centres (V9 - V10)	Dry Weight	Water Content	Thermal output $\Delta t = 50^{\circ}\text{C}$		75/65/20°C ($\Delta t=50^{\circ}\text{C}$)
			€	l [mm]	[Kg]	[lt]	Watts	Kcal/h	* Thermal output ϕ in Watts and Δt in °C
1832	474	RAL 9010	953,00	388	35,7	11,2	1320	1135	$\phi = 9,6792 * \Delta t^{1,2840}$
	586	RAL 9010	1.058,00	500	45,1	13,7	1650	1419	$\phi = 12,0990 * \Delta t^{1,2840}$
2032	474	RAL 9010	1.045,00	388	39,5	12,3	1440	1328	$\phi = 10,4294 * \Delta t^{1,2840}$
	586	RAL 9010	1.167,00	500	49,9	15,0	1800	1548	$\phi = 13,0368 * \Delta t^{1,2840}$

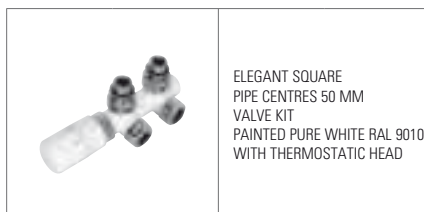
Prices are referred to colour WHITE R01 - RAL 9010 version. For coloured version see page 174.

* For output at different Δt than 50°C , see page 162.

ACCESSORIES



C	Code Nr.	M	Code Nr.
Ø 10/12/14/15/16	5991990311006	Ø 14/16/18	5991990311005
Price € 104,00		Price € 106,00	
C = Copper connection • M = Multilayer connection			



C	Code Nr.	M	Code Nr.
Ø 10/12/14/15/16	5991990311070	Ø 14/16/18	5991990311069
Price € 181,00		Price € 183,00	
C = Copper connection • M = Multilayer connection			



C	Code Nr.	M	Code Nr.
Ø 10/12/14/15/16	5991990311076	Ø 14/16/18	5991990311074
Price € 184,00		Price € 180,00	
C = Copper connection • M = Multilayer connection			

Code Nr. and prices are referred to colour WHITE R01 - RAL 9010 version.

Accessories and spare parts - see page 157.



GROOVE®

PATENTED

Design: Mariano Moroni

Purity and simplicity of the lines are at the base of this project which sees the use of simple minimum vertical elements composed in a sort of parallelism that can become infinite. The result is a perfect geometry of the radiator, almost a rejection of unnecessary and exasperated modernity.

Material:

- Aluminium heating elements 100x20 mm.

Fixing kit:

- Brackets
- Airvent
- Hexagonal tool
- Plugs and screws for mounting suitable for use on compact or hollow brick walls
- User notice

Packaging:

The radiator is protected by a recyclable film in polyethylene

and with a box in recyclable carton. User notice included.

Painting process:

Painted with ecological epoxy powders 90 gloss brightness. (Certificate DIN 55900-1,-2)

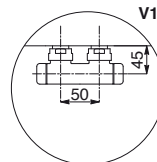
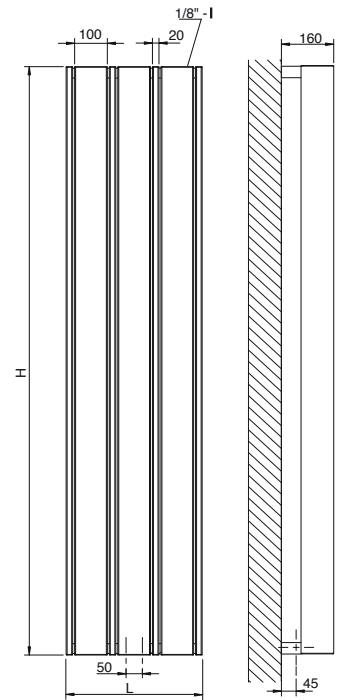
Colours:

Radiator and accessories: standard white colour RAL9010. For other colours price has to be increased by 30%. See page 174.

P. max: 6 bar	Available for central heating systems
T. max: 95° C	Connections: n° 2 x 1/2" gas - n° 1 x 1/2" gas for Airvent



LEGEND	
▶ In	◀ Airvent
◁ Out	H Height
□ Connection	Width=20 - Height=15
▬ Blind Plug	
Pipe Centres	L Width



ACCESSORIES



ELEGANT SQUARE
PIPE CENTRES 50 MM
VALVE KIT
PAINTED PURE WHITE RAL 9010
WITH THERMOSTATIC HEAD

C	Code Nr.	M	Code Nr.
Ø 10/12/14/15/16	5991990311070	Ø 14/16/18	5991990311069
Price € 181,00		Price € 183,00	
C = Copper connection • M = Multilayer connection			

Code Nr. and prices are referred to colour WHITE R01 - RAL 9010 version.

STANDARD CONNECTIONS



Bidirectional connection not possible.

GROOVE®

Height [mm]	Width L [mm]	ELEMENTS	Price	Pipe Centres	Dry Weight	Water Content	Thermal output Δt = 50°C		75/65/20°C (Δt=50°C)
			€	l [mm]	[Kg]	[lt]	Watts	Kcal/h	* Thermal output φ in Watts and Δt in °C
1800	284	5	672,00	50	17,3	1,8	939	807	Φ= 11,7467 * Δt ^{1,1199}
	416	7	891,00	50	24,3	2,5	1315	1130	Φ= 16,4453 * Δt ^{1,1199}
2000	284	5	693,00	50	19,2	1,9	1043	897	Φ= 12,4822 * Δt ^{1,1313}
	416	7	923,00	50	26,9	2,7	1460	1256	Φ= 17,4751 * Δt ^{1,1313}

Prices are referred to colour WHITE R01 - RAL 9010 version. For coloured version see page 174.

* For output at different Δt than 50°C, see page 162.



ROADS®

PATENTED

Design: Mariano Moroni

Roads® feels the minimalism as artistic tendency which has deeply influenced the contemporary design. It is the search for essentiality in a complicated world, with a simple and pure formal language which communicates aesthetic values shared by everyone. Roads® combines high thermal output to aesthetic values, the heating elements, placed in sequence, like parallel streets, make Roads® a spatial composition which goes beyond the urban closure of design in favour of open spaces.

Material:
 • Aluminium heating elements 100x20 mm.

Fixing kit:
 • Brackets
 • Airvent
 • Hexagonal tool
 • Plugs and screws for mounting suitable for use on compact or hollow brick walls
 • User notice

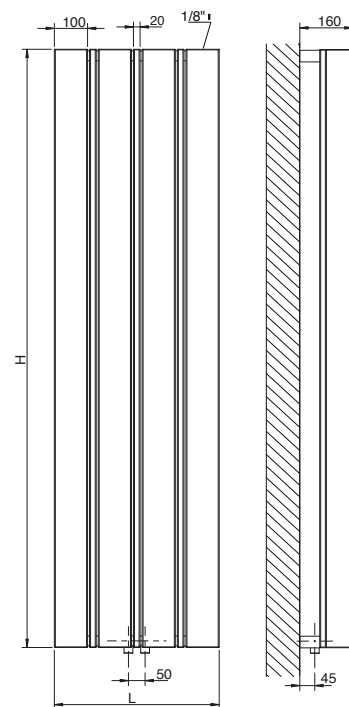
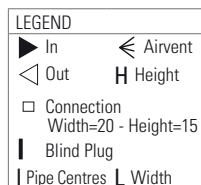
Packaging:
 The radiator is protected by a recyclable film in polyethylene

and with a box in recyclable carton. User notice included.

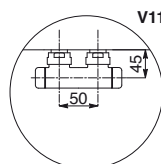
Painting process:
 Painted with ecological epoxy powders 90 gloss brightness. (Certificate DIN 55900-1,-2)

Colours:
 Radiator and accessories: standard white colour RAL9010. For other colours price has to be increased by 30%. See page 174.

P. max: 6 bar	Available for central heating systems
T. max: 95° C	Connections: n° 2 x 1/2" gas - 1 x 1/2" gas for Airvent



STANDARD CONNECTIONS



Bidirectional connection not possible.

ACCESSORIES



ELEGANT SQUARE
 PIPE CENTRES 50 MM
 VALVE KIT
 PAINTED PURE WHITE RAL 9010
 WITH THERMOSTATIC HEAD

C	Code Nr.	M	Code Nr.
Ø 10/12/14/15/16	5991990311070	Ø 14/16/18	5991990311069
Price € 181,00		Price € 183,00	
C = Copper connection • M = Multilayer connection			

Code Nr. and prices are referred to colour WHITE R01 - RAL 9010 version.

ROADS®

Height [mm]	Width L [mm]	ELEMENTS	Price	Pipe Centres	Dry Weight	Water Content	Thermal output Δt = 50°C		75/65/20°C (Δt=50°C) * Thermal output φ in Watts and Δt in °C
			€	l [mm]	[Kg]	[lt]	Watts	Kcal/h	
1800	364	5	668,00	50	17,5	1,8	939	807	Φ= 11,7467 * Δt ^{1,1199}
	496	7	887,00	50	24,4	2,5	1315	1130	Φ= 16,4453 * Δt ^{1,1199}
2000	364	5	686,00	50	19,3	2,0	1043	897	Φ= 12,4822 * Δt ^{1,1313}
	496	7	918,00	50	27,0	2,8	1460	1256	Φ= 17,4751 * Δt ^{1,1313}

Prices are referred to colour WHITE R01 - RAL 9010 version. For coloured version see page 174.

* For output at different Δt than 50°C, see page 162.

NEO DESIGN



ROADS® STF

Cordivari Design presents the new radiator Roads® STF within the NeoDesign series. The extension of shapes is conceived so to characterize all environments with the utmost versatility and cleanest design. Research of innovative materials has led to its aluminum profiles and elegant finishes offering a new way of decorating through heat. Roads® STF is a traditional radiator especially designed to offer a product of moderate height and horizontal development.

Material:

- Aluminium heating elements 100x30 mm.

Fixing kit:

- Brackets
- Airvent
- Hexagonal tool
- Plugs and screws for mounting suitable for use on compact or hollow brick walls
- User notice

Packaging:

The radiator is protected by a recyclable film in polyethylene

and with a box in recyclable carton. User notice included.

Painting process:

Painted with ecological epoxy powders 90 gloss brightness. (Certificate DIN 55900-1,-2)

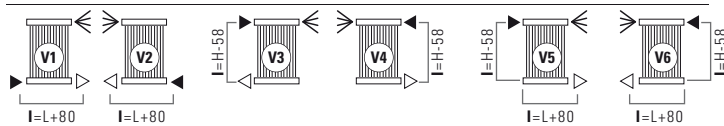
Colours:

Radiator and accessories: standard white colour RAL9010. For other colours price has to be increased by 30%. See page 174.

P. max: 6 bar	Available for central heating systems
T. max: 95° C	Connections: n° 2 x 1/2" gas - 1 x 1/2" gas for Airvent

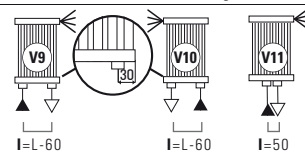


STANDARD CONNECTIONS

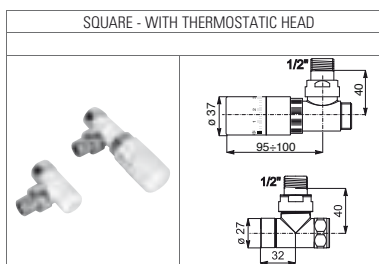


Always specify the kind of connection needed when ordering. Bidirectional connection not possible.

SPECIAL CONNECTIONS (Surcharge € 50,00)



ACCESSORIES



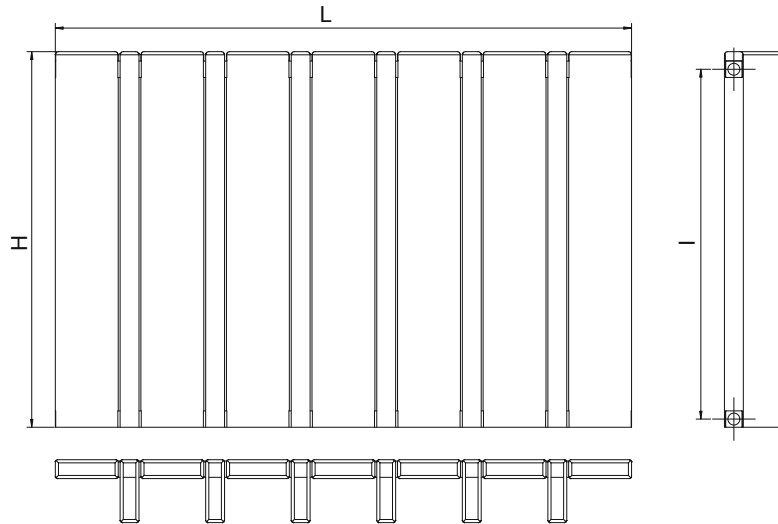
R	Code Nr.	M	Code Nr.
Ø 10/12/14/15/16	5991990311066	Ø 14/16/18	5991990311065
Price € 169,00		Price € 171,00	
C = Copper connection • M = Multilayer connection			

Code Nr. and prices are referred to colour WHITE R01 - RAL 9010 version.

Accessories and spare parts - see page 157.



MATCHING PROFILE COVER.



PROFILE COVER IN CHROME FINISHING.

ROADS® STF

Height	Width	ELEMENTS	Price for coloured profile-cover	Surcharge for chrome finished profile-cover	Pipe Centres	Dry Weight	Water Content	Thermal output a $\Delta t = 50^{\circ}\text{C}$		75/65/20°C ($\Delta t=50^{\circ}\text{C}$)
[mm]	L [mm]		€		l [mm]	[Kg]	[lt]	Watts	Kcal/h	* Thermal output ϕ in Watts and Δt in °C
540	372	5	535,00	15,00	500	4,2	0,7	328	282	$\Phi = 3,0494 * \Delta t$ ^{1,1956}
	508	7	602,00	21,00		5,9	1,0	459	394	$\Phi = 4,2691 * \Delta t$ ^{1,1956}
	644	9	665,00	27,00		7,6	1,2	590	507	$\Phi = 5,4888 * \Delta t$ ^{1,1956}
	780	11	727,00	33,00		9,2	1,5	721	620	$\Phi = 6,7086 * \Delta t$ ^{1,1956}
	916	13	797,00	39,00		10,9	1,8	852	732	$\Phi = 7,9283 * \Delta t$ ^{1,1956}
	1052	15	829,00	45,00		12,6	2,0	983	845	$\Phi = 9,1481 * \Delta t$ ^{1,1956}
	1188	17	925,00	51,00		14,3	2,3	1114	957	$\Phi = 10,3678 * \Delta t$ ^{1,1956}
	1324	19	989,00	57,00		15,9	2,6	1245	1070	$\Phi = 11,5875 * \Delta t$ ^{1,1956}
	1460	21	1.023,00	63,00		17,6	2,8	1376	1183	$\Phi = 12,8073 * \Delta t$ ^{1,1956}
640	372	5	551,00	15,00	600	4,9	0,8	386	331	$\Phi = 3,8901 * \Delta t$ ^{1,1748}
	508	7	620,00	21,00		6,8	1,1	540	464	$\Phi = 5,4461 * \Delta t$ ^{1,1748}
	644	9	685,00	27,00		8,7	1,4	694	597	$\Phi = 7,0021 * \Delta t$ ^{1,1748}
	780	11	749,00	33,00		10,7	1,7	848	729	$\Phi = 8,5581 * \Delta t$ ^{1,1748}
	916	13	821,00	39,00		12,6	2,0	1002	862	$\Phi = 10,1141 * \Delta t$ ^{1,1748}
	1052	15	854,00	45,00		14,5	2,3	1157	994	$\Phi = 11,6702 * \Delta t$ ^{1,1748}
	1188	17	953,00	51,00		16,4	2,6	1311	1127	$\Phi = 13,2262 * \Delta t$ ^{1,1748}
	1324	19	1.019,00	57,00		18,4	2,9	1465	1260	$\Phi = 14,7822 * \Delta t$ ^{1,1748}
	1460	21	1.054,00	63,00		20,3	3,2	1619	1392	$\Phi = 16,3382 * \Delta t$ ^{1,1748}
740	372	5	582,00	15,00	700	5,5	0,9	443	381	$\Phi = 4,8517 * \Delta t$ ^{1,1539}
	508	7	659,00	21,00		7,7	1,2	620	533	$\Phi = 6,7923 * \Delta t$ ^{1,1539}
	644	9	736,00	27,00		9,9	1,5	797	686	$\Phi = 8,733 * \Delta t$ ^{1,1539}
	780	11	810,00	33,00		12,1	1,9	975	838	$\Phi = 10,6736 * \Delta t$ ^{1,1539}
	916	13	891,00	39,00		14,2	2,2	1152	990	$\Phi = 12,6143 * \Delta t$ ^{1,1539}
	1052	15	939,00	45,00		16,4	2,6	1329	1143	$\Phi = 14,555 * \Delta t$ ^{1,1539}
	1188	17	1.045,00	51,00		18,6	2,9	1506	1295	$\Phi = 16,4956 * \Delta t$ ^{1,1539}
	1324	19	1.120,00	57,00		20,8	3,2	1683	1447	$\Phi = 18,4363 * \Delta t$ ^{1,1539}
	1460	21	1.195,00	63,00		23,0	3,6	1861	1600	$\Phi = 20,3769 * \Delta t$ ^{1,1539}
840	372	5	606,00	15,00	800	6,2	1,0	501	430	$\Phi = 5,9511 * \Delta t$ ^{1,133}
	508	7	686,00	21,00		8,6	1,3	701	602	$\Phi = 8,3315 * \Delta t$ ^{1,133}
	644	9	766,00	27,00		11,0	1,7	901	775	$\Phi = 10,7119 * \Delta t$ ^{1,133}
	780	11	843,00	33,00		13,5	2,1	1101	947	$\Phi = 13,0923 * \Delta t$ ^{1,133}
	916	13	927,00	39,00		15,9	2,4	1301	1119	$\Phi = 15,4727 * \Delta t$ ^{1,133}
	1052	15	977,00	45,00		18,3	2,8	1502	1291	$\Phi = 17,8532 * \Delta t$ ^{1,133}
	1188	17	1.087,00	51,00		20,8	3,2	1702	1463	$\Phi = 20,2336 * \Delta t$ ^{1,133}
	1324	19	1.165,00	57,00		23,2	3,6	1902	1635	$\Phi = 22,614 * \Delta t$ ^{1,133}
	1460	21	1.243,00	63,00		25,6	3,9	2102	1807	$\Phi = 24,9944 * \Delta t$ ^{1,133}

Prices are referred to colour WHITE R01 - RAL 9010 version. For coloured version see page 174.

* For output at different Δt than 50°C , see page 162.



BRIDGE® 1

PATENTED

Design: Mariano Moroni

Bridge® embodies the concept of archaeological industrial production of objects for popular use in a modern key and in a timeless mythmaking context.

It is a versatile radiator that in addition to fulfilling its function of high efficiency heating, becomes a multi-purpose piece of furniture of high quality with handles and shelves made of whitened oak.

The recovery of industrial moulds already in use means economics and energy saving with the consequent inclusion of the Bridge® in the field of sustainable production and eco-design.

Material:

- Tubular elements in painted carbon steel with \varnothing of 25 mm.
- Shelves and hanger in whitened oaks
- Stainless steel rods and clamps

Fixing kit:

- Brackets
- Airvent
- Hexagonal tool
- Plugs and screws for mounting suitable for use on compact or hollow brick walls
- User notice

Packaging:

The radiator is protected by a recyclable film in polyethylene and with a box in recyclable carton. User notice included.

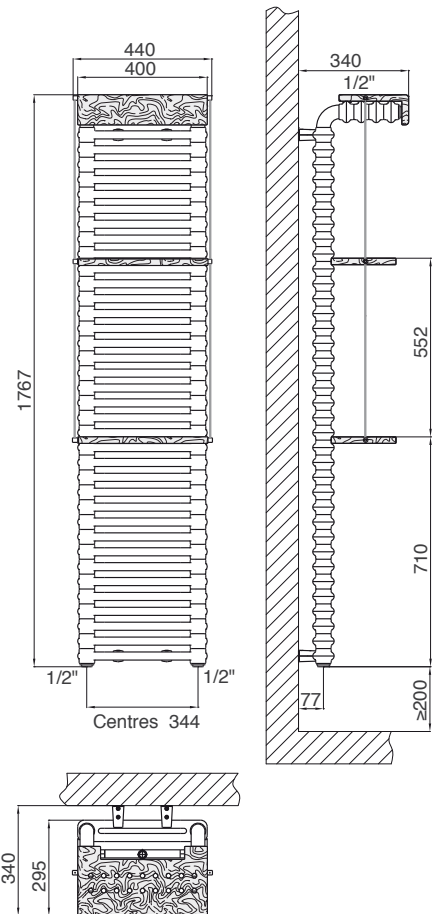
Painting process:

Painted with ecological epoxy powders 90 gloss brightness. (Certificate DIN 55900-1,-2)

Colours:

Radiator and accessories: standard white colour RAL9010. For other colours price has to be increased by 30%. See page 174.

P. max: 8 bar	Available for central heating systems
T. max: 95° C	Connections: n° 2 x 1/2" gas - 1 x 1/2" gas Airvent



BRIDGE® 1

Code Nr.	Model	Height	Width	Price	Pipe Centres	Dry Weight	Water Content	Thermal output $\Delta t = 50^\circ\text{C}$		75/65/20°C ($\Delta t=50^\circ\text{C}$)
		[mm]	L [mm]	€	l [mm]	[Kg]	[lt]	Watts	Kcal/h	* Thermal output ϕ in Watts and Δt in °C
3541836100001	BRIDGE 1	1767	400	1.749,00	344	26,0	18,0	1320	1135	$\phi = 8,1962 * \Delta t^{1,2990}$

Prices are referred to colour WHITE R01 - RAL 9010 version. For coloured version see page 174.

* For output at different Δt than 50°C, see page 162.



CLASSIC LINE RETRÒ

Retro is the new line of Cordivari radiators, inspired by classical forms and elegant Design.

With timeless shapes these decorative radiators are available with shiny and bright finish to decorate your bathroom with the most exclusive taste.

The line Retro is available in 6 models with 4 different finishes: Chrome, Antique Bronze, Antique Gold and Dark Gold.

Material:
• Brass elements

Fixing kit:
• Fixing brackets already integrated on radiator with plugs and screws included
• Airvent included
• User notice

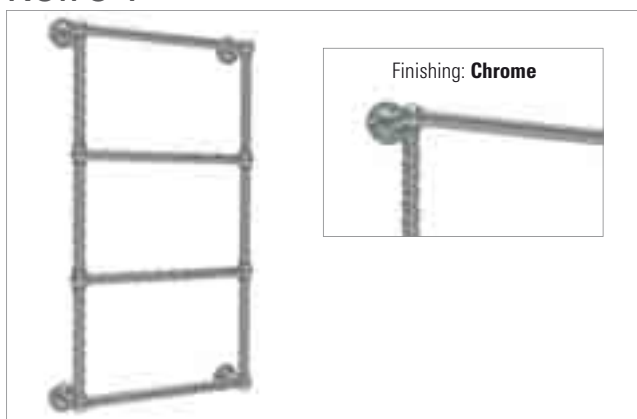
Packaging:
The radiator is protected by a recyclable film in polyethylene and with a box in recyclable carton. User notice included.

Finishing:
Chrome, Antique bronze, Antique gold, Dark Gold.

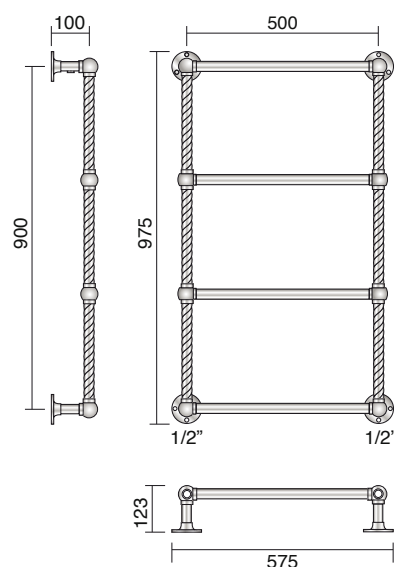
P. max: 6 bar	Available for central heating systems
T. max: 95° C	Connections: n° 2 x 1/2" gas - Airvent integrated on radiator



Retrò I



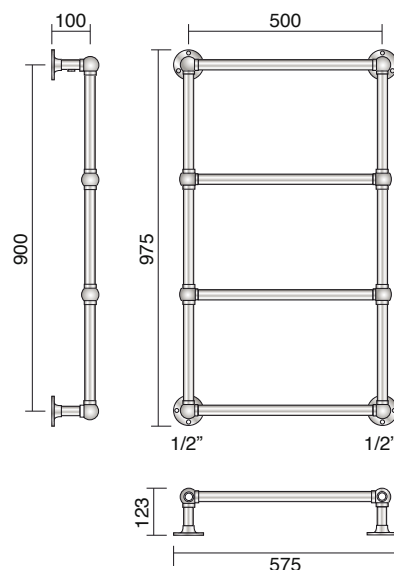
Code Nr.	Height	Width	Pipe Centres	FINISHING	Price
	[mm]	L [mm]	I [mm]		€
3551330150002	975	575	500	CHROME	1.195,00
3551330150001				ANTIQUE GOLD	1.716,00
3551330150003				ANTIQUE BRONZE	1.788,00
3551330150004				DARK GOLD	2.512,00



Retrò II



Code Nr.	Height	Width	Pipe Centres	FINISHING	Price
	[mm]	L [mm]	I [mm]		€
3551330150012	975	575	500	CHROME	1.147,00
3551330150011				ANTIQUE GOLD	1.668,00
3551330150013				ANTIQUE BRONZE	1.757,00
3551330150014				DARK GOLD	2.440,00



CLASSIC LINE

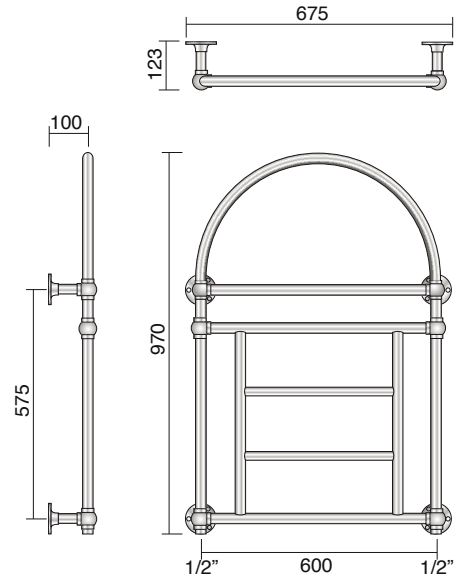


CLASSIC LINE RETRÒ

Retrò III



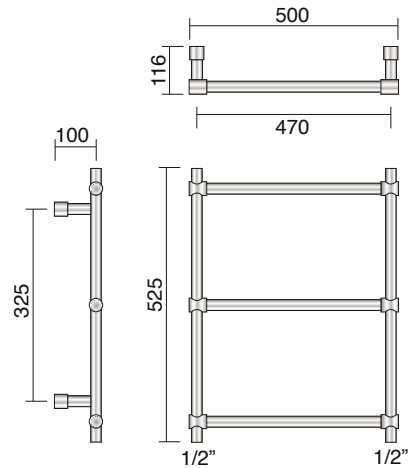
Code Nr.	Height	Width	Pipe Centres	FINISHING	Price
	[mm]	L [mm]	I [mm]		€
3551330150022	970	675	600	CHROME	1.343,00
3551330150021				ANTIQUÉ GOLD	2.051,00
3551330150023				ANTIQUÉ BRONZE	2.148,00
3551330150024				DARK GOLD	3.828,00



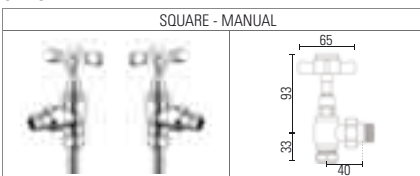
Retrò IV



Code Nr.	Height	Width	Pipe Centres	FINISHING	Price
	[mm]	L [mm]	I [mm]		€
3551330150032	525	500	470	CHROME	622,00
3551330150033				ANTIQUÉ BRONZE	1.036,00
3551330150031				ANTIQUÉ GOLD	1.050,00
3551330150034				DARK GOLD	1.269,00



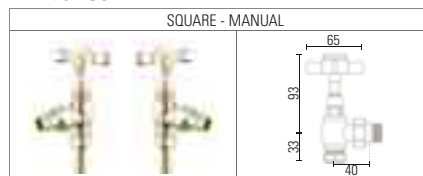
CHROME



C	Code Nr.	M	Code Nr.
Ø 10/12/14/15/16	5991990311134	Ø 14/16/18	5991990311135
Price € 130,00		Price € 130,00	

C = Copper connection • M = Multilayer connection

ANTIQUÉ GOLD



C	Code Nr.	M	Code Nr.
Ø 10/12/14/15/16	5991990311132	Ø 14/16/18	5991990311133
Price € 309,00		Price € 309,00	

C = Copper connection • M = Multilayer connection

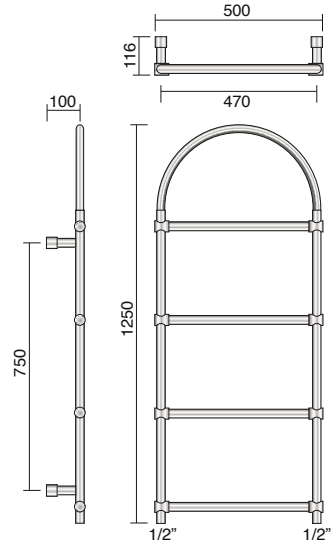


CLASSIC LINE RETRÒ

Retrò V



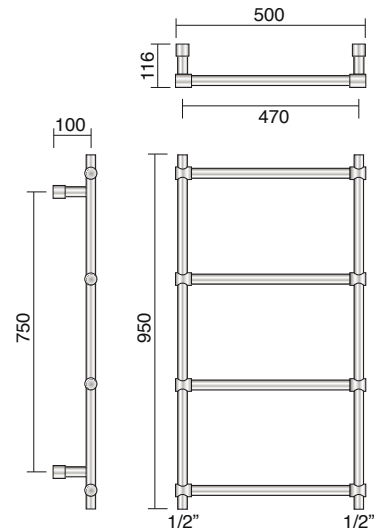
Code Nr.	Height	Width	Pipe Centres	FINISHING	Price
	[mm]	L [mm]	I [mm]		€
3551330150042	1200	500	470	CHROME	961,00
3551330150043				ANTIQUE BRONZE	1.489,00
3551330150041				ANTIQUE GOLD	1.498,00
3551330150044				DARK GOLD	2.343,00



Retrò VI

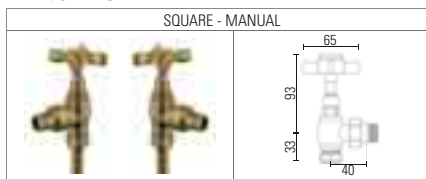


Code Nr.	Height	Width	Pipe Centres	FINISHING	Price
	[mm]	L [mm]	I [mm]		€
3551330150052	950	500	470	CHROME	797,00
3551330150053				ANTIQUE BRONZE	1.331,00
3551330150051				ANTIQUE GOLD	1.335,00
3551330150054				DARK GOLD	1.998,00



CLASSIC LINE

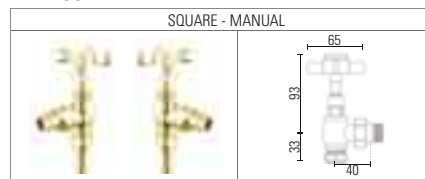
ANTIQUE BRONZE



C	Code Nr.	M	Code Nr.
Ø 10/12/14/15/16	5991990311130	Ø 14/16/18	5991990311131
Price € 307,00		Price € 307,00	

C = Copper connection • M = Multilayer connection

DARK GOLD



C	Code Nr.	M	Code Nr.
Ø 10/12/14/15/16	5991990311128	Ø 14/16/18	5991990311129
Price € 385,00		Price € 385,00	

C = Copper connection • M = Multilayer connection



FRAME ARTIC - CORALLO - LAGOON

Artwork: Mariano Moroni

Cordivari Design presents a new attractive range of radiators with exclusive colour combinations created by architect and artist Mariano Moroni. The new graphics are available on FRAME and FRAME PLUS furnishing radiators. The accurate manufacturing and impeccable finishes enhance the elegance and harmony of the new Frame colours. The colour palette is made with ecological epoxy-polyester powders with 90 gloss brightness. The entire range is accessorized with handy and essential satin stainless steel towel racks.

Material:

- Horizontal collectors in painted carbon steel with \varnothing of 30 mm.
- Vertical heating elements in painted carbon steel 50x10 mm.
- Heating plate in painted carbon steel.

Fixing kit:

- Brackets
- Airvent
- Hexagonal tool
- Plugs and screws for mounting suitable for use on compact or hollow brick walls
- User notice

Packaging:

The radiator is protected by a wooden crate. User notice included.

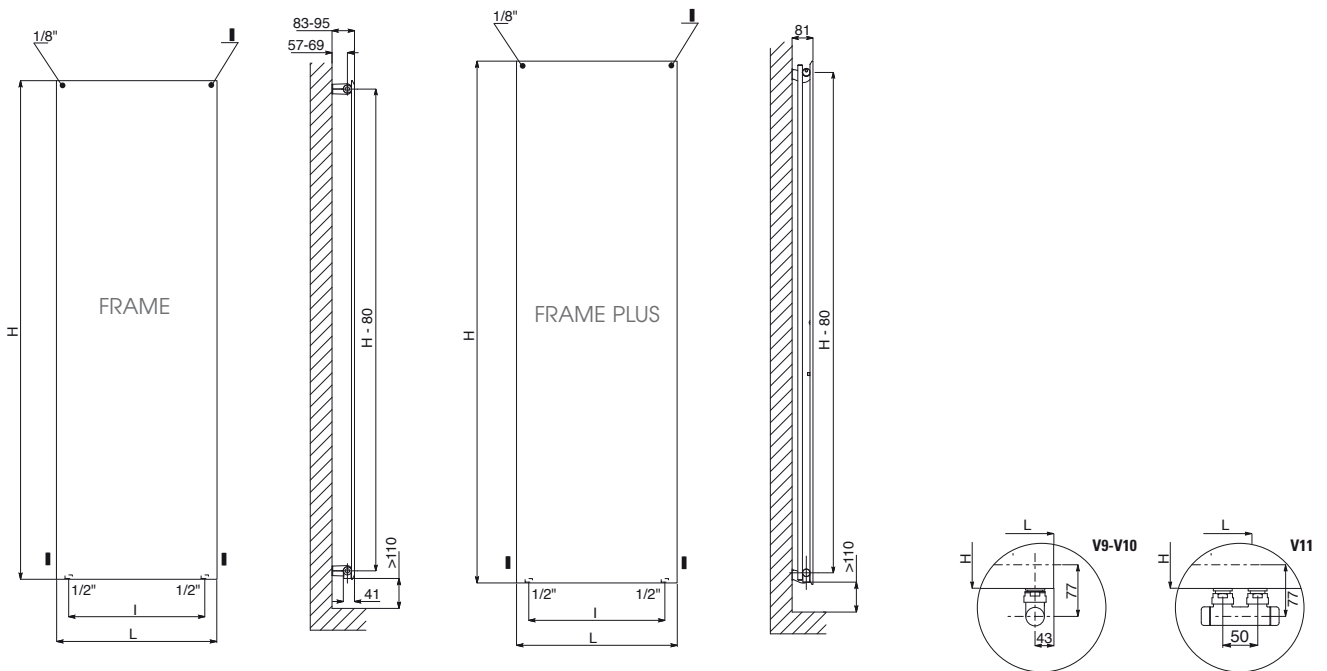
Painting process:

Painted with ecological epoxy powders 90 gloss brightness. (Certificate DIN 55900-1,-2)

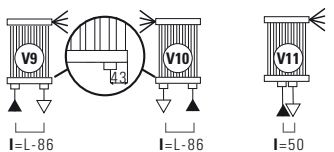
Accessories and spare parts:

See page 157.

P. max: 5 bar	Available for central heating systems
T. max: 95° C	Connections: n° 2 x 1/2" gas - n° 1 x 1/8" gas for Airvent



CONNECTIONS



Always specify the kind of connection needed when ordering (V9/V10/V11). Bidirectional connection not possible.

LEGEND	
	In
	Airvent
	Out
	H Height
	Connection
	Width=20 - Height=15
	Blind Plug
	Pipe Centres L Width

CORALLO



Primitive signs and colours presented in a contemporary style have inspired the Frame CORALLO furnishing radiator. The sinuous lines cover the entire heating surface radiating a joyful dynamism. Frame Corallo enriches everyday life with new visual and emotional stimuli. Versatile and stylish, it fits in any environment and can be accessorised with handy and essential satin stainless steel towel racks.

ARTIC



Frame ARTIC presents the fascination of a snow-white "abstract landscape". Its lines and its coating in shades of grey and black are lost in a sea of white, creating horizons, skies and territories that belong to the soul. Artic involves and stirs emotions just like in front of a painting. This radiator, available in four sizes, is versatile and functional and it represents an important contribution to interior architecture.

LAGOON

ROSA



AZUL



Infinite color gradations, reflections, but, above all, transparency of colors: these are the Frame Lagoon distinctive features.

The brightness and the enriched chromatic effects, evoke the perception of flowing water.

The original paint comes from the Artist's expert hands, that using old painting techniques impress the water-based color on paper with appropriate designed paintbrushes' bristles.

FRAME

Height	Width	ARTWORK	Price	Pipe Centres (V9 - V10)	Dry Weight	Water Content	Thermal output $\Delta t = 50^\circ\text{C}$		75/65/20°C ($\Delta t=50^\circ\text{C}$)	
			€	l [mm]			[Kg]	[lt]	Watts	Kcal/h
1832	474	CORALLO (G09)	1.545,00	388	25,1	5,6	889	765	$\phi = 5,8549 * \Delta t$ ^{1,2840}	
	586		1.632,00	500	31,3	7,0	1112	956	$\phi = 7,3187 * \Delta t$ ^{1,2840}	
2032	474		1.680,00	388	27,3	5,8	988	850	$\phi = 6,5055 * \Delta t$ ^{1,2840}	
	586		1.785,00	500	34,1	7,2	1235	1062	$\phi = 8,1319 * \Delta t$ ^{1,2840}	
1832	474	ARTIC (G10)	1.545,00	388	25,1	5,6	889	765	$\phi = 5,8549 * \Delta t$ ^{1,2840}	
	586		1.632,00	500	31,3	7,0	1112	956	$\phi = 7,3187 * \Delta t$ ^{1,2840}	
2032	474		1.680,00	388	27,3	5,8	988	850	$\phi = 6,5055 * \Delta t$ ^{1,2840}	
	586		1.785,00	500	34,1	7,2	1235	1062	$\phi = 8,1319 * \Delta t$ ^{1,2840}	
1832	474	AZUL (P21)	1.545,00	388	25,1	5,6	889	765	$\phi = 5,8549 * \Delta t$ ^{1,2840}	
	586		1.632,00	500	31,3	7,0	1112	956	$\phi = 7,3187 * \Delta t$ ^{1,2840}	
2032	474		ROSA (P22)	1.680,00	388	27,3	5,8	988	850	$\phi = 6,5055 * \Delta t$ ^{1,2840}
	586			1.785,00	500	34,1	7,2	1235	1062	$\phi = 8,1319 * \Delta t$ ^{1,2840}

Always specify while ordering the desired Artwork type (Corallo / Artic / Lagoon).

* For output at different Δt than 50°C , see page 162.

FRAME PLUS

Height	Width	ARTWORK	Price	Pipe Centres (V9 - V10)	Dry Weight	Water Content	Thermal output $\Delta t = 50^\circ\text{C}$		75/65/20°C ($\Delta t=50^\circ\text{C}$)	
			€	l [mm]			[Kg]	[lt]	Watts	Kcal/h
1832	474	CORALLO (G09)	1.716,00	388	35,7	11,2	1320	1135	$\phi = 9,6792 * \Delta t$ ^{1,2840}	
	586		1.904,00	500	45,1	13,7	1650	1419	$\phi = 12,0990 * \Delta t$ ^{1,2840}	
2032	474		1.950,00	388	39,5	12,3	1440	1238	$\phi = 10,4294 * \Delta t$ ^{1,2840}	
	586		2.160,00	500	49,9	15,0	1800	1548	$\phi = 13,0368 * \Delta t$ ^{1,2840}	
1832	474	ARTIC (G10)	1.716,00	388	35,7	11,2	1320	1135	$\phi = 9,6792 * \Delta t$ ^{1,2840}	
	586		1.904,00	500	45,1	13,7	1650	1419	$\phi = 12,0990 * \Delta t$ ^{1,2840}	
2032	474		1.950,00	388	39,5	12,3	1440	1238	$\phi = 10,4294 * \Delta t$ ^{1,2840}	
	586		2.160,00	500	49,9	15,0	1800	1548	$\phi = 13,0368 * \Delta t$ ^{1,2840}	
1832	474	AZUL (P21)	1.716,00	388	35,7	11,2	1320	1135	$\phi = 9,6792 * \Delta t$ ^{1,2840}	
	586		1.904,00	500	45,1	13,7	1650	1419	$\phi = 12,0990 * \Delta t$ ^{1,2840}	
2032	474		ROSA (P22)	1.950,00	388	39,5	12,3	1440	1238	$\phi = 10,4294 * \Delta t$ ^{1,2840}
	586			2.160,00	500	49,9	15,0	1800	1548	$\phi = 13,0368 * \Delta t$ ^{1,2840}

Always specify while ordering the desired Artwork type (Corallo / Artic / Lagoon).

* For output at different Δt than 50°C , see page 162.



FRAME PICTURE

Customize the:

- FRAME
- FRAME PLUS

radiators with your favourite pictures, forever imprinted on the surface.

For technical features and connections see FRAME Page 138.

FRAME PICTURE

Height [mm]	Width L [mm]	Price €
1832	474	1.545,00
	586	1.632,00
2032	474	1.680,00
	586	1.785,00

FRAME PLUS PICTURE

Height [mm]	Width L [mm]	Price €
1832	474	1.716,00
	586	1.904,00
2032	474	1.950,00
	586	2.160,00

HOW TO ORDER **CUSTOM IMAGES**

- Choose between FRAME / FRAME PLUS (painted model).
- Select the size (H and L) and the connection type.
- Send your high resolution image (300 dpi - jpg, tiff, eps file), or your real picture. (Material used for rendering will not be given back).
- Send the relevant **acquittance** to Cordivari dealer (*All images send by customer must respect all relevant rules of copyright*).
- Our graphic team will resize the desired image on the selected radiator.
- Approve the pdf preview and order.



HOW TO ORDER **STANDARD IMAGES**

- Choose between FRAME / FRAME PLUS (painted model).
- Select the size (H and L) and the connection type.
- Choose a picture from our image gallery.
- Our graphic team will resize the desired image on the selected radiator.
- Approve the pdf preview and order.

IMAGE GALLERY



Frame Picture radiators are made in painted carbon steel using a unique and everlasting painting process. The Frame Picture painting process was awarded by ANVER (Italian Painters Association), during "Polveri 2001" Exhibition (Verona, Italy), where it stood out for its innovation, high quality finishing and environment friendly approach.

PHOTOS BY: PIERO E ITALO DEL GOVERNATORE - ITALCOLOR



Fisher (P09)



Shore (P11)



Bay (P10)

DRAWING BY
JACQUES TARARAN



Fiò (P12)

PICTURES



City 2 (P17)



River (P18)



Silhouette (P01)

ARTWORK

BY MARIANO MORONI



Abstract 01 (G11)



Abstract 02 (G12)



Abstract 03 (G13)



Abstract 04 (G14)



Abstract 05 (G15)



Abstract 06 (G16)

GRAPHIC PICTURE



ROSY GRAPHIC TOTEM - RING

Artwork: Mariano Moroni

Cordivari proposes an evolution of personalized radiators with the Rosy Graphic models: 4 single columns in painted carbon steel which are decorated with original graphics ideated by the Arch. Mariano Moroni.

Vertical and horizontal dimensions and colours have been chosen with care to offer an exclusive design radiators collection easy to place in every contemporaneous living space.

Rosy Graphic artwork are available on models Rosy, Rosy Tandem and Rosy Max.

Material:

- Horizontal / vertical collectors in painted carbon steel with \varnothing of 38 mm
- Vertical / horizontal elements in painted carbon steel 50x10 mm

Fixing kit:

- Brackets
- Airvent
- Hexagonal tool
- Plugs and screws for mounting suitable for use on compact or hollow brick walls
- User notice

Packaging:

The radiator is protected by a wooden crate. User notice included.

Painting process:

Painted with ecological epoxy powders 90 gloss brightness. (Certificate DIN 55900-1,-2)

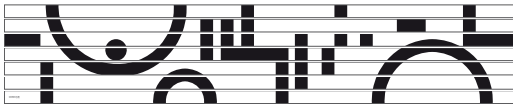
Accessories and spare parts:

See page 157.

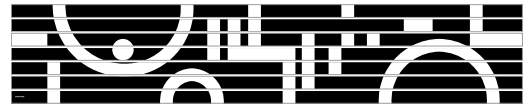
P. max: 5 bar	Available for central heating systems
T. max: 95° C	- Connections (VERTICAL version): n° 2 x 1/2" gas - n° 1 x 1/8" gas for Airvent - Connections (HORIZONTAL version): n° 2 x 1/2" gas - n° 1 x 1/2" gas for Airvent



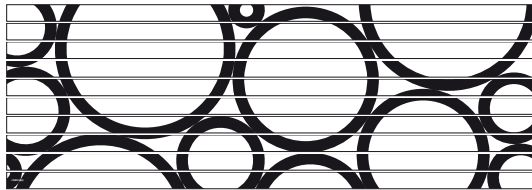
HORIZONTAL VERSION



(G01)



(G02)



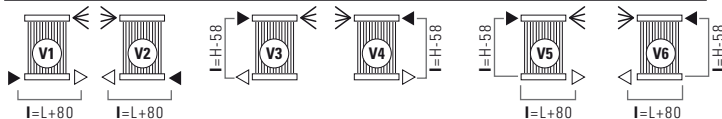
(G04)

Ring, Totem Black e Totem White are available in horizontal and vertical version.

Vertical and horizontal dimensions and graphic have been chosen with care to offer an exclusive design radiators collection easy to place in every contemporaneous living space.

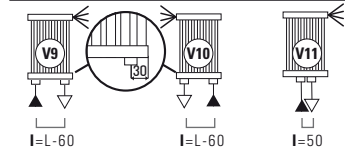
We always suggest to indicate the connections when you order.

STANDARD CONNECTIONS



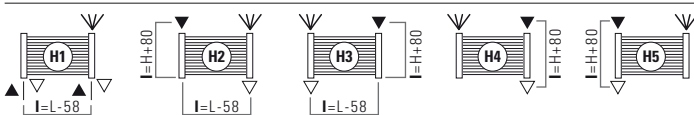
Always specify the kind of connection needed when ordering. Bidirectional connection not possible.

SPECIAL CONNECTIONS (Surcharge € 50,00)



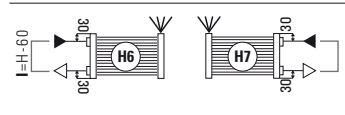
LEGEND	
	In
	Out
	Airvent
	H Height
	Connection Width=20 - Height=15
	Blind Plug
	L Width

STANDARD CONNECTIONS



Always specify the kind of connection needed when ordering. Bidirectional connection not possible.

SPECIAL CONNECTIONS (Surcharge € 50,00)

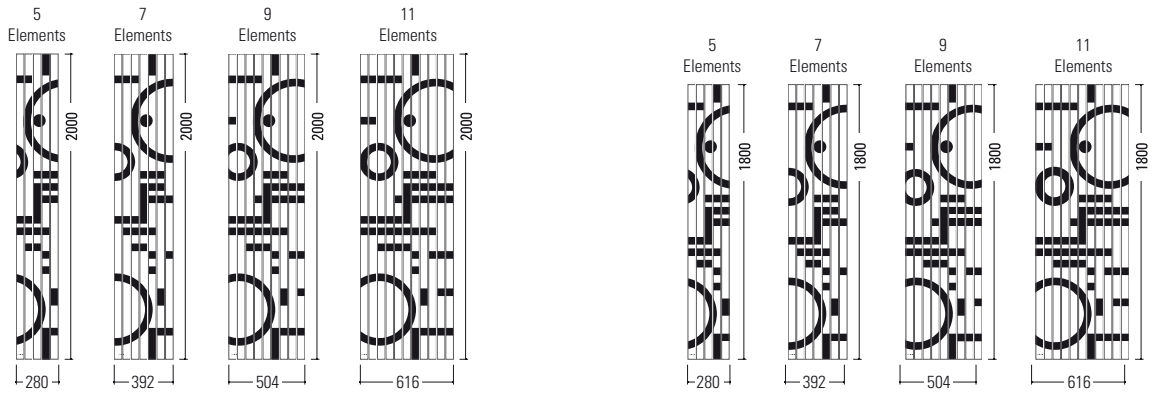


VERTICAL VERSION



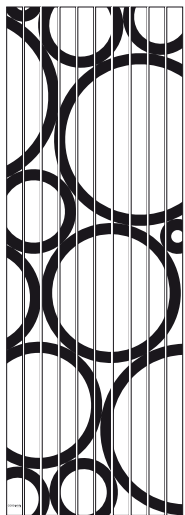
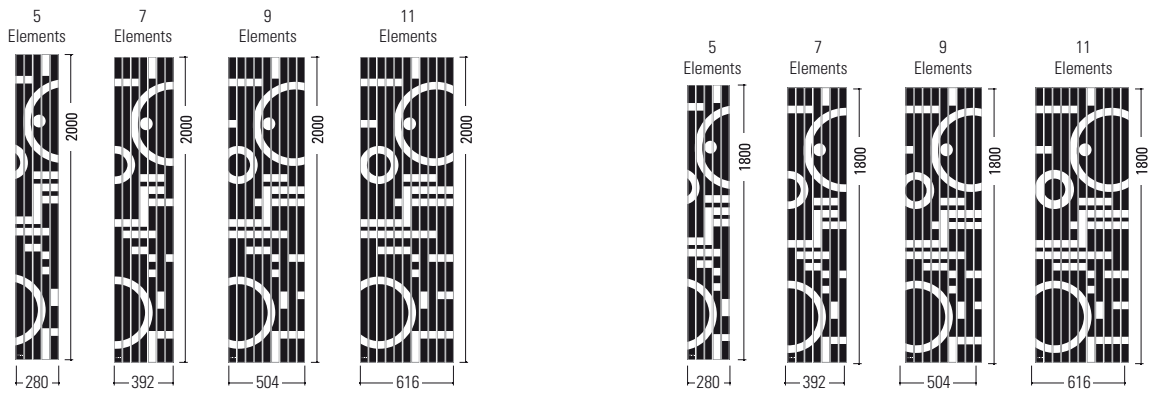
G01 - Totem White

Available measures



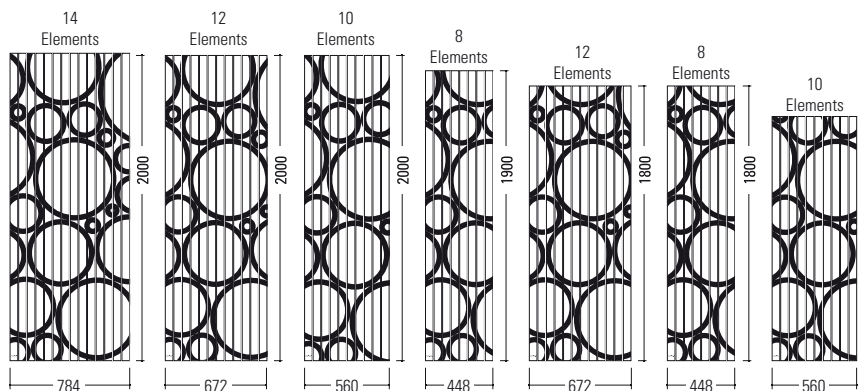
G02 - Totem Black

Available measures



G04 - Ring

Available measures



ROSY GRAPHIC VERTICAL

STANDARD Version		N. Elements	Price	Pipe Centres	Dry Weight	Water Content	Thermal output $\Delta t = 50^{\circ}\text{C}$		75/65/20°C ($\Delta t=50^{\circ}\text{C}$)
			€	l [mm]	[Kg]	[lt]	Watts	Kcal/h	* Thermal output ϕ in Watts and Δt in °C
G01	Totem White 280 x 1800 mm	5	590,00	1742	12,8	3,5	570	490	$\phi = 3,7532 * \Delta t$ ^{1,2840}
	Totem White 392 x 1800 mm	7	657,00	1742	18	4,9	798	686	$\phi = 5,2544 * \Delta t$ ^{1,2840}
	Totem White 504 x 1800 mm	9	801,00	1742	23,1	6,3	1026	882	$\phi = 6,7557 * \Delta t$ ^{1,2840}
	Totem White 616 x 1800 mm	11	945,00	1742	28,2	7,7	1254	1078	$\phi = 8,2570 * \Delta t$ ^{1,2840}
	Totem White 280 x 2000 mm	5	620,00	1942	14,1	3,8	630	542	$\phi = 4,1710 * \Delta t$ ^{1,2826}
	Totem White 392 x 2000 mm	7	714,00	1942	19,8	5,3	882	758	$\phi = 5,8394 * \Delta t$ ^{1,2826}
	Totem White 504 x 2000 mm	9	870,00	1942	25,5	6,9	1134	975	$\phi = 7,5078 * \Delta t$ ^{1,2826}
Totem White 616 x 2000 mm	11	1.026,00	1942	31,2	8,4	1386	1192	$\phi = 9,1762 * \Delta t$ ^{1,2826}	
G02	Totem Black 280 x 1800 mm	5	590,00	1742	12,8	3,5	570	490	$\phi = 3,7532 * \Delta t$ ^{1,2840}
	Totem Black 392 x 1800 mm	7	657,00	1742	18	4,9	798	686	$\phi = 5,2544 * \Delta t$ ^{1,2840}
	Totem Black 504 x 1800 mm	9	801,00	1742	23,1	6,3	1026	882	$\phi = 6,7557 * \Delta t$ ^{1,2840}
	Totem Black 616 x 1800 mm	11	945,00	1742	28,2	7,7	1254	1078	$\phi = 8,2570 * \Delta t$ ^{1,2840}
	Totem Black 280 x 2000 mm	5	620,00	1942	14,1	3,8	630	542	$\phi = 4,1710 * \Delta t$ ^{1,2826}
	Totem Black 392 x 2000 mm	7	714,00	1942	19,8	5,3	882	758	$\phi = 5,8394 * \Delta t$ ^{1,2826}
	Totem Black 504 x 2000 mm	9	870,00	1942	25,5	6,9	1134	975	$\phi = 7,5078 * \Delta t$ ^{1,2826}
Totem Black 616 x 2000 mm	11	1.026,00	1942	31,2	8,4	1386	1192	$\phi = 9,1762 * \Delta t$ ^{1,2826}	
G04	Ring 448 x 1800 mm	8	729,00	1742	20,5	5,6	912	784	$\phi = 6,0051 * \Delta t$ ^{1,2840}
	Ring 448 x 1900 mm	8	747,00	1842	21,6	5,8	960	826	$\phi = 6,3211 * \Delta t$ ^{1,2840}
	Ring 560 x 1600 mm	10	801,00	1542	23	6,3	1020	877	$\phi = 6,6795 * \Delta t$ ^{1,2854}
	Ring 560 x 2000 mm	10	948,00	1942	28,3	7,6	1260	1083	$\phi = 8,3420 * \Delta t$ ^{1,2826}
	Ring 672 x 1800 mm	12	1.017,00	1742	30,8	8,4	1368	1176	$\phi = 9,0076 * \Delta t$ ^{1,2840}
	Ring 672 x 2000 mm	12	1.104,00	1942	34	9,1	1512	1300	$\phi = 10,0104 * \Delta t$ ^{1,2826}
	Ring 784 x 2000 mm	14	1.260,00	1942	39,7	10,7	1764	1517	$\phi = 11,6788 * \Delta t$ ^{1,2826}

TANDEM Version		N. Elements	Price	Pipe Centres	Dry Weight	Water Content	Thermal output $\Delta t = 50^{\circ}\text{C}$		75/65/20°C ($\Delta t=50^{\circ}\text{C}$)
			€	l [mm]	[Kg]	[lt]	Watts	Kcal/h	* Thermal output ϕ in Watts and Δt in °C
G01	Totem White 280 x 1800 mm	5	1.066,00	1742	25	6,4	825	709	$\phi = 4,3857 * \Delta t$ ^{1,3387}
	Totem White 392 x 1800 mm	7	1.227,00	1742	35	9	1155	993	$\phi = 6,1400 * \Delta t$ ^{1,3387}
	Totem White 504 x 1800 mm	9	1.485,00	1742	44,8	11,6	1485	1277	$\phi = 7,8943 * \Delta t$ ^{1,3387}
	Totem White 616 x 1800 mm	11	1.743,00	1742	54,8	14,2	1815	1561	$\phi = 9,6486 * \Delta t$ ^{1,3387}
	Totem White 280 x 2000 mm	5	1.106,00	1942	27,6	7,1	900	774	$\phi = 4,7957 * \Delta t$ ^{1,3381}
	Totem White 392 x 2000 mm	7	1.269,00	1942	38,6	9,9	1260	1084	$\phi = 6,7140 * \Delta t$ ^{1,3381}
	Totem White 504 x 2000 mm	9	1.533,00	1942	49,7	12,8	1620	1393	$\phi = 9,5914 * \Delta t$ ^{1,3381}
Totem White 616 x 2000 mm	11	1.797,00	1942	60	15,6	1680	1980	$\phi = 10,5505 * \Delta t$ ^{1,3381}	
G02	Totem Black 280 x 1800 mm	5	1.066,00	1742	25	6,4	825	709	$\phi = 4,3857 * \Delta t$ ^{1,3387}
	Totem Black 392 x 1800 mm	7	1.227,00	1742	35	9	1155	993	$\phi = 6,1400 * \Delta t$ ^{1,3387}
	Totem Black 504 x 1800 mm	9	1.485,00	1742	44,8	11,6	1485	1277	$\phi = 7,8943 * \Delta t$ ^{1,3387}
	Totem Black 616 x 1800 mm	11	1.743,00	1742	54,8	14,2	1815	1561	$\phi = 9,6486 * \Delta t$ ^{1,3387}
	Totem Black 280 x 2000 mm	5	1.106,00	1942	27,6	7,1	900	774	$\phi = 4,7957 * \Delta t$ ^{1,3381}
	Totem Black 392 x 2000 mm	7	1.269,00	1942	38,6	9,9	1260	1084	$\phi = 6,7140 * \Delta t$ ^{1,3381}
	Totem Black 504 x 2000 mm	9	1.533,00	1942	49,7	12,8	1620	1393	$\phi = 9,5914 * \Delta t$ ^{1,3381}
Totem Black 616 x 2000 mm	11	1.797,00	1942	60	15,6	1680	1980	$\phi = 10,5505 * \Delta t$ ^{1,3381}	
G04	Ring 448 x 1800 mm	8	1.356,00	1742	40	10,3	1320	1135	$\phi = 7,0172 * \Delta t$ ^{1,3387}
	Ring 448 x 1900 mm	8	1.371,00	1842	42	10,9	1391	1196	$\phi = 7,41600 * \Delta t$ ^{1,3380}
	Ring 560 x 1600 mm	10	1.454,00	1542	46,9	11,6	1490	1281	$\phi = 7,9023 * \Delta t$ ^{1,3393}
	Ring 560 x 2000 mm	10	1.533,00	1942	55,2	14,2	1800	1548	$\phi = 9,5914 * \Delta t$ ^{1,3381}
	Ring 672 x 1800 mm	12	1.723,00	1742	59,8	15,5	1980	1703	$\phi = 10,5258 * \Delta t$ ^{1,3387}
	Ring 672 x 2000 mm	12	1.743,00	1942	66	17	2160	1858	$\phi = 11,5096 * \Delta t$ ^{1,3381}
	Ring 784 x 2000 mm	14	2.193,00	1942	77	19,9	2520	2167	$\phi = 13,4279 * \Delta t$ ^{1,3381}

MAX Version		N. Elements	Price	Pipe Centres	Dry Weight	Water Content	Thermal output $\Delta t = 50^{\circ}\text{C}$		75/65/20°C ($\Delta t=50^{\circ}\text{C}$)
			€	l [mm]	[Kg]	[lt]	Watts	Kcal/h	* Thermal output ϕ in Watts and Δt in °C
G01	Totem White 280 x 1800 mm	5	1.314,00	1762	38,7	9,5	1368	1176	$\phi = 6,8767 * \Delta t$ ^{1,3530}
	Totem White 392 x 1800 mm	7	1.473,00	1762	51,2	12,7	1824	1568	$\phi = 9,1698 * \Delta t$ ^{1,3530}
	Totem White 504 x 1800 mm	9	1.695,00	1762	66,1	16,5	2371	2038	$\phi = 11,9196 * \Delta t$ ^{1,3530}
	Totem White 616 x 1800 mm	11	1.917,00	1762	78,6	19,7	2827	2430	$\phi = 14,2118 * \Delta t$ ^{1,3530}
	Totem White 280 x 2000 mm	5	1.374,00	1962	42,9	10,5	1512	1300	$\phi = 7,6303 * \Delta t$ ^{1,3520}
	Totem White 392 x 2000 mm	7	1.545,00	1962	56,7	14,0	2016	1733	$\phi = 10,1738 * \Delta t$ ^{1,3520}
	Totem White 504 x 2000 mm	9	1.791,00	1962	73,2	18,2	2620	2253	$\phi = 13,2259 * \Delta t$ ^{1,3520}
Totem White 616 x 2000 mm	11	2.037,00	1962	87,1	21,7	3124	2686	$\phi = 15,7694 * \Delta t$ ^{1,3520}	
G02	Totem Black 280 x 1800 mm	5	1.314,00	1762	38,7	9,5	1368	1176	$\phi = 6,8767 * \Delta t$ ^{1,3530}
	Totem Black 392 x 1800 mm	7	1.473,00	1762	51,2	12,7	1824	1568	$\phi = 9,1698 * \Delta t$ ^{1,3530}
	Totem Black 504 x 1800 mm	9	1.695,00	1762	66,1	16,5	2371	2038	$\phi = 11,9196 * \Delta t$ ^{1,3530}
	Totem Black 616 x 1800 mm	11	1.917,00	1762	78,6	19,7	2827	2430	$\phi = 14,2118 * \Delta t$ ^{1,3530}
	Totem Black 280 x 2000 mm	5	1.374,00	1962	42,9	10,5	1512	1300	$\phi = 7,6303 * \Delta t$ ^{1,3520}
	Totem Black 392 x 2000 mm	7	1.545,00	1962	56,7	14,0	2016	1733	$\phi = 10,1738 * \Delta t$ ^{1,3520}
	Totem Black 504 x 2000 mm	9	1.791,00	1962	73,2	18,2	2620	2253	$\phi = 13,2259 * \Delta t$ ^{1,3520}
Totem Black 616 x 2000 mm	11	2.037,00	1962	87,1	21,7	3124	2686	$\phi = 15,7694 * \Delta t$ ^{1,3520}	
G04	Ring 448 x 1800 mm	8	1.668,00	1762	58,7	14,6	2097	1803	$\phi = 10,5443 * \Delta t$ ^{1,3530}
	Ring 560 x 2000 mm	10	1.914,00	1962	78,8	19,7	2822	2426	$\phi = 14,2433 * \Delta t$ ^{1,3520}
	Ring 672 x 1800 mm	12	2.028,00	1762	86,0	21,6	3100	2666	$\phi = 15,5872 * \Delta t$ ^{1,3530}
	Ring 672 x 2000 mm	12	2.160,00	1962	95,3	23,8	3427	2946	$\phi = 17,2955 * \Delta t$ ^{1,3520}
	Ring 784 x 2000 mm	14	2.406,00	1962	111,9	28,0	4032	3466	$\phi = 20,3476 * \Delta t$ ^{1,3520}

The price are referred to standard connection (V1-V6). For special connection see Page 152.

ROSY GRAPHIC HORIZONTAL

STANDARD Version	N. Elements	Price	Pipe Centres	Dry Weight	Water Content	Thermal output $\Delta t = 50^{\circ}\text{C}$		75/65/20°C ($\Delta t=50^{\circ}\text{C}$)	
		€	l [mm]	[Kg]	[lt]	Watts	Kcal/h	* Thermal output ϕ in Watts and Δt in °C	
G01	Totem White 280 x 1800 mm	5	590,00	1742	12,8	3,5	619	532	$\phi = 4,8848 * \Delta t$ ^{1,2378}
	Totem White 392 x 1800 mm	7	657,00	1742	18	4,9	841	723	$\phi = 6,6184 * \Delta t$ ^{1,2383}
	Totem White 504 x 1800 mm	9	801,00	1742	23,1	6,3	1058	910	$\phi = 8,3137 * \Delta t$ ^{1,2389}
	Totem White 616 x 1800 mm	11	945,00	1742	28,2	7,7	1271	1093	$\phi = 9,9626 * \Delta t$ ^{1,2394}
	Totem White 280 x 2000 mm	5	620,00	1942	14,1	3,8	688	592	$\phi = 5,4275 * \Delta t$ ^{1,2378}
	Totem White 392 x 2000 mm	7	714,00	1942	19,8	5,3	934	803	$\phi = 7,3538 * \Delta t$ ^{1,2383}
	Totem White 504 x 2000 mm	9	870,00	1942	25,5	6,9	1176	1011	$\phi = 9,2375 * \Delta t$ ^{1,2389}
G02	Totem White 616 x 2000 mm	11	1.026,00	1942	31,2	8,4	1412	1214	$\phi = 11,0696 * \Delta t$ ^{1,2394}
	Totem Black 280 x 1800 mm	5	590,00	1742	12,8	3,5	619	532	$\phi = 4,8848 * \Delta t$ ^{1,2378}
	Totem Black 392 x 1800 mm	7	657,00	1742	18	4,9	841	723	$\phi = 6,6184 * \Delta t$ ^{1,2383}
	Totem Black 504 x 1800 mm	9	801,00	1742	23,1	6,3	1058	910	$\phi = 8,3137 * \Delta t$ ^{1,2389}
	Totem Black 616 x 1800 mm	11	945,00	1742	28,2	7,7	1271	1093	$\phi = 9,9626 * \Delta t$ ^{1,2394}
	Totem Black 280 x 2000 mm	5	620,00	1942	14,1	3,8	688	592	$\phi = 5,4275 * \Delta t$ ^{1,2378}
	Totem Black 392 x 2000 mm	7	714,00	1942	19,8	5,3	934	803	$\phi = 7,3538 * \Delta t$ ^{1,2383}
G04	Totem Black 504 x 2000 mm	9	870,00	1942	25,5	6,9	1176	1011	$\phi = 9,2375 * \Delta t$ ^{1,2389}
	Totem Black 616 x 2000 mm	11	1.026,00	1942	31,2	8,4	1412	1214	$\phi = 11,0696 * \Delta t$ ^{1,2394}
	Ring 448 x 1800 mm	8	729,00	1742	20,5	5,6	950	817	$\phi = 7,4742 * \Delta t$ ^{1,2386}
	Ring 448 x 1900 mm	8	747,00	1842	21,6	5,8	1003	863	$\phi = 7,8894 * \Delta t$ ^{1,2386}
	Ring 560 x 1600 mm	10	801,00	1542	23	6,3	1035	890	$\phi = 8,1220 * \Delta t$ ^{1,2392}
	Ring 560 x 2000 mm	10	948,00	1942	28,3	7,6	1294	1113	$\phi = 10,1524 * \Delta t$ ^{1,2392}
	Ring 672 x 1800 mm	12	1.017,00	1742	30,8	8,4	1377	1184	$\phi = 10,7825 * \Delta t$ ^{1,2397}
Ring 672 x 2000 mm	12	1.104,00	1942	34	9,1	1530	1316	$\phi = 11,9806 * \Delta t$ ^{1,2397}	
Ring 784 x 2000 mm	14	1.260,00	1942	39,7	10,7	1762	1515	$\phi = 13,7649 * \Delta t$ ^{1,2403}	

TANDEM Version	N. Elements	Price	Pipe Centres	Dry Weight	Water Content	Thermal output $\Delta t = 50^{\circ}\text{C}$		75/65/20°C ($\Delta t=50^{\circ}\text{C}$)	
		€	l [mm]	[Kg]	[lt]	Watts	Kcal/h	* Thermal output ϕ in Watts and Δt in °C	
G01	Totem White 280 x 1800 mm	5	1.066,00	1742	25	6,4	1078	927	$\phi = 8,0462 * \Delta t$ ^{1,2465}
	Totem White 392 x 1800 mm	7	1.227,00	1742	35	9	1454	1250	$\phi = 11,0896 * \Delta t$ ^{1,2520}
	Totem White 504 x 1800 mm	9	1.485,00	1742	44,8	11,6	1809	1556	$\phi = 14,0934 * \Delta t$ ^{1,2410}
	Totem White 616 x 1800 mm	11	1.743,00	1742	54,8	14,2	2144	1844	$\phi = 17,0650 * \Delta t$ ^{1,2355}
	Totem White 280 x 2000 mm	5	1.106,00	1942	27,6	7,1	1198	1030	$\phi = 8,9402 * \Delta t$ ^{1,2520}
	Totem White 392 x 2000 mm	7	1.269,00	1942	38,6	9,9	1616	1390	$\phi = 12,3218 * \Delta t$ ^{1,2465}
	Totem White 504 x 2000 mm	9	1.533,00	1942	49,7	12,8	2010	1729	$\phi = 15,6594 * \Delta t$ ^{1,2410}
G02	Totem White 616 x 2000 mm	11	1.797,00	1942	60	15,6	2382	2048	$\phi = 18,9611 * \Delta t$ ^{1,2355}
	Totem Black 280 x 1800 mm	5	1.066,00	1742	25	6,4	1078	927	$\phi = 8,0462 * \Delta t$ ^{1,2465}
	Totem Black 392 x 1800 mm	7	1.227,00	1742	35	9	1454	1250	$\phi = 11,0896 * \Delta t$ ^{1,2520}
	Totem Black 504 x 1800 mm	9	1.485,00	1742	44,8	11,6	1809	1556	$\phi = 14,0934 * \Delta t$ ^{1,2410}
	Totem Black 616 x 1800 mm	11	1.743,00	1742	54,8	14,2	2144	1844	$\phi = 17,0650 * \Delta t$ ^{1,2355}
	Totem Black 280 x 2000 mm	5	1.106,00	1942	27,6	7,1	1198	1030	$\phi = 8,9402 * \Delta t$ ^{1,2520}
	Totem Black 392 x 2000 mm	7	1.269,00	1942	38,6	9,9	1616	1390	$\phi = 12,3218 * \Delta t$ ^{1,2465}
G04	Totem Black 504 x 2000 mm	9	1.533,00	1942	49,7	12,8	2010	1729	$\phi = 15,6594 * \Delta t$ ^{1,2410}
	Totem Black 616 x 2000 mm	11	1.797,00	1942	60	15,6	2382	2048	$\phi = 18,9611 * \Delta t$ ^{1,2355}
	Ring 448 x 1800 mm	8	1.356,00	1742	40	10,3	1634	1405	$\phi = 12,5945 * \Delta t$ ^{1,2438}
	Ring 448 x 1900 mm	8	1.371,00	1842	42	10,9	1725	1483	$\phi = 13,2941 * \Delta t$ ^{1,2438}
	Ring 560 x 1600 mm	10	1.454,00	1542	46,9	11,6	1758	1512	$\phi = 17,3059 * \Delta t$ ^{1,2383}
	Ring 560 x 2000 mm	10	1.533,00	1942	55,2	14,2	2198	1890	$\phi = 17,3059 * \Delta t$ ^{1,2383}
	Ring 672 x 1800 mm	12	1.723,00	1742	59,8	15,5	2304	1981	$\phi = 18,5350 * \Delta t$ ^{1,2228}
Ring 672 x 2000 mm	12	1.743,00	1942	66	17	2560	2202	$\phi = 20,5944 * \Delta t$ ^{1,2328}	
Ring 784 x 2000 mm	14	2.193,00	1942	77	19,9	2902	2496	$\phi = 23,8535 * \Delta t$ ^{1,2273}	

MAX Version	N. Elements	Price	Pipe Centres	Dry Weight	Water Content	Thermal output $\Delta t = 50^{\circ}\text{C}$		75/65/20°C ($\Delta t=50^{\circ}\text{C}$)	
		€	l [mm]	[Kg]	[lt]	Watts	Kcal/h	* Thermal output ϕ in Watts and Δt in °C	
G01	Totem White 280 x 1800 mm	5	1.314,00	1762	38,7	9,5	1368	1176	$\phi = 6,8767 * \Delta t$ ^{1,3530}
	Totem White 392 x 1800 mm	7	1.473,00	1762	51,2	12,7	1824	1568	$\phi = 9,1698 * \Delta t$ ^{1,3530}
	Totem White 504 x 1800 mm	9	1.695,00	1762	66,1	16,5	2371	2038	$\phi = 11,9196 * \Delta t$ ^{1,3530}
	Totem White 616 x 1800 mm	11	1.917,00	1762	78,6	19,7	2827	2430	$\phi = 14,2118 * \Delta t$ ^{1,3530}
	Totem White 280 x 2000 mm	5	1.374,00	1962	42,9	10,5	1512	1300	$\phi = 7,6303 * \Delta t$ ^{1,3520}
	Totem White 392 x 2000 mm	7	1.545,00	1962	56,7	14,0	2016	1733	$\phi = 10,1738 * \Delta t$ ^{1,3520}
	Totem White 504 x 2000 mm	9	1.791,00	1962	73,2	18,2	2620	2253	$\phi = 13,2259 * \Delta t$ ^{1,3520}
G02	Totem White 616 x 2000 mm	11	2.037,00	1962	87,1	21,7	3124	2686	$\phi = 15,7694 * \Delta t$ ^{1,3520}
	Totem Black 280 x 1800 mm	5	1.314,00	1762	38,7	9,5	1368	1176	$\phi = 6,8767 * \Delta t$ ^{1,3530}
	Totem Black 392 x 1800 mm	7	1.473,00	1762	51,2	12,7	1824	1568	$\phi = 9,1698 * \Delta t$ ^{1,3530}
	Totem Black 504 x 1800 mm	9	1.695,00	1762	66,1	16,5	2371	2038	$\phi = 11,9196 * \Delta t$ ^{1,3530}
	Totem Black 616 x 1800 mm	11	1.917,00	1762	78,6	19,7	2827	2430	$\phi = 14,2118 * \Delta t$ ^{1,3530}
	Totem Black 280 x 2000 mm	5	1.374,00	1962	42,9	10,5	1512	1300	$\phi = 7,6303 * \Delta t$ ^{1,3520}
	Totem Black 392 x 2000 mm	7	1.545,00	1962	56,7	14,0	2016	1733	$\phi = 10,1738 * \Delta t$ ^{1,3520}
G04	Totem Black 504 x 2000 mm	9	1.791,00	1962	73,2	18,2	2620	2253	$\phi = 13,2259 * \Delta t$ ^{1,3520}
	Totem Black 616 x 2000 mm	11	2.037,00	1962	87,1	21,7	3124	2686	$\phi = 15,7694 * \Delta t$ ^{1,3520}
	Ring 448 x 1800 mm	8	1.668,00	1762	58,7	14,6	2097	1803	$\phi = 10,5443 * \Delta t$ ^{1,3530}
	Ring 560 x 2000 mm	10	1.914,00	1962	78,8	19,7	2822	2426	$\phi = 14,2433 * \Delta t$ ^{1,3520}
	Ring 672 x 1800 mm	12	2.028,00	1762	86,0	21,6	3100	2666	$\phi = 15,5872 * \Delta t$ ^{1,3530}
Ring 672 x 2000 mm	12	2.160,00	1962	95,3	23,8	3427	2946	$\phi = 17,2955 * \Delta t$ ^{1,3520}	
Ring 784 x 2000 mm	14	2.406,00	1962	111,9	28,0	4032	3466	$\phi = 20,3476 * \Delta t$ ^{1,3520}	

The price are referred to standard connection (V1-V6). For special connection see Page 152.

ACCESSORIES AND SPARE PARTS



ACCESSORIES - STAINLESS STEEL RADIATORS

ELEGANT VALVES POLISHED

Kit valves includes:

Valves and holder – thermostatic Head (not in manual version) - Fittings for copper pipe (ø 10/12/14/15/16) or multilayer pipe (ø 14/16/18) – Couple of cover rings for copper pipe (ø 10/12/14/15/16) or multilayer pipe (ø 14/16/18) - 2 pipe covering stickers.

AVAILABLE FOR:

LOLA
BABYLA
KELLY
RIO
RENÉE
FRAME
FRAME Plus

SQUARE - MANUAL

C	Code Nr.	M	Code Nr.
Ø 10/12/14/15/16	5991990301012	Ø 14/16/18	5991990301011
Price € 107,00		Price € 105,00	
C = Copper connection • M = Multilayer connection			

CORNER (RIGHT) - WITH THERMOSTATIC HEAD

Not available on:
BABYLA • KELLY • FRAME
and V11 connection

C	Code Nr.	M	Code Nr.
Ø 10/12/14/15/16	5991990301035	Ø 14/16/18	5991990301033
Price € 183,00		Price € 181,00	
C = Copper connection • M = Multilayer connection			

CORNER (LEFT) - WITH THERMOSTATIC HEAD

Not available on:
BABYLA • KELLY • FRAME
and V11 connection

C	Code Nr.	M	Code Nr.
Ø 10/12/14/15/16	5991990301036	Ø 14/16/18	5991990301034
Price € 183,00		Price € 181,00	
C = Copper connection • M = Multilayer connection			

AVAILABLE FOR:

LOLA
BABYLA
KELLY
RIO
RENÉE
FRAME
FRAME Plus

SQUARE - WITH THERMOSTATIC HEAD

C	Code Nr.	M	Code Nr.
Ø 10/12/14/15/16	5991990301026	Ø 14/16/18	5991990301025
Price € 175,00		Price € 174,00	
C = Copper connection • M = Multilayer connection			

STRAIGHT - WITH THERMOSTATIC HEAD

C	Code Nr.	M	Code Nr.
Ø 10/12/14/15/16	5991990301022	Ø 14/16/18	5991990301021
Price € 175,00		Price € 172,00	
C = Copper connection • M = Multilayer connection			

AVAILABLE ONLY FOR:
LOLA POLISHED

AVAILABLE FOR:

LOLA
BABYLA
KELLY
FRAME
FRAME Plus

REVERSE - MANUAL

C	Code Nr.	M	Code Nr.
Ø 10/12/14/15/16	5991990301010	Ø 14/16/18	5991990301009
Price € 125,00		Price € 122,00	
C = Copper connection • M = Multilayer connection			

AVAILABLE FOR:

BABYLA
KELLY
FRAME
FRAME Plus

Pipe Centres 50 mm **SQUARE - WITH THERMOSTATIC HEAD**
Only for V7 - V8 - V11 connections type*

C	Code Nr.	M	Code Nr.
Ø 10/12/14/15/16	5991990301040	Ø 14/16/18	5991990301039
Price € 190,00		Price € 187,00	
C = Copper connection • M = Multilayer connection			

Pipe Centres 50 mm **STRAIGHT - WITH THERMOSTATIC HEAD**
Only for V7 - V8 - V11 connections type*

C	Code Nr.	M	Code Nr.
Ø 10/12/14/15/16	5991990301038	Ø 14/16/18	5991990301037
Price € 190,00		Price € 187,00	
C = Copper connection • M = Multilayer connection			

ACCESSORY
FITTINGS FOR MULTILAYER PIPE
Ø 20 X 2 FOR POLISHED VALVE

Code Nr. 5006170050051
Price € 40,00

Please note:
Valves Kit for multilayer connections are supplied for pipe with thickness 2. Fittings for special not in catalogue connections on request.

AVAILABLE FOR:

ALL POLISHED
VALVES KIT

SET FOR PIPE COVERING PIPE CENTRES 50 mm

Code Nr. 5103000000057
Price € 50,40

Pipe dimension: ø 18x70 mm. - Covering dimension: 122x72 mm.

SET FOR PIPE COVERING

Code Nr. 5103000000044
Price € 23,80

Pipe dimension: ø 18x70 mm. - Covering dimension: ø 55 mm.

SPARE PART
LIQUID THERMOSTATIC HEAD - POLISHED

Code Nr. 5035270710002 - Price € 71,00

ACCESSORIES - STAINLESS STEEL RADIATORS

ELEGANT VALVES SATIN

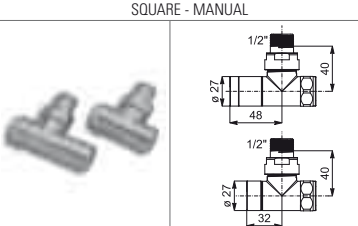
Kit valves includes:

Valves and holder – thermostatic Head (not in manual version) - Fittings for copper pipe (ø 10/12/14/15/16) or multilayer pipe (ø 14/16/18) – Couple of cover rings for copper pipe (ø 10/12/14/15/16) or multilayer pipe (ø 14/16/18) - 2 pipe covering stickers.

AVAILABLE FOR:

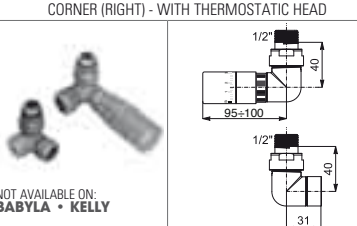
LOLA
BABYLA
RIO
RENÉE
STRADIVARI

SQUARE - MANUAL



C	Code Nr.	M	Code Nr.
Ø 10/12/14/15/16	5991990321014	Ø 14/16/18	5991990321013
Price € 150,00		Price € 141,00	
C = Copper connection • M = Multilayer connection			

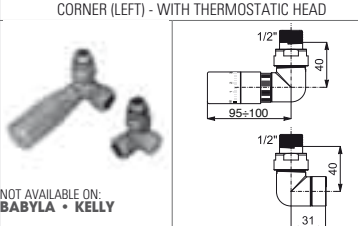
CORNER (RIGHT) - WITH THERMOSTATIC HEAD



NOT AVAILABLE ON:
BABYLA • KELLY

C	Code Nr.	M	Code Nr.
Ø 10/12/14/15/16	5991990321031	Ø 14/16/18	5991990321029
Price € 258,00		Price € 247,00	
C = Copper connection • M = Multilayer connection			

CORNER (LEFT) - WITH THERMOSTATIC HEAD



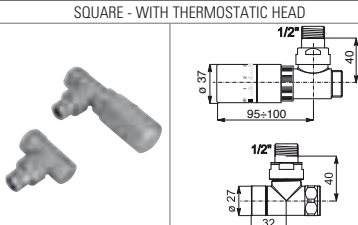
NOT AVAILABLE ON:
BABYLA • KELLY

C	Code Nr.	M	Code Nr.
Ø 10/12/14/15/16	5991990321032	Ø 14/16/18	5991990321030
Price € 258,00		Price € 247,00	
C = Copper connection • M = Multilayer connection			

AVAILABLE FOR:

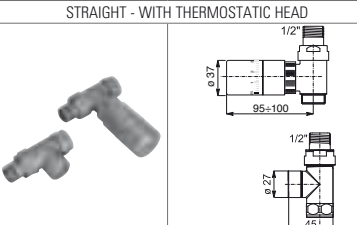
LOLA
BABYLA
KELLY
RIO
RENÉE
STRADIVARI

SQUARE - WITH THERMOSTATIC HEAD



C	Code Nr.	M	Code Nr.
Ø 10/12/14/15/16	5991990321012	Ø 14/16/18	5991990321011
Price € 246,00		Price € 238,00	
C = Copper connection • M = Multilayer connection			

STRAIGHT - WITH THERMOSTATIC HEAD

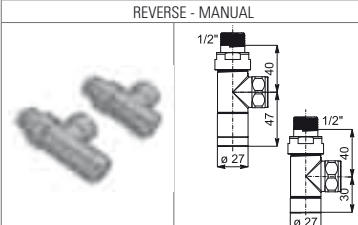


C	Code Nr.	M	Code Nr.
Ø 10/12/14/15/16	5991990321004	Ø 14/16/18	5991990321003
Price € 246,00		Price € 238,00	
C = Copper connection • M = Multilayer connection			

AVAILABLE FOR:

LOLA

REVERSE - MANUAL

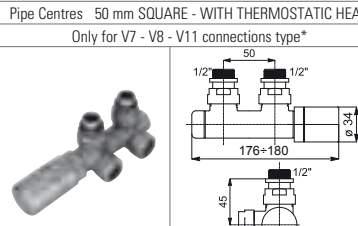


C	Code Nr.	M	Code Nr.
Ø 10/12/14/15/16	5991990321010	Ø 14/16/18	5991990321009
Price € 172,00		Price € 165,00	
C = Copper connection • M = Multilayer connection			

AVAILABLE FOR:

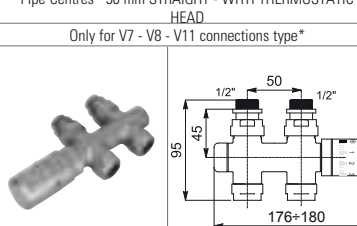
BABYLA

Pipe Centres 50 mm **SQUARE - WITH THERMOSTATIC HEAD**
Only for V7 - V8 - V11 connections type*



C	Code Nr.	M	Code Nr.
Ø 10/12/14/15/16	5991990301044	Ø 14/16/18	5991990301043
Price € 268,00		Price € 263,00	
C = Copper connection • M = Multilayer connection			

Pipe Centres 50 mm **STRAIGHT - WITH THERMOSTATIC HEAD**
Only for V7 - V8 - V11 connections type*



C	Code Nr.	M	Code Nr.
Ø 10/12/14/15/16	5991990301042	Ø 14/16/18	5991990301041
Price € 268,00		Price € 263,00	
C = Copper connection • M = Multilayer connection			

ACCESSORY
FITTINGS FOR MULTILAYER PIPE
Ø 20 X 2 FOR SATIN VALVE



Code Nr. 5006170320001
Price € 40,00

Please note:
Valves Kit for multilayer connections are supplied for pipe with thickness 2. Fittings for special connections not in catalogue on request.

AVAILABLE FOR:

ALL SATIN
VALVES KIT

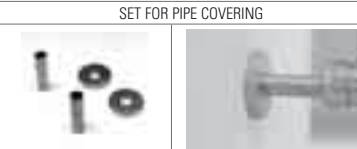
SET FOR PIPE COVERING PIPE CENTRES 50 mm



Code Nr. 5103000000058
Price € 68,00

Pipe dimension: ø 18x70 mm. - Covering dimension: 122x72 mm.

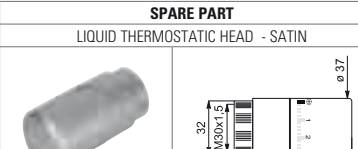
SET FOR PIPE COVERING



Code Nr. 5103000000045
Price € 25,80

Pipe dimension: ø 18x70 mm. - Covering dimension: ø 55 mm.

SPARE PART
LIQUID THERMOSTATIC HEAD - SATIN



Code Nr. 5035270710004 - Price € 94,00

ACCESSORIES - PAINTED CARBON STEEL RADIATORS

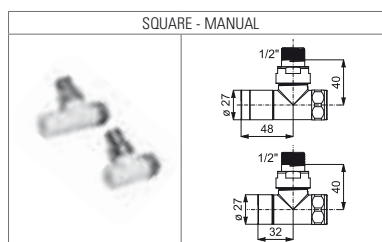
ELEGANT VALVES KIT **WHITE RAL 9010**

Kit valves includes:

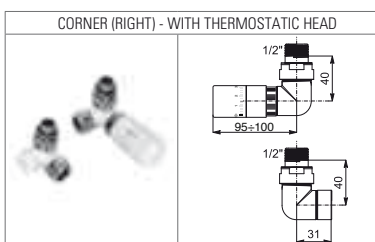
Valves and holder – thermostatic Head (not in manual version) - Fittings for copper pipe (ø 10/12/14/15/16) or multilayer pipe (ø 14/16/18) – Couple of cover rings for copper pipe (ø 10/12/14/15/16) or multilayer pipe (ø 14/16/18) - 2 pipe covering stickers.

AVAILABLE FOR:

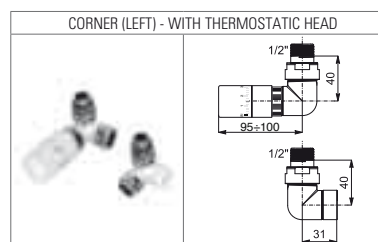
ALL PAINTED CARBON
STEEL RADIATORS



C	Code Nr.	M	Code Nr.
Ø 10/12/14/15/16	5991990311006	Ø 14/16/18	5991990311005
Price € 104,00		Price € 106,00	
C = Copper connection • M = Multilayer connection			



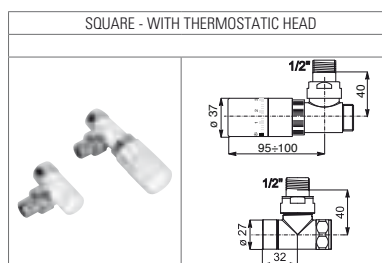
C	Code Nr.	M	Code Nr.
Ø 10/12/14/15/16	5991990311076	Ø 14/16/18	5991990311074
Price € 184,00		Price € 180,00	
C = Copper connection • M = Multilayer connection			



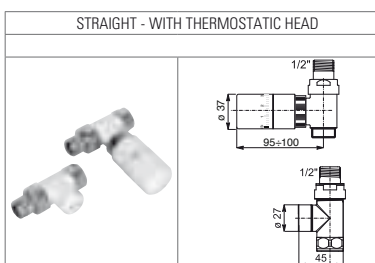
C	Code Nr.	M	Code Nr.
Ø 10/12/14/15/16	5991990311077	Ø 14/16/18	5991990311075
Price € 184,00		Price € 180,00	
C = Copper connection • M = Multilayer connection			

AVAILABLE FOR:

ALL PAINTED CARBON
STEEL RADIATORS



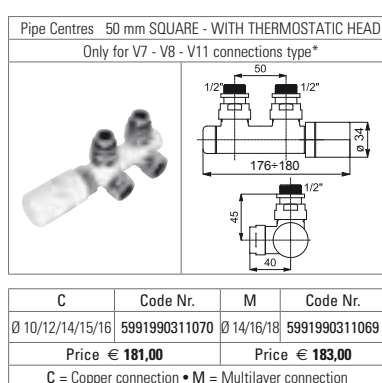
C	Code Nr.	M	Code Nr.
Ø 10/12/14/15/16	5991990311066	Ø 14/16/18	5991990311065
Price € 169,00		Price € 171,00	
C = Copper connection • M = Multilayer connection			



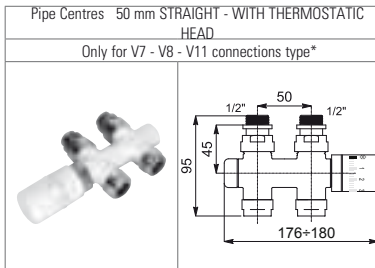
C	Code Nr.	M	Code Nr.
Ø 10/12/14/15/16	5991990311068	Ø 14/16/18	5991990311067
Price € 169,00		Price € 171,00	
C = Copper connection • M = Multilayer connection			

AVAILABLE FOR:

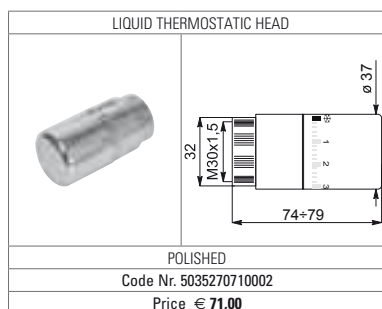
FRAME
Pipe Centres 50
FRAME PLUS
Pipe Centres 50
ROSY GRAPHIC
Pipe Centres 50
ROSY GRAPHIC
TANDEM
Pipe Centres 50
ROSY GRAPHIC
MAX
Pipe Centres 50
GROOVE®
ROADS®



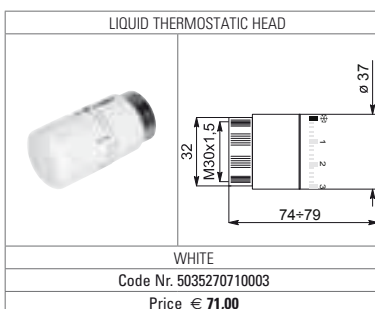
C	Code Nr.	M	Code Nr.
Ø 10/12/14/15/16	5991990311070	Ø 14/16/18	5991990311069
Price € 181,00		Price € 183,00	
C = Copper connection • M = Multilayer connection			



C	Code Nr.	M	Code Nr.
Ø 10/12/14/15/16	5991990311072	Ø 14/16/18	5991990311071
Price € 181,00		Price € 183,00	
C = Copper connection • M = Multilayer connection			



Code Nr.	Price
POLISHED Code Nr. 5035270710002	Price € 71,00



Code Nr.	Price
WHITE Code Nr. 5035270710003	Price € 71,00



Code Nr.	Price
ACCESSORY FITTINGS FOR MULTILAYER PIPE Ø 20 X 2 FOR COLOURED VALVE Code Nr. 5006170050051	Price € 40,00

Please note:
Valves Kit for multilayer connections are supplied for pipe with thickness 2. Fittings for special connections not in catalogue on request.

HOOKS AND HANGERS

POLISHED STAINLESS STEEL • SATIN STAINLESS STEEL

LOLA - LOLA DECOR

POLISHED STAINLESS STEEL



KIT 2 HOOKS
Ø 20 mm **POLISHED STAINLESS STEEL**

Price € **88,10**
Code Nr. 5991990010223

LOLA

SATIN STAINLESS STEEL



KIT 2 HOOKS
Ø 20 mm **SATIN STAINLESS STEEL**

Price € **109,70**
Code Nr. 5991990010224

BABYLA

POLISHED STAINLESS STEEL



KIT 2 HOOKS
Ø 20 mm **POLISHED STAINLESS STEEL**

Price € **88,10**
Code Nr. 5991990010223

BABYLA

SATIN STAINLESS STEEL



KIT 2 HOOKS
Ø 20 mm **SATIN STAINLESS STEEL**

Price € **109,70**
Code Nr. 5991990010224

STRADIVARI

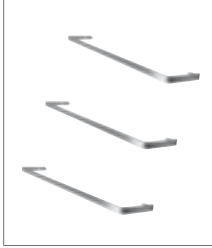
SATIN STAINLESS STEEL



STRAIGHT HANGER **SATIN STAINLESS STEEL**
(L= 420 mm)

Price € **225,00**
Code Nr. 5991990010159

FRAME - FRAME PLUS



KIT 3 STRAIGHT HANGERS **SATIN STAINLESS STEEL**

(L= 516 mm)
Price € **431,00**
Code Nr. 5991990310241

(L= 628 mm)
Price € **452,00**
Code Nr. 5991990310242

FRAME - FRAME PLUS

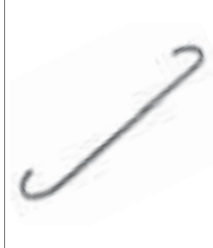


STRAIGHT HANGER **SATIN STAINLESS STEEL**

(L= 516 mm)
Price € **172,00**
Code Nr. 5991990010208

(L= 628 mm)
Price € **182,00**
Code Nr. 5991990010209

BADGE®



HANGER
POLISHED STAINLESS STEEL
(L= 570 mm)

Price € **111,00**
Code Nr. 5991990310240

Available only on BADGE® H. 1755 x L.512 mm and BADGE® ELECTRIC

KIT ELITE SATIN (ONLY FOR BABYLA H 1500) Price € 1.099,00 Code Nr. 5102000000104						
	N° 1 Mirror Price € 297,00 Code Nr. 5991990000006	N° 1 Shelf for books Price € 143,90 Code Nr. 5991990010055	N° 1 Elegant square satin valve kit Pipe Centres 50 mm with thermostatic head (See page 158)	N° 2 hooks satin stainless steel ø 20 mm Price € 109,70 Code Nr. 5991990010007	N° 3 Shelves (2 on the left, 1 on the right) Price € 92,50 (cad.) Code Nr. 5991990010021 - sx Code Nr. 5991990010022 - dx	N° 1 Antenna for hanging clothes Price € 113,90 Code Nr. 5991990000005

SPARE PARTS • FIXING KIT

POLISHED STAINLESS STEEL RADIATORS • SATIN STAINLESS STEEL RADIATORS

POLISHED STAINLESS STEEL



AVAILABLE FOR:	Code Nr.	Price €
LOLA HOR - Vt	5102000000409	72,00
LOLA DECOR HOR -Vt		
BABYLA	5102000000412	57,00
KELLY	5102000000414	85,00

SATIN STAINLESS STEEL



AVAILABLE FOR:	Code Nr.	Price €
LOLA HOR - Vt	5102000000405	63,00
LOLA DECOR HOR -Vt		
BABYLA	5102000000423	48,00

PAINTED CARBON STEEL RADIATORS



AVAILABLE FOR:	Code Nr.	Price €
ROSY GRAPHIC HORIZONTAL	5102000000422	48,00



AVAILABLE FOR:	Code Nr.	Price €
ROSY GRAPHIC Vt	5102000000169	88,00
ROSY GRAPHIC TANDEM Vt	5102000000169	88,00
ROSY PICTURE Vt	5102000000169	88,00

AVAILABLE FOR:	Code Nr.	Price €
FRAME	5102000000415	48,00

AVAILABLE FOR:	Code Nr.	Price €
FRAME PLUS	5102000000318	80,00



AVAILABLE FOR:	Code Nr.	Price €
ROSY GRAPHIC TANDEM HOR	5102000000046	90,00



AVAILABLE FOR:	Code Nr.	Price €
MOVIE®	5102000000265	86,00

AVAILABLE FOR:	Code Nr.	Price €
HAND® CONTROL	5102000000264	70,00

AVAILABLE FOR:	Code Nr.	Price €
BADGE® CONTROL	5102000000263	86,00

AVAILABLE FOR:	Code Nr.	Price €
JUNGLE® CONTROL	5102000000263	86,00

AVAILABLE FOR:	Code Nr.	Price €
GIULY®	5102000000263	86,00

Code Nr. are referred to colour WHITE R01 - RAL 9010 version. Available also coloured with surcharge - see page 174.

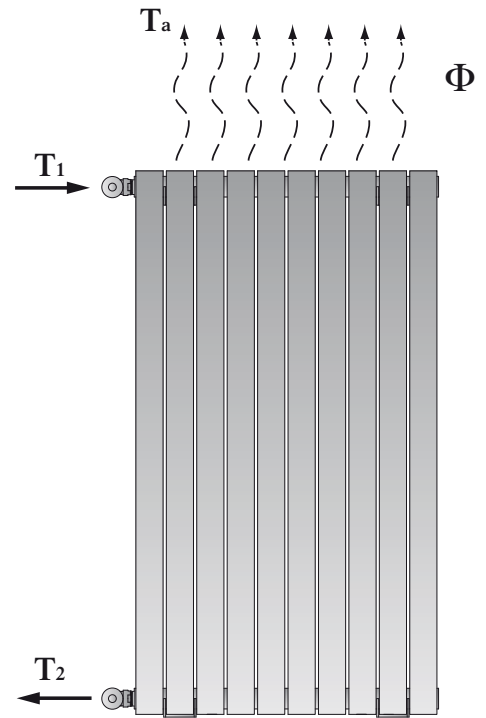
TECHNICAL FORMULAS FOR PROFESSIONALS

THERMAL OUTPUT

The power of a radiator to exchange heating in the room where it is installed depends on many factors: shape, size, installation type...and so on, and from a pure technical point of view, from the difference between its temperature and the air temperature around it.

It is known in physics that heating is transmitted spontaneously from a hot body to a cold body and this heating transmission is as big as the difference in temperature between the two bodies. In order to have comparable data between radiators thermal output, it is necessary to established the difference in temperature between the radiator and the environment in which it has been fitted.

On this regard, EN 442 European directive refers to the temperature difference between the average hot water temperature inside the radiator and the room temperature where the radiator is fitted.



T_1 = delivery temperature

T_2 = back flow temperature

T_a = room temperature

$$\Delta T = \left(\frac{T_1 + T_2}{2} \right) - T_a$$

A titolo di esempio se:

$T_1 = 75^\circ\text{C}$

$T_2 = 65^\circ\text{C}$

$T_a = 20^\circ\text{C}$

$$\Delta T = \left(\frac{75 + 65}{2} \right) - 20 = 50^\circ\text{C}$$

ΔT it is established at 50°C and the radiator thermal output has to be determined by authorised laboratories according standard procedures, defined by the European directive. As a consequence:

$$\Phi = K_M * \Delta T^n \quad [\text{W}]$$

That it is called "Heating Body Typical Equation". Such equation allows to calculate the radiator thermal output according to whatever ΔT . In such cases, the radiator thermal output at a different ΔT than 50°C , it is calculated as follows:

$$\Phi_{\Delta T} = K_M * \Delta T^n \qquad \Phi_{\Delta T} = \frac{\Phi_{50}}{50^n} * \Delta T^n$$

To be precise, the directive states that it is necessary to refer to the arithmetic temperature difference (ΔT above established) if as it happens in most cases the relation

$$\mu = \frac{T_2 - T_a}{T_1 - T_a}$$

It is bigger or equal to 0.7. If the radiator is functioning with low water temperature or big temperature drops, the relations μ is lower than 0.7. In this case, it is necessary to change to the above stated relation the "temperature arithmetic difference" with the "temperature logarithmic difference", defined below:

$$\Delta T = \left(\frac{T_1 - T_2}{\ln \frac{T_1 - T_a}{T_2 - T_a}} \right)$$

Example

If the nominal thermal output of one radiator stated in the catalogue is:

$$\Phi = 430[W] = 369,8[KCal/h]$$

and typical equation defined as:

$$\Phi = 3,2967 * \Delta T^{1,2451}$$

and if we assume to make the radiator functioning at $\Delta T = 60\text{ }^\circ\text{C}$ we obtain:

$$\Phi = 3,2967 * 60^{1,2451} = 539,6[W] \Rightarrow 539,6 * 0,860 = 464[KCal/h]$$

It is possible to state then, that going from $\Delta T = 50$ to $\Delta T = 60$ the radiator thermal output rise of 25,5%.
 If we think to make functioning the same radiator according to the below conditions:

$$T_1 = 55\text{ }^\circ\text{C} \qquad T_2 = 35\text{ }^\circ\text{C} \qquad T_a = 20\text{ }^\circ\text{C}$$

$$\mu = \frac{35-20}{55-20} = 0,429 < 0,7 \quad \text{et} \quad \Delta T = \left(\frac{T_1 - T_2}{\ln \frac{T_1 - T_a}{T_2 - T_a}} \right) = \left(\frac{55 - 35}{\ln \frac{55 - 20}{35 - 20}} \right) = 23,6\text{ }^\circ\text{C}$$

Applying the above procedure, the thermal output $\Delta T = 23,6\text{ }^\circ\text{C}$ it is equal to:

$$\Phi = 3,2967 * 23,6^{1,2451} = 168,8[W] \Rightarrow 168,8 * 0,860 = 142,2[KCal/h]$$

We remind that in order to have the thermal output express in Kcal/h, it is necessary to multiply the value in Watts x 0.860.

OUTPUT CALCULATION AT DIFFERENT DELTA T

In order to satisfy the increasing exigent demands coming from architects and designer, Cordivari Design has developed a software that with few and easy steps allows you to choose the right radiators and the right needed power.

This includes also the possibility to calculate the needed output at different Delta T than 50

The Cd also includes the radiators .3ds, .dwg, .dxf technical drawings suitable to be used with design software programmes, and the Cordivari Design catalogue in pdf version for an immediate and easy consultation.

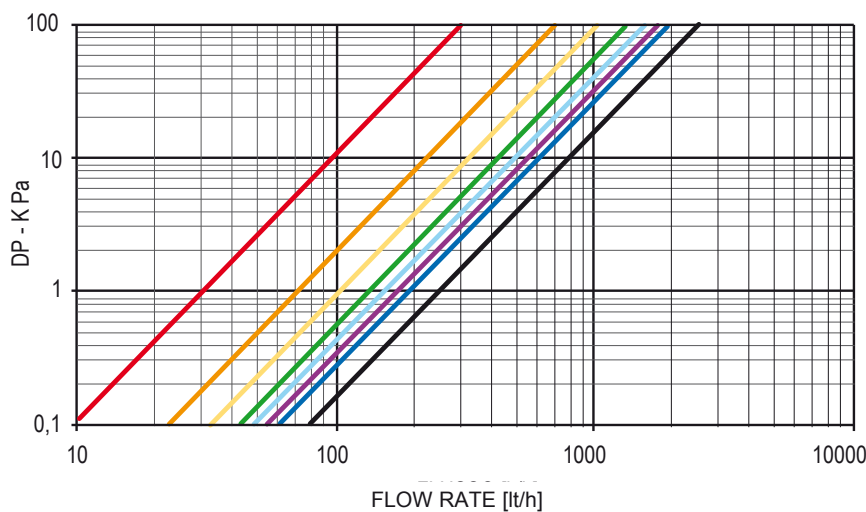
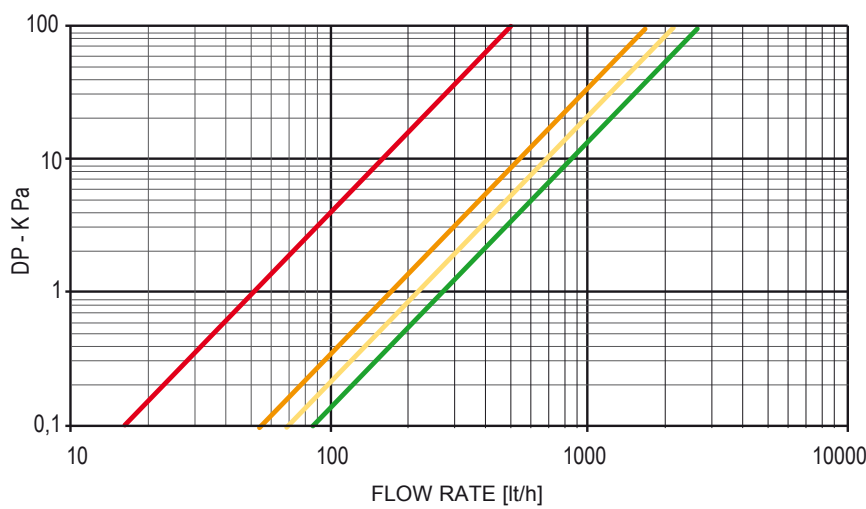
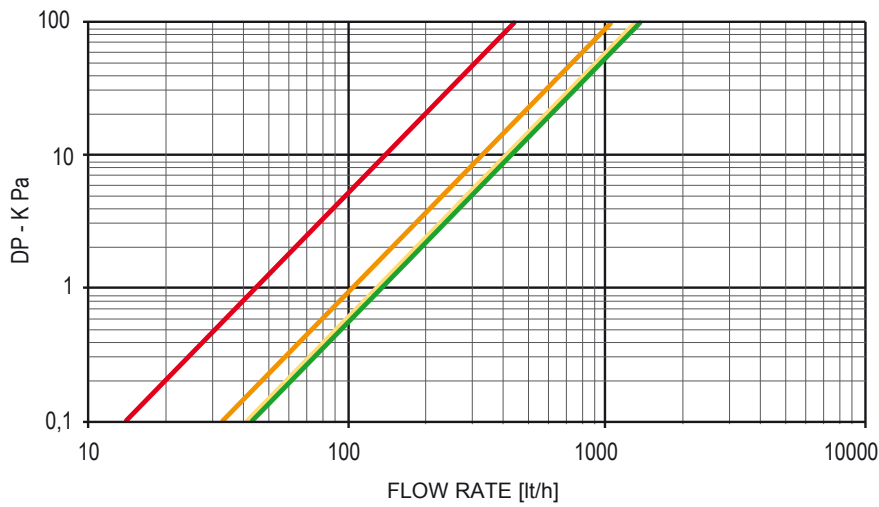
In our website www.cordivaridesign.com, you can calculate the ideal thermal efficiency of your chosen radiators according to your heating system or download the latest version of the software in the download area

TECHNICAL SUPPORT

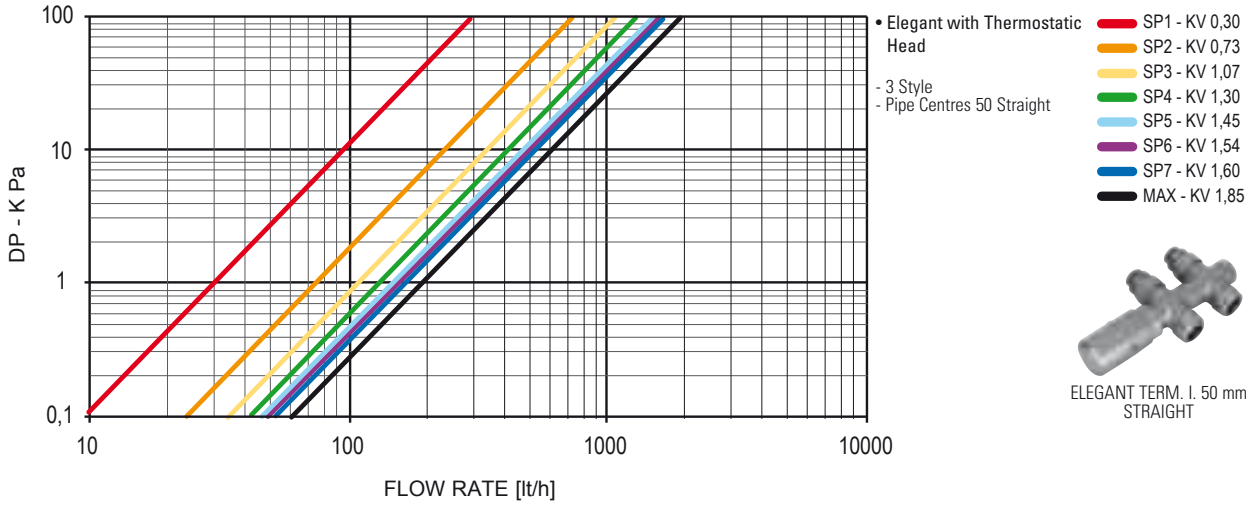
ELEGANT VALVES FLOW RESISTANCE

The following diagrams allow to calculate Cordivari valves flow resistance. The flow resistance is defined as the drop in pressure (express ed in KPa) that happened inside the valve due to the water (express in l/h) passing by.

Coefficient Kv, on the below diagrams, states the flow rate in m3/h that is passing by the valve, with a pressure difference of 1 bar.



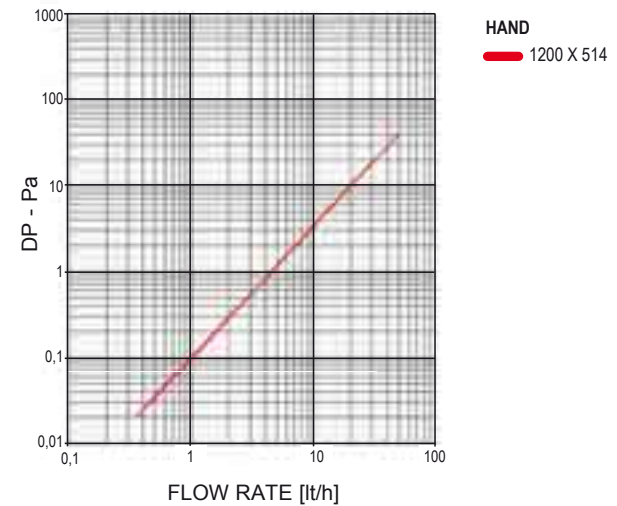
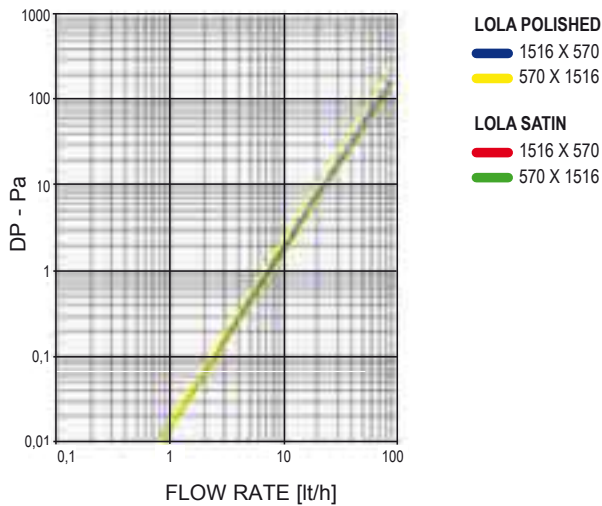
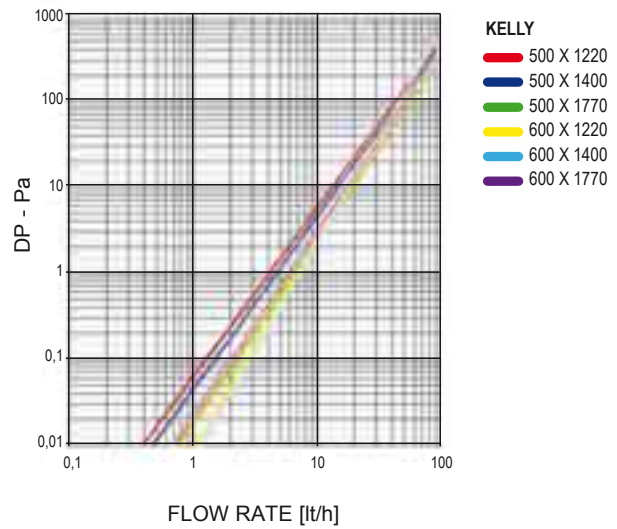
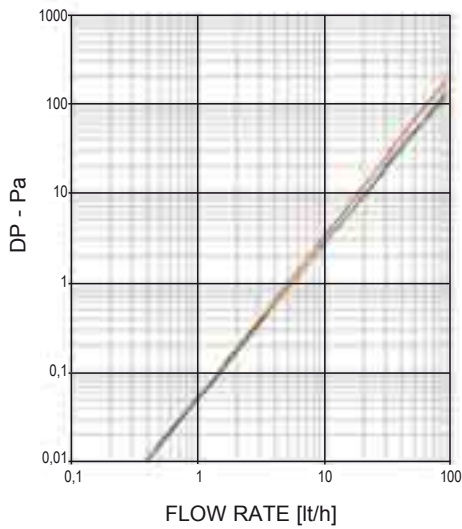
The different coloured line indicate different opening levels of the thermostatic head.



CORDIVARI RADIATORS FLOW RESISTANCE

Below, it is reported the flow resistance diagram for some Cordivari Design radiator.

From the diagram we can see that radiators' flows rate are marginal compared to the general heating system ones.



PRODUCTS CERTIFICATES

PAINTING PROCESS CERTIFICATATION ACCORDING TO DIN 55900-1, -2



IGE
Institut für
GebäudeEnergetik

Lehrstuhl für
Heiz- und Raumlufttechnik

**Bericht über die
Beschichtung für Raumheizkörper
gemäß DIN 55900-1, 55900-2**

No.: H.0806.1.524.COR

Der Inspektionsbericht umfasst 3 Seiten

1. Ausfertigung




Der Bericht darf ohne schriftliche Genehmigung der Prüf- und Inspektionsstelle nur in vollem Umfang vervielfältigt werden.

Das Institut für Gebäudeenergetik (IGE) ist ein vom DAR nach ISO/IEC 17025 akkreditiertes sowie von der DIN CERTCO anerkanntes Prüflaboratorium.

Weiterhin ist das IGE eine nach ISO/IEC 17020 akkreditierte Inspektionsstelle.

Seite 1/3
Page




IGE
Institut für
GebäudeEnergetik

Nr. / No.: H.0806.1.524.COR

<p>1 Prüf- und Inspektionsstelle Laboratory</p> <p>2 Vertragspartner Contracting partner</p> <p>3 Quellenangaben References</p> <p>4 Hersteller Manufacturer</p> <p>5 Ort und Datum der Inspektion Place and date</p> <p>6 Auftrag Application</p> <p>11 Festgestellte Abweichungen zur Norm- Konformität Non-conformities</p>	<p>Universität Stuttgart, Institut für GebäudeEnergetik, Pfaffenwaldring 35 / 6A 70569 Stuttgart Germany +49 (0)711 685 - 62061</p> <p>Cordivari S.r.l. Zona Industriale Pagliare 64020 Morro d'Oro (TE) Italien</p> <p>DIN 55900-1, Mai 2002 DIN 55900-2, Mai 2002</p> <p>Cordivari S.r.l. Zona Industriale Pagliare 64020 Morro d'Oro (TE) Italien</p> <p>Stuttgart, 2008-08-04</p> <p>Überprüfung der Dokumente zur Einhal- tung der Deutschen Norm für die Be- schichtung für Raumheizkörper“, gemäß DIN 55900-1, -2.</p> <p>Keine Abweichungen</p>
--	--


Stuttgart, 2008-08-04



**Institut für
GebäudeEnergetik
Universität Stuttgart**
Pfaffenwaldring 35 70569 Stuttgart
+49(0)711-685-62061 | Fax: +49(0)711-6870556
www.ige.uni-stuttgart.de

Prof. Dr.-Ing. M. Schmidt J. Stimpel

Seite 2/3
Page



IGE
Institut für
GebäudeEnergetik

Bewertende Zusammenfassung der Inspektion
Final summary table

Datum Date	Serien Nr. Serial No.	Titel Subject	Ja Yes	Nein No	Bemerkungen Notes
04-08-2008		Art und Bezeichnung des Grundbeschichtungstoffes oder der Grundbeschichtung;	X		
13-01-2006	10272324	Werkstoff, Oberflächenbeschaffenheit und Vorbehandlung des Untergrundes;	X		
13-01-2006	10272324	Art und Bezeichnung des Deckbeschichtungstoffes oder der Fertiglackierung;	X		
04-08-2008		Werkstoff, Oberflächenbeschaffenheit und Vorbehandlung des Untergrundes, wenn vorhanden Grundbeschichtung;	X		
13-01-2006	10272324	Verarbeitungsweise des Beschichtungstoffes;	X		
04-08-2008		Trocknungs- und Härtingsbedingungen der Beschichtung;	X		
13-01-2006	10272324	Schichtdicke der Beschichtung;	X		
23-07-2008		Anlieferungsdatum der Raumheizkörper bei Prüfung fertiglackierter Raumheizkörper;	X		
09-11-2005	779478/501/140	Feuchtigkeits- und Gitterschnittprüfung	X		

Seite 3/3
Page

Test report

Test report from Laboratory HLK (University of Stuttgart) according to DIN 55900-1, 55900-2.

COMPANY SYSTEM CERTIFICATES



ENVIRONMENT SYSTEM CERTIFICATE UNI EN ISO 14001:2004



QUALITY SYSTEM CERTIFICATE UNI EN ISO 9001:2008

Cordivari has always had among its goals:

- Continual improvement of its products
- Minimal environmental impacts
- Achievement of total quality

Cordivari worked out in order to obtain the most important certifications showing the company engagement in front of its internal system and external environment.

CE RADIATORS MARK

CE radiators mark: main features

CE mark of radiators is the compliance to the minimal security requirements of European Directive of Standard 89/106/CEE and to the relevant EN 442-1-2-3. The CE mark for radiators is compulsory since 01/12/2005.

The main features and tests are:

- Thermal output with relevant heat loss and characteristic formula tested by a certified laboratory as CETIAT, MRT and HLK.
- Conformity to the directive 76/769/CEE regulating the use of dangerous substances during painting process.
- Fire resistance according to EN 13501-1
- Corrosion resistance, endurance in humid atmosphere (min. 100 hours)
- Pressure test

The symbol of CE mark, in conformity to the directive 93/68/CEE, together to other technical information, is applied on the product and on its packaging.

Main Standards regulating the construction of design radiators

UNI EN 442-1:2004

Radiators and convectors – Part 1 : Technical specifications and requirements.

UNI EN 442-2:2004

Radiators and convectors – Part 2: Test and evaluation methods.

UNI EN 442-3:2004

Radiators and convectors – Part 3: conformity evaluation.

UNI EN 13501-1:2009

Fire class of products and construction parts.

CPR 305/2011

Regulation (EU) No 305/2011 of the European Parliament and of the Council of 9 March 2011 laying down harmonised conditions for the marketing of construction products and repealing Council Directive 89/106/EEC

76/769/CEE

Directive on use and market of some dangerous substances.

93/68/CEE

CE mark.

DESIGN HISTORY

AWARDS AND PRIZES RECEIVED DURING THE YEARS FROM CORDIVARI RADIATORS - MILESTONES IN A CONTINUOUS SINERGY BETWEEN FUNCTIONALITY AND STYLE.

- 1991:** Elen, the first design radiator made in stainless steel, was realized
- 1995:** Elen protagonist of Cersaie exhibition - Bologna
- 2001:** Collezione Inox range was created. Foglia® won the *I.D. Magazine Annual Design Review award*, New York
- 2004:** Stradivari was selected for the event *Casanova Room Number 3* (concept Luca Scacchetti), Abitare il Tempo – Verona
- 2004:** Tam Tam was selected for *I.DoT - Italian Design on Tour award*
- 2005:** Stradivari at FuoriSalone *Texture & Materials* (concept Carlo Colombo), Superstudiopiù - Milan
- 2006:** ExtraSlim range was created. Badge® was exhibited in the exclusive setting *Sim.Home* (concept Simone Micheli), Abitare il Tempo - Verona
- 2007:** Badge® protagonist of the exhibition *SiMaison* (concept Simone Micheli), Salon Futur Intérieur - Paris
- 2007:** Badge® won *Design Plus*, Frankfurt
- 2008:** Movie® and Hand® radiators selected for *Comfort & Design Award*, Milan
- 2008:** Badge® won *Comfort & Design Award*, Milan
- 2008:** Nomination of Badge® for the *Idéo Bain Prix du Design award*, Paris
- 2008:** Badge® arrived in Brazil: exhibition at the *Museum Mube*, Sao Paulo
- 2008:** Rio® protagonist of *D come design Award* (concept Luisa Bocchietto), Torino World Design Capital '08
- 2008:** Exhibition of the Badge® at *Domestic Campus* (concept Simone Micheli), Abitare il Tempo - Verona
- 2008:** Lola awarded the *Gold Villa Award*, Poland
- 2009:** Badge® goes to *Mexico: La Casa Italiana in Messico* (concept Simone Micheli), Museo de Guadalajara, Mexico
- 2009:** Cordivari protagonist of FuoriSalone *Interni Design Energies*, Milan
- 2010:** Jungle® e Badge® exposed in spectacular *Mücsarnok Art Gallery*, Budapest
- 2010:** Movie®, Lola Decor and Badge® in three-dimensional version during the event *Showroom Stereo 3D*, Milan
- 2010:** Badge® Led won *Lazienka Award*, Poland
- 2010:** Rosy Picture® won the selection of *Bathroom of Dreams*, Czech Republic
- 2010:** Blow® launched from designer Jean-Marie Massaud during CERSAIE exhibition at Cordivari Design stand
- 2011:** Badge® Led exposed in *Jo House event (AbitaMi)* during Salone Internazionale della Casa - MACEF, Milano
- 2011:** Bridge® and Raising® exposed at *Open Art Office* (concept Mariano Moroni), sponsored by A.M.A.C.I. (Italian Association of Contemporary Art Museum)
- 2012:** Blow® won Reddot Design Award Best of the Best category heating radiator
- 2013:** Nomination by German Design Council of Blow® at the German Design Award
- 2014:** Giuly® won IF - Product Design Award

DESIGN HISTORY



RAISING®

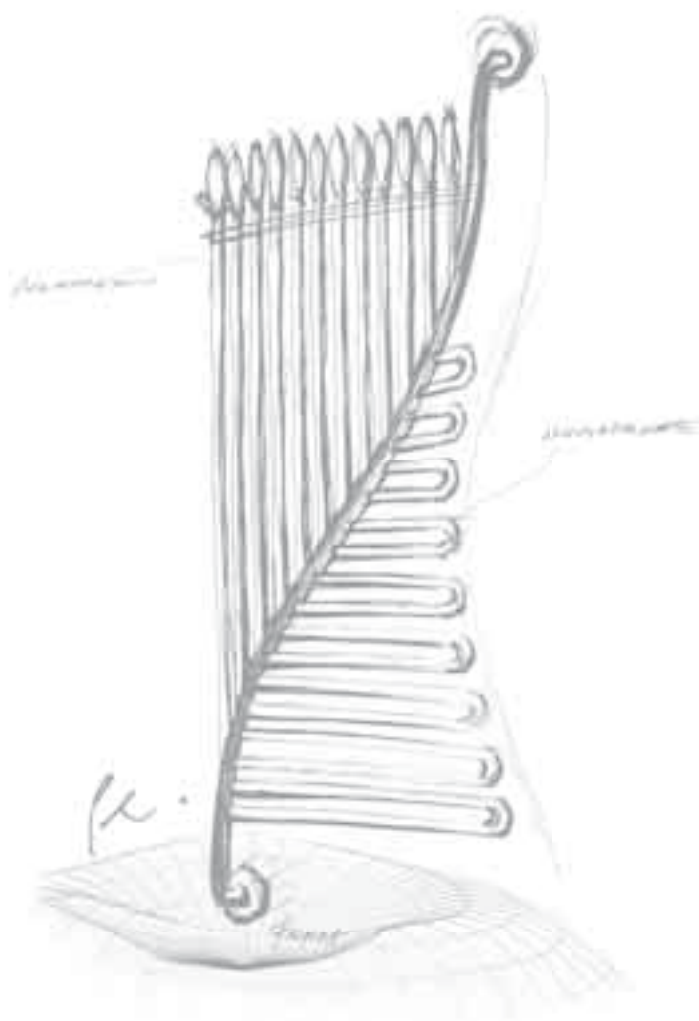
Design di Mariano Moroni

OPEN ART/OFFICE

Promoted by "A.M.A.C.I." Associazione Musei d'Arte Contemporanea Italiani

Raising®, free-standing Model that frees the radiator from the traditional position on the wall and combines the function of the radiator with the one of floor lighting.

AVAILABLE ON REQUEST



FOGLIA®

Design Paola Pinnavaia

DESIGN DISTINCTION Award 2001
I.D. Review, New York

Foglia® born in 1999 it is the first design heating element, where the sinuous shape meet stainless steel's strength.

AVAILABLE ON REQUEST

DESIGNERS



Jean-Marie Massaud

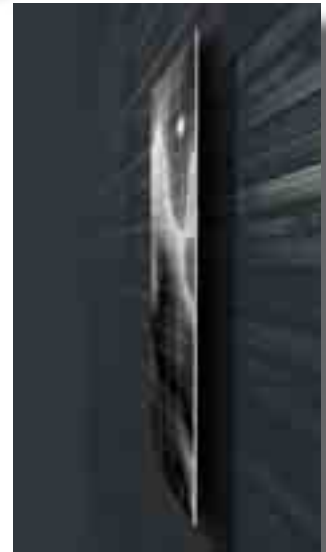
Graduated from the ENSCI in 1990, Jean-Marie Massaud has run a quest for synthesis, reduction and lightness since his first intuitions. He has been working all kind of design fields, from furniture to industrial product and equipment. In 2000, he founds Studio Massaud and expands his expertise to architecture and brand development.

He collaborates with various brands such as B&B Italia, Axor Hansgrohe, Dedon, Lancôme or Renault. Denying trend and fashion, Jean-Marie prefers questioning the existing, working out on progress and eventually proposing answers to contemporary stakes. It is this symbiosis between Man, his creations and his natural environment, that Jean Marie Massaud strives to reach, as a catalyst to innovation, as an economic model and as a life project.

For Cordivari he projected Blow® radiator's design.



reddot design award
best of the best 2012



Mariano Moroni

Architect, Artist and Designer. He was born in 1954 in Nereto (Teramo)

After Artistic High School he graduated in architecture, and was licensed by Politecnico in Milan. Starting from 70s he attended to many Exhibitions and Fairs in Italy and abroad

He has a wide-ranging and versatile mind, and he is involved in many creative activities from painting to architecture, from urban activity to graphic and design.

In 1999 he took part to a movie whose theme was rural architecture. His artworks are shown in public and private structures.

Cooperating with Cordivari, with mutual respect and estimation, he created Movie®, Renèe®, Jungle®, Raising®, Bridge®, Roads®, Roads® STF, Groove® e Giuly®.



DESIGNERS



Paola Pinnavaia was graduated at ISIA in Rome and she won European Design Award. She worked as industrial designer for Texas Instruments in Nice, Tokyo and Dallas. In 1994 she founded Studio ONdesign in Rome, putting at industries disposal her creativity, innovation, and methodological experiences. She made Design being the propulsive heart of the industry. She cooperated with many prestigious international companies. She designed for Cordivari Rio® and Foglia® (winner of 2001 I.D. Award review Magazine, New York)



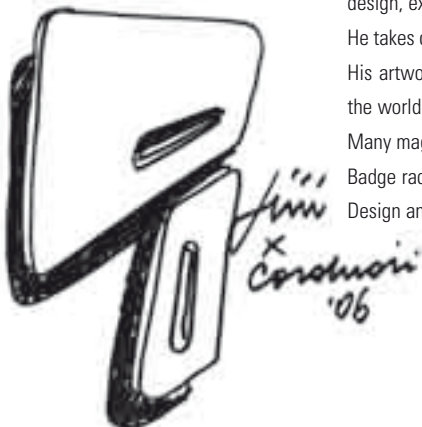
Paola Pinnavaia



Luca Scacchetti was born in Milan in 1952. In 1975 he graduated in Architecture at Milan Politecnico University. Since 1976 he's teaching Architectonic Composition and since 1987 he's teaching Architectonic Projects at Architecture Department – European Design Institute in Milan. He is also teaching Architectural elements and Urbanistic at Artistic Accademy in Brera and at Design Department -Politecnico in Milan. He is cooperating in Design with many important Italian and foreign furniture, lighting and gifts industries. For Cordivari he created Stradivari radiator.



Luca Scacchetti



Professor at University, he founded in 1990 Architecture Studio and in 1993 the Project Company «Simone Micheli Architectural Hero». His architectural jobs, contract, interior design, exhibit, graphic and communication are linked to sensorial world. He takes care of the most important exhibiting event and most qualified international Fair. His artworks are shown at the most important architectural and design Show all over the world. Many magazines are writing about his job. Badge radiator, he created for Cordivari, was awarded with Design Plus, with Confort & Design and had the nomination at Ideo Bain Award.



Simone Micheli

COLOURS

GLOSSY +30%
 MATT +30%
 SPECIAL FINISHING +30%
 MELANGE +30%
 WAVY +30%

STANDARD

ON DEMAND
 WITHOUT
 SURCHARGE

Glossy



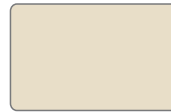
RAL 9010 - R01
Pure White



RAL 9016 - R02
Traffic White



RAL 9001 - R14
Cream



S20
Jasmine



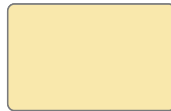
S03
Pergamon



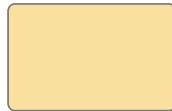
S16
Canary



S10
Anemone



H16
Egg Elip



S12
Vanilla



H21
Lemon



RAL 1021 - R05
Yellow Rape



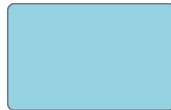
RAL 1004 - R06
Gold



H36
White Mint



H04
Ice



H40
Brook



H42
Blue Grotto



H09
Lake



RAL 5012 - R17
Light Blue



RAL 5015 - R11
Blue Sky



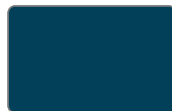
RAL 5017 - R18
Overseas Blue



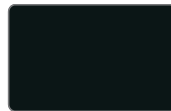
RAL 5022 - R19
Blue Night



RAL 5002 - R12
Blue Ultramarine



RAL 5001 - R28
Blue Mix



RAL 9005 - R13
Jet Black



H56
Lavic Stone



H24
Mango



H25
Tangerine



RAL 2004 - R16
Pure Orange



H26
Papaya



H27
Bright Red



RAL 3000 - R07
Fire Red



RAL 3003 - R08
Ruby Red



H06
Plum



RAL 4008 - R25
Purple



H53
Bright Lilac



H52
Muscat



H55
Pink Panther



S13
Light Pink



RAL 6019 - R26
Light Green



H29
Electric Green



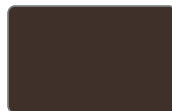
H32
Green Oil



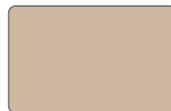
H30
Green Apple



RAL 6002 - R20
Green Leaf



RAL 8017 - R09
Dark Brown



S17
Bahama Beige



H48
Dove



S07
Graphite



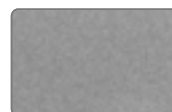
RAL 7030 - R22
Stone Grey



S02
Manhattan



RAL 7001 - R21
Silver Grey



R27
Metal Grey

Matt



T01
Matt Black

T02
Matt Red

T03
Matt Green

T04
Matt Yellow

T05
Matt Purple

T06
Matt Lilac



T07
Matt Blue



T08
Matt Azure



T09
Matt Gold



T10
Matt Beige



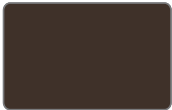
T11
Matt White



T12
Matt Light Grey



T13
Matt Grey



T14
Matt Brown

Special Finishing



F06
Metal Rough Black

F15
Metal Sparkling Black

F04
Graphite Grey

F03
Metal Antracite

F09
Metal Sunrise Grey

F07
Silver Effect



F20
Milky



F18
Platinum



F22
Classic Gold



F14
Old Bronze Effect

Melange



M01
Gold Black

M02
Black Brown

M04
Black Silver 2

M06
Gold White

Wavy



W01
Notturmo

W02
Carbon

W03
Dolomite

W04
Smoke

W05
Snowflake

Please refer to Cordivari Colours chart, in order to see the real colour.

GENERAL SALES CONDITIONS AND WARRANTY

Sales of Cordivari's products are made according to the conditions listed below. Exceptions should be accorded written by Cordivari Srl.

1. Shipment

Goods are transported at buyer's risk and peril, even if they are shipped free of carriage. Goods have to be checked at the delivery about unaltered packaging, missing or confused products in the presence of the forwarder. Any claim has to be immediately communicated to the forwarder by appointing the shipment's document and by registered mail within 3 days from receipt of the goods (otherwise Cordivari Srl is cleared of his responsibilities).

2. Delivery terms

Delivery terms are indicative. Failure to comply with the agreed delivery terms for any reasons will not entitle the buyer to any compensation, cancellation or modification of the order without our prior consent. In case of strikes, lack in raw materials, or any other Act of God, Cordivari Srl reserves the right to decide proper countermeasures; in this case Cordivari Srl should be considered exempted from any responsibility. Shall ordered goods not be collected within agreed date, the same will be invoiced and stored with risks and costs charged to the customer.

3. Dry Weight, measures, surfaces

Dry Weights, measures, surfaces, shapes, sizes, images and other figures related to the products are merely indicative and Cordivari Srl may at any time modify them.

4. Order cancellation or modification

All orders are valid only if accepted in written form by Cordivari Srl.

No orders shall be cancelled even partially without the consent of Cordivari Srl. It will not be possible to modify the order when the production has already started. Some cost due to the modifications or cancellation will be charge to the buyer.

5. Radiators/Accessories Warranty on construction defects

For all the Stainless Steel design radiators (excluding model Blow[®], Frame and Frame Plus), Cordivari Srl offers a 15 years warranty, if radiators are installed in closed heating system.

For carbon steel radiators and brass radiator, hot water and electric version (including model Blow[®], Frame and Frame Plus), for the accessories and for all the other items not listed in sales conditions, Cordivari Srl offers a 2 years warranty according to the national law following the directive for warranties 1999/44/CE, only if radiators are installed in closed heating system.

No warranty will be offered if radiators, both stainless steel, carbon steel, and brass radiator are installed in sanitary system.

- The warranty period starts with the date of the delivery of the material and this warranty is invalidated if the code of the radiator with the date is removed or modified.
- Warranty is only valid if Cordivari S.r.l. is notified by registered mail about the fault within 8 days since delivery.
- Warranty will take effect after having examined the defects and their causes in the Cordivari plant.
- The materials that have to be replaced or repaired must be shipped free of carriage to the Cordivari plant.

Warranty will be applicable at the following conditions:

- materials must have been stored in good conditions and protected from the inclemency of the weather before installation;
- radiator did not have damages during transport, handling or installation;
- no alterations or reparations must be done without the prior consent of the seller;
- the buyer must have paid all the bills within the pre-established deadlines;
- if for cleaning none of those aggressive, corrosive, substances not suitable for radiators material have been used;
- the installation must have been done by professionals and in conformity with all instructions and standards written on the technical data sheets provided by Cordivari S.r.l.;
- no periodical emptying of the system must have taken place;
- no aggressive chemical substances must have been added to the water of the system
- the working pressure and temperature shown in the catalogue must correspond to the current usage pressure and temperature;
- the caps and accessories used must be original Cordivari materials;
- radiator has not been connected to a system with open expansion tank;
- the radiators must not have been connected to the sanitary water system;

In case of using antifreeze, it should never be used pure, but it has to be diluted before including in the heating system.

When you use anti-corrosion, it has to be compatible with all the material composing the heating elements of the radiator.

In case of preinstalled Cordivari's caps, each alteration of those caps will make decade the warranty of the product. Cordivari will not assume responsibilities for radiator assembled by other people and/even for caps which are not by Cordivari. Cordivari's warranty immediately decodes in case of reparations or modifications on products without the previous agreement of Cordivari.

Heating system should be without any remaining of metals, calamine, grease, and without presence of gas.

Before starting the heating system, make a rinse to cancel any residual from the installation/working.

Warranty will not be valid in case of damages caused by electrical system.

6. Payments

All invoices have to be paid according to agreed deadline. Any delay, even partially may suspend the planned deliveries. Overdue interest could be charged at current rates.

7. Goods' property

Cordivari Srl remains owner of the delivered goods until they are not completely paid. In case of failure to proceed to the payment, Cordivari Srl could ask for immediate restitution of goods and keep the paid partial amount as indemnity. Cordivari Srl can reserve the right to evaluate bigger damages caused by the outstanding amount.

8. Prices

Prices are not binding and can be modified without communication and can be modified on basis of the modifications which could appear before and during delivery. Basically the indicated prices are ex-works, except in case of written agreements. For some voluminous delivery Cordivari may charge some extra-costs.

9. Orders/Delivery

Orders are basically with a minimum amount of EURO 2.000,00. Given orders are binding to the buyer, who acknowledges of all our sales conditions.

Delivery is considered to customer main place/warehouse; for any different destination please get in touch with our sales dept.

10. Court authority

For the following Catalogue and conditions only the provisions of Italian law will be used. For controversy, the Court of Teramo (Italy) shall have exclusive competence. Essential and trial law shall be exclusively Italian.

11. Original version

Being a translation, the Italian language is the only valid language for interpretation and conditions of this catalogue version.

© Copyright Cordivari S.r.l.

All rights such as reproduction, diffusion and translation are reserved. No part of this brochure can be reprinted or reproduced to any other form without a written authorization by Cordivari Srl. The present catalogue substitutes and invalidates all previous editions. Cordivari reserves the right to modify in every moment products and figures reported in the catalogue and has no responsibility for any press mistake.

